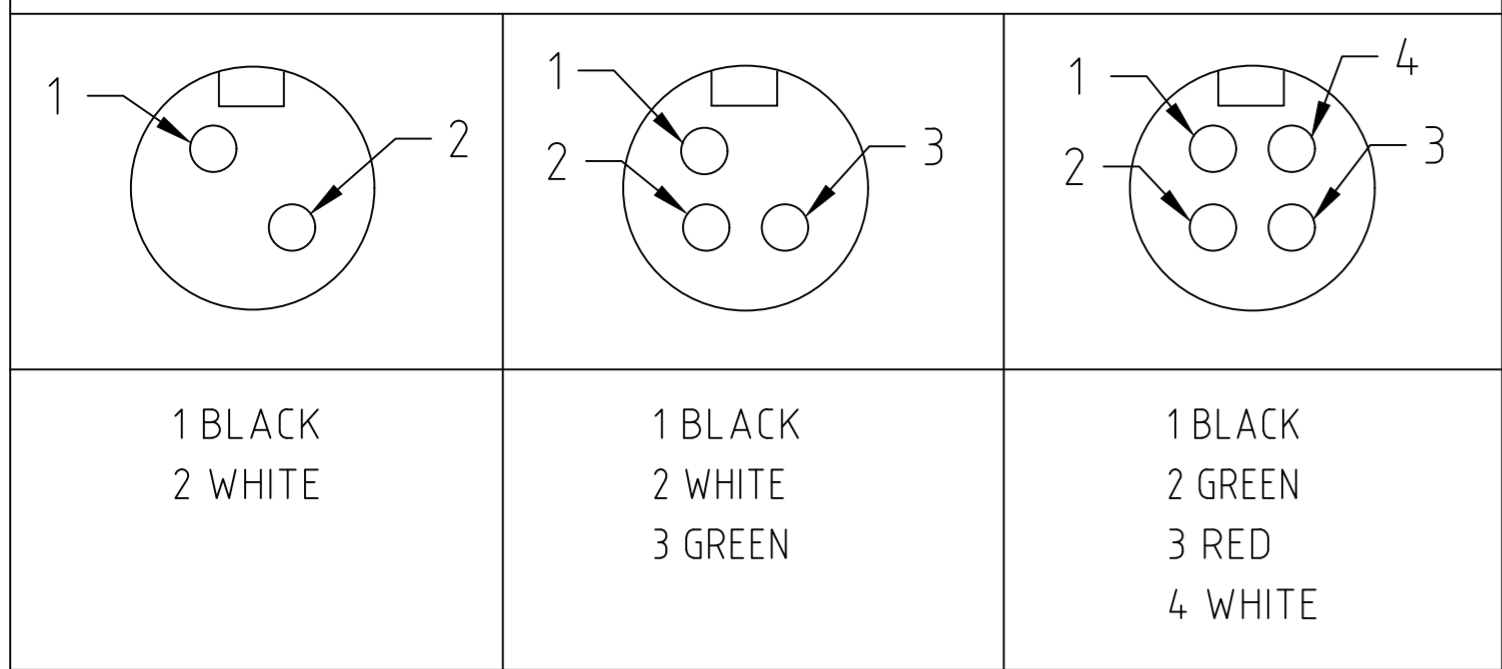
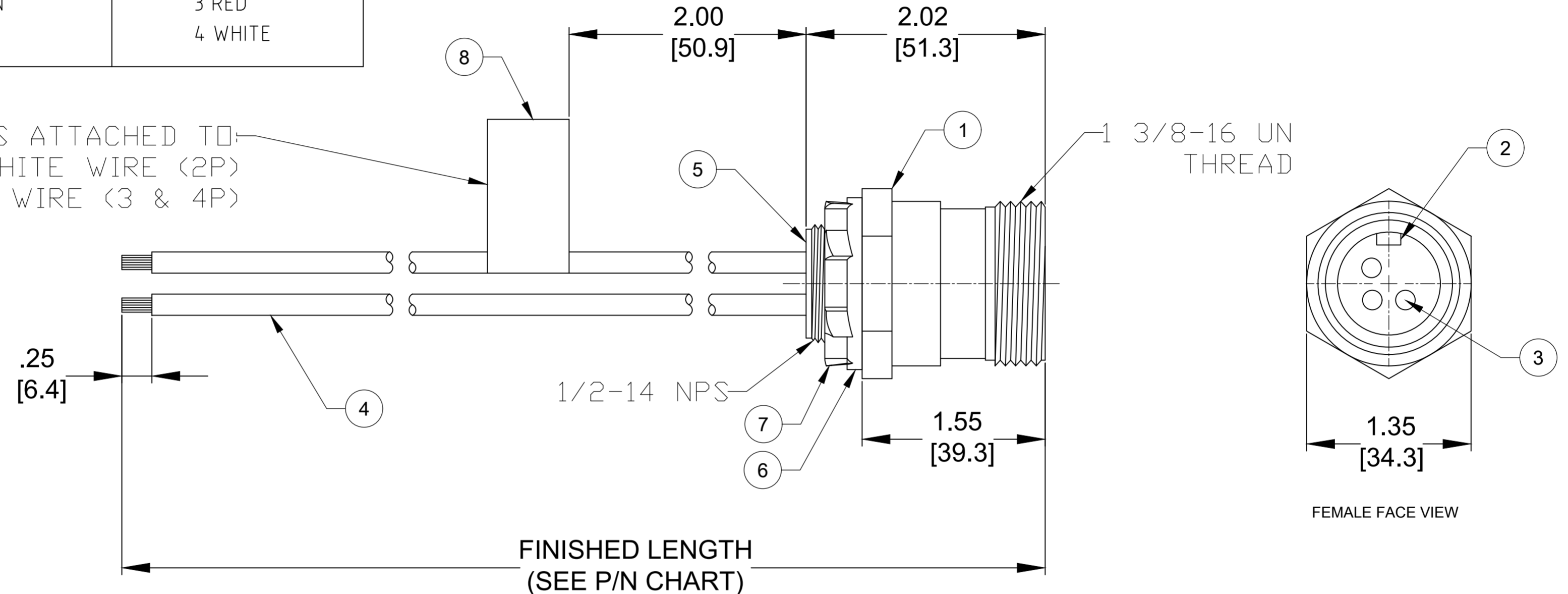


FACE VIEW-FEMALE INSERT



MATERIAL NO.	ENGINEERING NO.	POLES	FINISHED LENGTH
1300030077	6R2004A29A120	2	12IN [305mm]
1300030088	6R3004A29A120	3	12IN [305mm]
1300030089	6R3004A29F030	3	3.0FT [0.9M]
1300030055	32682	4	12IN [305mm]
1300030124	6R4004A29A120	4	12IN [305mm]
1300030128	6R4004A29F060	4	6.0 FT. [1.8M]

LABEL IS ATTACHED TO:
WHITE WIRE (2P)
GREEN WIRE (3 & 4P)



- NOTES:
- MATERIAL: AS NOTED
 - FINISH: AS NOTED
 - ELECTRICAL:
VOLTAGE: 600V AC/DC
CURRENT: 2 & 3 POLE: 25A
4 POLE: 20A
 - TEMP RATING: -20°C TO +105°C
 - PROTECTION: IP67 (WHEN MATED)
 - COUPLING THREAD: AS NOTED
 - UL CERTIFIED FILE: E46237
CSA CERTIFIED FILE: LR6837
 - ALL DIMS ARE FOR REFERENCE UNLESS TOLERANCED OR NOTED OTHERWISE

PART NUMBER LEGEND

6R2004A29A120

POLES 2-4 FINISHED LENGTH:
A120= 12 INCHES
F020= 2 FOOT
F100= 10 FEET
M005= 0.5 METER
M010= 1 METER
M100= 10 METER

CABLE LENGTH TOLERANCES

>.3M [1FT]:	+19mm-0 [+ .75in-0]
.3 - .9M [1 - 3FT]:	+44.5mm-0 [+1.75in-0]
.9 - 1.8M [3 - 6FT]:	+55.6mm-0 [+2.19in-0]
1.8 - 3.7M [6 - 12FT]:	+88.9mm-0 [+3.50in-0]
3.7 - 7.3M [12 - 24FT]:	+165.1mm-0 [+6.50in-0]
7.3-14.6M [24 - 48FT]:	+317.5mm-0 [+12.50in-0]
14.6 - 30.5M [48-100FT]:	+622.3mm-0 [+24.50in-0]
OVER 30M [100FT]	+2% OF FINISHED LENGTH

ITEM	DESCRIPTION	MATERIAL	FINISH
8	WRAP LABEL	VINYL	BLACK/YELLOW
7	LOCK NUT	STEEL	ZINC PLATED
6	GASKET SEAL	NEOPRENE	BLACK
5	POTTING MATERIAL	EPOXY	
4	WIRE, 12 AWG, UL 1015	PVC INSULATION	SEE FACE VIEWS
3	CONTACT SOCKET	COPPER ALLOY	GOLD PLATED
2	FEMALE INSERT	RUBBER	YELLOW
1	RECPTACLE SHELL	NYLON	BLACK

THIS DRAWING CONTAINS INFORMATION THAT IS PROPRIETARY TO MOLEX ELECTRONIC TECHNOLOGIES, LLC AND SHOULD NOT BE USED WITHOUT WRITTEN PERMISSION

SYMBOLS	DIMENSION UNITS: INCH/MM	SCALE: 1:1	CURRENT REV DESC: RELEASED
▽ = 0	GENERAL TOLERANCES (UNLESS SPECIFIED)		EC NO: 625795
▽ = 0	mm	INCH	
▽ = 0	4 PLACES ±----	±----	DRWN: RSTONE 2019/09/30
▽ = 0	3 PLACES ±----	±----	CHK'D: MZIELINSKI 2019/10/16
▽ = 0	2 PLACES ±----	±----	APPR: BWOODMAN 2019/10/25
▽ = 0	1 PLACE ±----	±----	INITIAL REVISION:
▽ = 0	0 PLACES ±----	±----	DRWN: RSTONE 2019/09/30
▽ = 0	ANGULAR TOL ± ---- °		APPR: BWOODMAN 2019/10/25
▽ = 0	DRAFT WHERE APPLICABLE MUST REMAIN WITHIN DIMENSIONS	THIRD ANGLE PROJECTION	DRAWING: C-SIZE
▽ = 0			SERIES: 130003

DOCUMENT NUMBER	DOC TYPE	DOC PART	REVISION
1300030077	PSD	000	A
MATERIAL NUMBER	CUSTOMER	SHEET NUMBER	
SEE MAT. NO. CHART	----	1 OF 1	