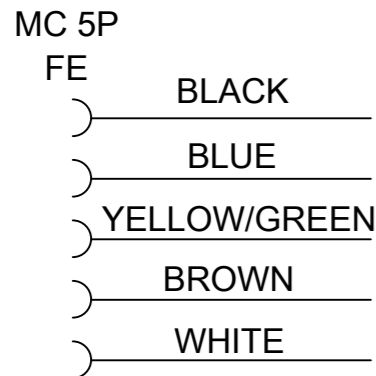
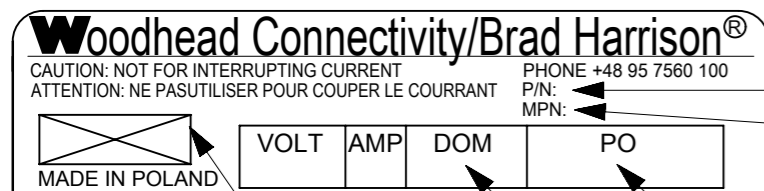


WIRING DIAGRAM



LABEL PRINTING



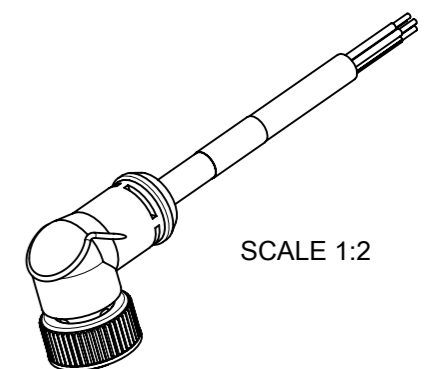
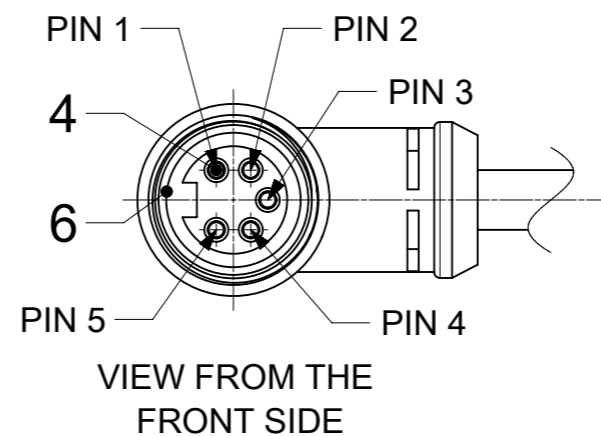
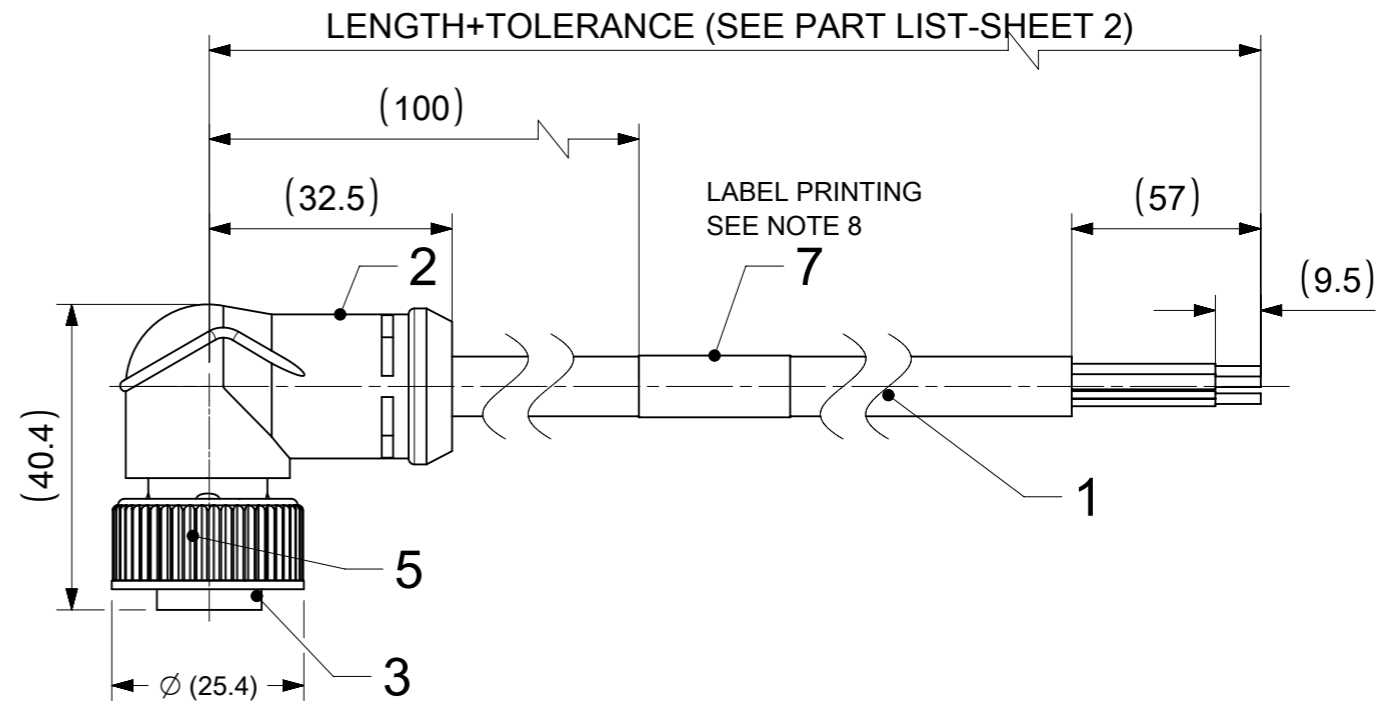
ENGINEERING NO.
MOLEX PN

PO NO.
PRODUCT. DATE

CERTIFICATION SYMBOLS

NOTES:

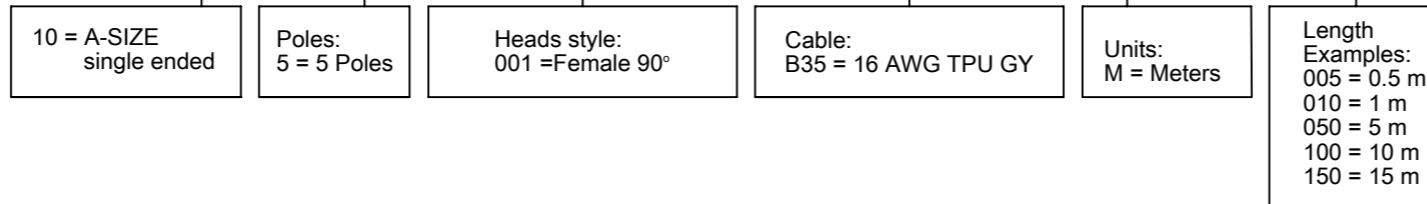
1. MATERIAL: AS NOTED
2. FINISH: AS NOTED
3. ELECTRICAL:
VOLTAGE: 600 V
CURRENT: 10 A
4. TEMPERATURE RATING:
STATIC: -40 °C TO 90 °C
DYNAMIC: -25 °C TO 80 °C
5. PROTECTION: IP67 (WHEN MATED)
6. UL CERTIFICATION: UL LISTED, FILE NO. E152210
7. BOM, PART LIST AND MATRIX - SEE SHEET 2
8. LABEL PRINTING ACC. STANDARD LABEL INSTRUCTION



FUNCTIONAL SYMBOLS	THIS DRAWING CONTAINS INFORMATION THAT IS PROPRIETARY TO MOLEX ELECTRONIC TECHNOLOGIES, LLC AND SHOULD NOT BE USED WITHOUT WRITTEN PERMISSION		<p>molex</p> <p>CSE MC 5P A-SIZE FE RA XM PUR SE</p> <p>PRODUCT CUSTOMER DRAWING</p>				
	<p>∇A = 0</p> <p>∇E = 0</p> <p>∇V = 0</p>	<p>mm</p> <p>SCALE 1:1</p> <p>GENERAL TOLERANCES (UNLESS SPECIFIED)</p> <p>ANGULAR TOL ± 1.0°</p> <p>4 PLACES ±</p> <p>3 PLACES ±</p> <p>2 PLACES ± 0.05</p> <p>1 PLACE ± 0.3</p> <p>0 PLACES ± 0.5</p>					<p>CURRENT REV DESC: NOTES UPDATED, LABEL PRINTING ADDED</p> <p>EC NO: 747270</p> <p>DRWN: RSCHIEBER 2023/04/20</p> <p>CHK'D: RSILLER 2023/04/27</p> <p>APPR: RSILLER 2023/04/27</p> <p>INITIAL REVISION:</p> <p>DRWN: RSTONE 2013/12/09</p> <p>APPR: JFMURPHY 2013/12/16</p>
DIVISIONAL SYMBOLS	<p>DRAFT WHERE APPLICABLE MUST REMAIN WITHIN DIMENSIONS</p>	<p>THIRD ANGLE PROJECTION</p>	<p>DRAWING</p> <p>A3-SIZE</p>	<p>SERIES</p> <p>130006</p>	<p>MATERIAL NUMBER</p> <p>SEE SHEET 2</p>	<p>CUSTOMER</p> <p>GENERAL MARKET</p>	<p>SHEET NUMBER</p> <p>1 OF 2</p>

PART No. MATRIX

1 0 5 0 0 1 B 3 5 M X X X



PART LIST

MOLEX PN	ENGINEERING NO.	L + Tol. [mm]
1300068174	105001B35M020	2000 + 89
1300068175	105001B35M050	5000 + 165
1300068176	105001B35M100	10000 + 317
1300068177	105001B35M200	20000 + 610
1300068178	105001B35M300	30000 + 610
1300068274	105001B35M010	1000 +56

BILL OF MATERIAL

ITEM	QTY	DESCRIPTION	MATERIAL	FINISH/COLOR
7	1	LABEL	VINYL	YELLOW
6	1	FRICTION RING	NYLON	-
5	1	COUPLINGNUT	ZINC DIE-CAST	BLACK E-COAT
4	5	FEMALE CONTACT	Cu ALLOY	GOLD OVER NICKEL
3	1	INSERT	PUR	BLACK
2	-	OVERMOLD	TPE	BLACK
1	-	CABLE 16AWG OD=8.5mm	TPU	GRAY
DOCUMENT STATUS	P1	RELEASE DATE	2023/04/27	12:11:50

FUNCTIONAL SYMBOLS $\nabla/A = 0$ $\nabla/E = 0$ $\nabla/P = 0$	THIS DRAWING CONTAINS INFORMATION THAT IS PROPRIETARY TO MOLEX ELECTRONIC TECHNOLOGIES, LLC AND SHOULD NOT BE USED WITHOUT WRITTEN PERMISSION	CURRENT REV DESC: NOTES UPDATED, LABEL PRINTING ADDED					
	DIMENSION UNITS	SCALE	EC NO: 747270				
	mm	1:1	DRWN: RSCHIEBER 2023/04/20		CSE MC 5P A-SIZE FE RA XM PUR SE		
	GENERAL TOLERANCES (UNLESS SPECIFIED)		CHK'D: RSILLER 2023/04/27		PRODUCT CUSTOMER DRAWING		
ANGULAR TOL ± 1.0 °		APPR: RSILLER 2023/04/27		DOCUMENT NUMBER			
4 PLACES ±		INITIAL REVISION:		DOC TYPE			
3 PLACES ±		DRWN: RSTONE 2013/12/09		DOC PART			
2 PLACES ± 0.05		APPR: JFMURPHY 2013/12/16		REVISION			
1 PLACE ± 0.3		SERIES		SD-130006-051			
0 PLACES ± 0.5		MATERIAL NUMBER		PSD 001 A4			
DRAFT WHERE APPLICABLE MUST REMAIN WITHIN DIMENSIONS		THIRD ANGLE PROJECTION		CUSTOMER			
		DRAWING		SEE SHEET 2			
		A3-SIZE		GENERAL MARKET			
		SERIES		SHEET NUMBER			
		130006		2 OF 2			