

Housing screw connection - SACC-M12-SCO PLUG L90 - 1436709

Please be informed that the data shown in this PDF Document is generated from our Online Catalog. Please find the complete data in the user's documentation. Our General Terms of Use for Downloads are valid (<http://phoenixcontact.com/download>)




M12-SPEEDCON housing screw connection for M12 male inserts, with flat gasket, for all Speedcon-compatible THR and wave soldering contact carriers

Your advantages

- ✓ Easy device integration, thanks to mechanical port screw connections with threaded fastening
- ✓ Flexible PCB assembly: two-piece connectors for wave and THR soldering
- ✓ SPEEDCON fast locking system reduces cabling times



Key Commercial Data

Packing unit	10 pc
Minimum order quantity	10 pc
GTIN	 4 046356 438773
GTIN	4046356438773

Technical data

Ambient conditions

Ambient temperature (operation)	-25 °C ... 85 °C (Plug / socket)
	-40 °C ... 85 °C (without mechanical actuation)

General

Standards/regulations	IEC 61076-2-101
Mounting type	M12 x 1

Material

Material	Zinc die-cast (nickel-plated)
Sealing material	FKM

Cable

Standards/specifications	IEC 61076-2-101
Ambient temperature (operation)	-40 °C ... 85 °C (cable, fixed installation)

Housing screw connection - SACC-M12-SCO PLUG L90 - 1436709

Technical data

Cable

	-25 °C ... 85 °C (cable, flexible installation)
--	---

Standards and Regulations

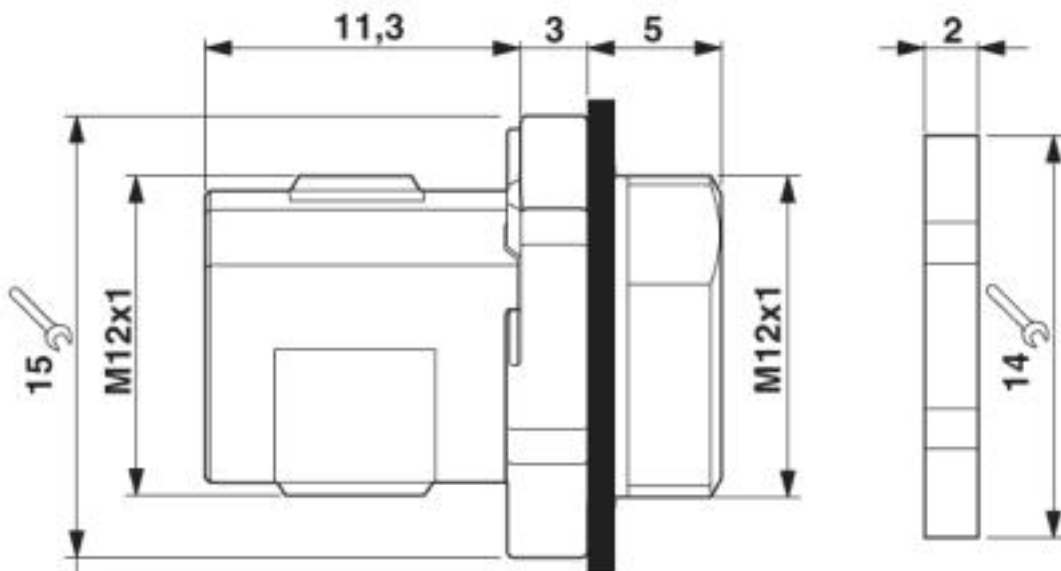
Standards/regulations	IEC 61076-2-101
-----------------------	-----------------

Environmental Product Compliance

	Lead 7439-92-1
China RoHS	Environmentally Friendly Use Period = 50
	For details about hazardous substances go to tab "Downloads", Category "Manufacturer's declaration"

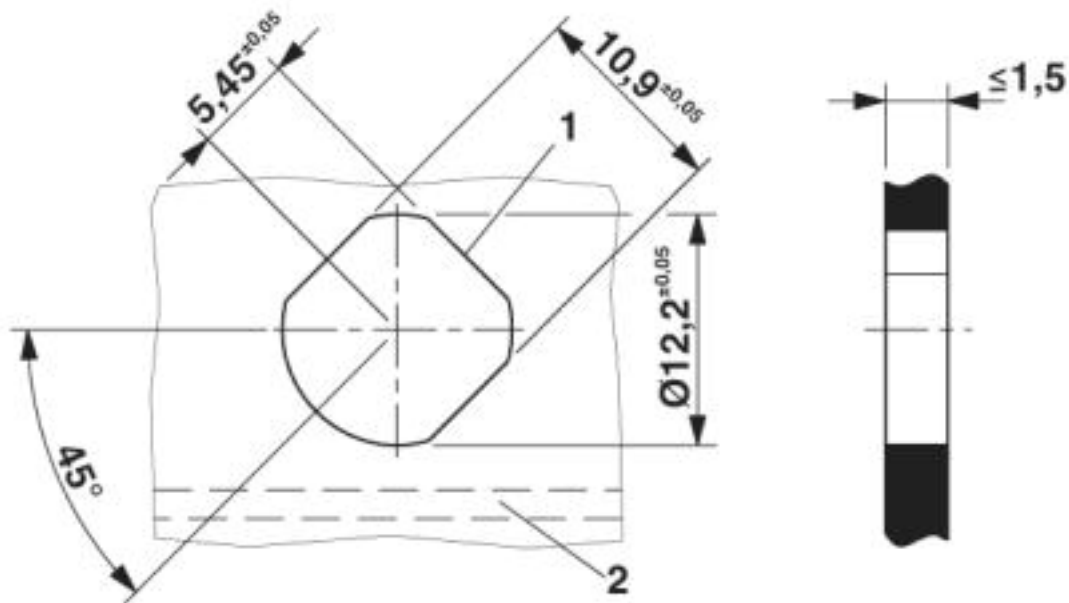
Drawings

Dimensional drawing



Housing screw connection - SACC-M12-SCO PLUG L90 - 1436709

Dimensional drawing



Housing cutout for M12 fastening thread, mounting panel with feed-through hole (alternative with surface as protection against rotation)

Approvals

Approvals

Approvals

EAC

Ex Approvals

Approval details

EAC		B.01742
-----	--	---------

Phoenix Contact 2019 © - all rights reserved
<http://www.phoenixcontact.com>

PHOENIX CONTACT GmbH & Co. KG
Flachmarktstr. 8
32825 Blomberg
Germany
Tel. +49 5235 300
Fax +49 5235 3 41200
<http://www.phoenixcontact.com>