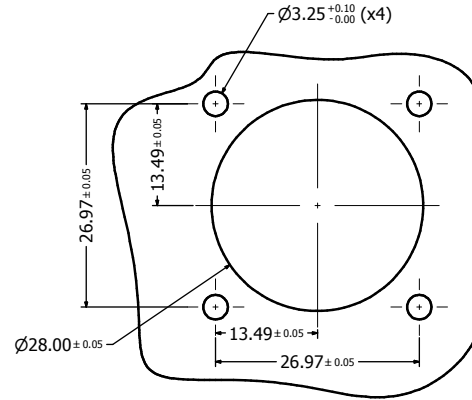
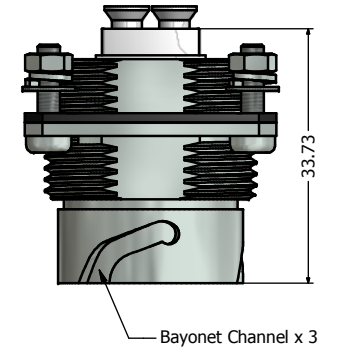


Recommended Double-D Panel Cutout

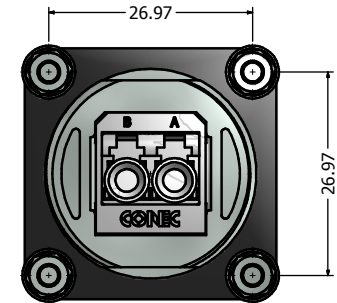
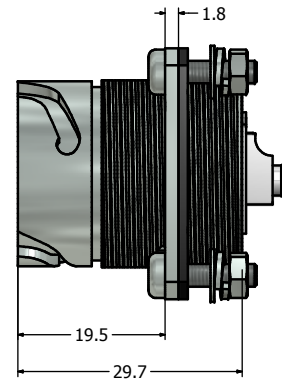
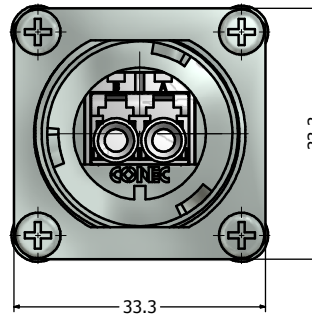


Recommended Round Panel Cutout



**Notes:**

- Material and Finish:
  - Receptacle Housing: Die-Cast, Nickel Plated
  - Panel Gasket: NBR, Color: Black
  - M3 Mounting Hardware: Stainless Steel includes 4 x (screw + nut + flat washer + spring lock washer)
  - Duplex LC Adaptor Assembly:
    - Housing: Mod. PPO, UL94 V-0, Color: **SM Blue/MM Beige/APC SM Green**
    - Alignment Sleeves: SM Ceramic/MM Phosphor Bronze
    - Dust Cap: PP, Color: Neutral transparent
    - Operating Temperature: -40° C to +85° C
- Connector can be front or rear mounted to a maximum panel thickness of 3.2mm.
- IP67 rated when covered or fully mated with the appropriate mating connector
- Hardware shipped unassembled



Directive 2002/95/EC RoHS Compliant

Description	Part Number
Single Mode (SM)	17-300670
Multi Mode (MM)	17-300680
APC Single Mode (APC SM)	17-300690

THIS DRAWING MAY NOT BE COPIED OR REPRODUCED IN ANY WAY AND MAY NOT BE PASSED ON TO A THIRD PARTY WITHOUT WRITTEN PERMISSION. OWNERSHIP AND COPYRIGHT OF CONEC CORPORATION. <b>DO NOT ALTER CAD DRAWING BY HAND</b>	Customer:			Tolerance Unless otherwise specified 0 PLC ± 0.30 1 PLC ± 0.20 2 PLC ± 0.10 3 PLC ± 0.05 ANGLES ± 1°		Scale:	Dim. in mm
	Name	Title	Approval Date			Material: See Notes	
						Title: IP67 Industrial Duplex LC Receptacle (with Flange) Assembly Kit Nickel Plated Zinc Die-Cast Version	
						Drawing No.: 17K1A326	DIN A3
						Part No.: SEE PART NUMBER TABLE	Sheet 1/1
Rev.	Changes	Date	Name	<b>CONEC</b>			