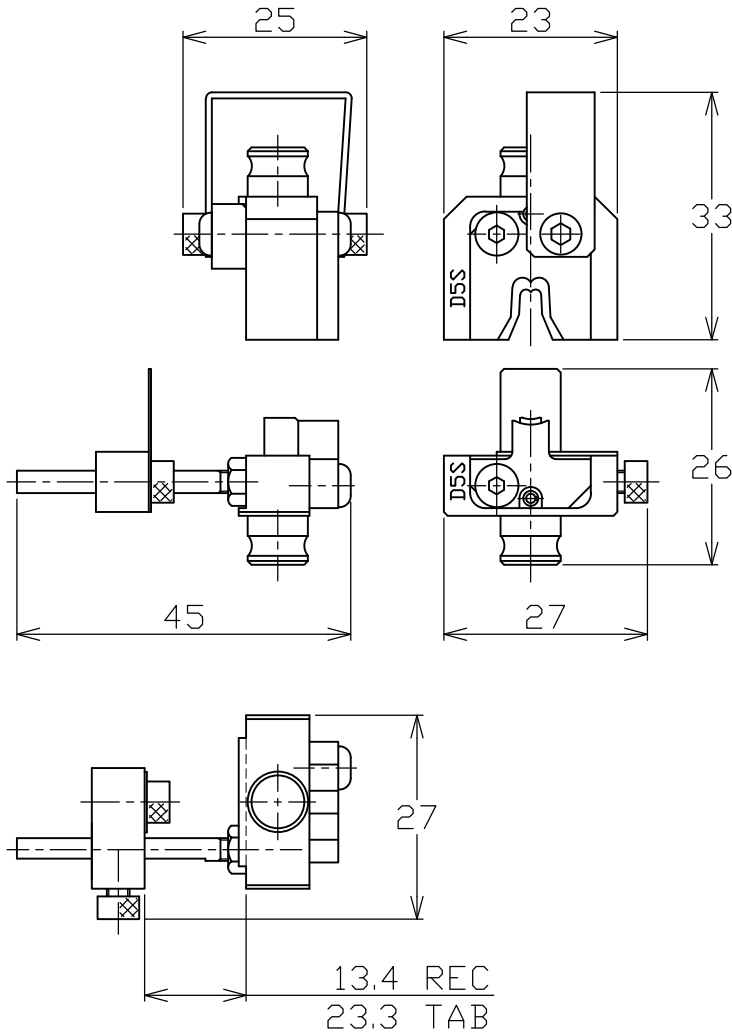


REVISIONS					
P	LTR	DESCRIPTION	DATE	DWN	APVD
	A2	ECR-20-002538	25FEB2020	SN	JS

TERMINAL No.	WIRE SIZE (mm <sup>2</sup> )	AWG#	INS. RANGE (mm)	TERMINAL CH (mm)		APPL. SPEC.
				WIRE	INS.	
316040-2 316040-3 316040-6 917804-2	1.23-2.00	#16	ø3.0-ø3.8	1.81-2.00	3.76-4.52	114-5206
917804-3 917804-6	2.00-2.27	#14		1.81-2.23		



TE Connectivity. All Rights Reserved.

PART No.	REMARKS
2155822-1	D5000-S

DIMENSIONS: mm	DWN	S.NAKA	05NOV2012	MATERIAL	-	FINISH	-					
	CHK	S.NAKA	05NOV2012	TE Connectivity								
TOLERANCES UNLESS OTHERWISE SPECIFIED:	APVD	J.KOGA	05NOV2012					NAME	DIES, D5-S, TE REC-Li60			
	0 PLC ± -	PRODUCT SPEC	-	SIZE	A4	CAGE CODE	00779	DRAWING NO	C-2155822	RESTRICTED TO	-	
1 PLC ± -	APPLICATION SPEC	SEE TABLE	WEIGHT	Approx. 72g	CUSTOMER DRAWING			SCALE	1:1	SHEET	1 of 1	
2 PLC ± -											REV	A2
3 PLC ± -												
4 PLC ± -												
ANGLES ± -												

