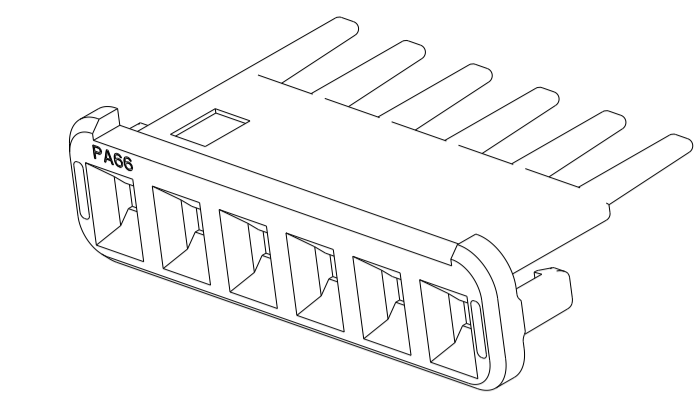
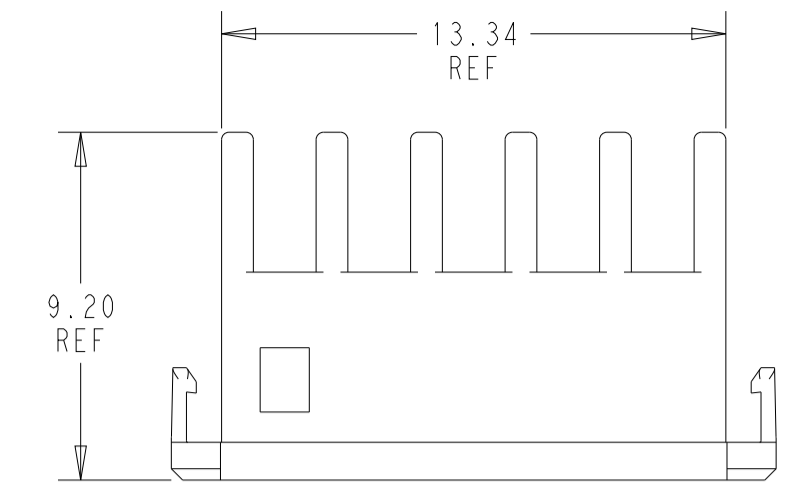
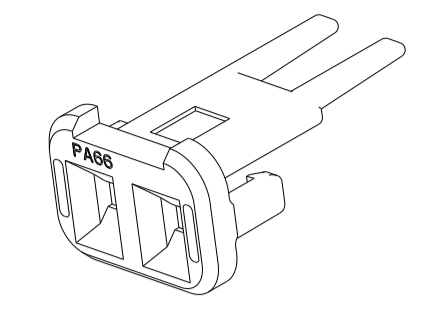
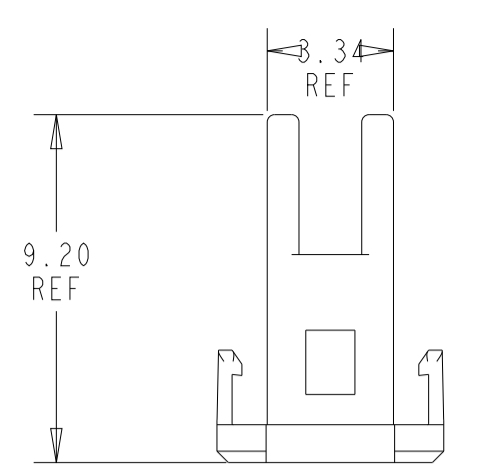


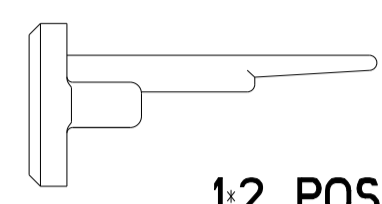
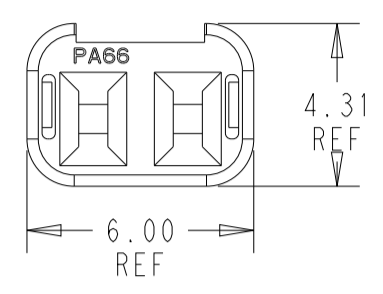
REVISIONS				
P	LTN	DESCRIPTION	DATE	APVD
A1		REVISED PER ECR-23-166340	08FEB2023	SK DZ



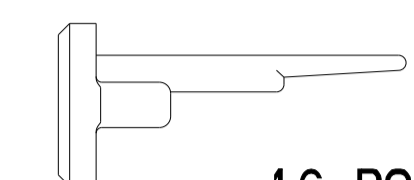
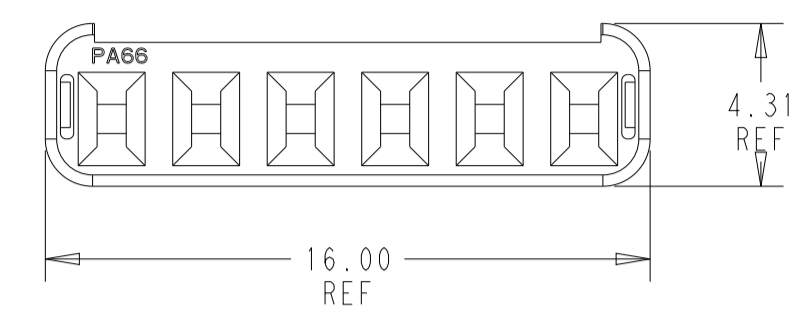
△ MATERIAL: NYLON  
COLOR: BLACK

2. MATING CONNECTOR P/N'S:  
PLUG HSG: 2321916-\*/\*-2329540-\*/\*-2443729-\*

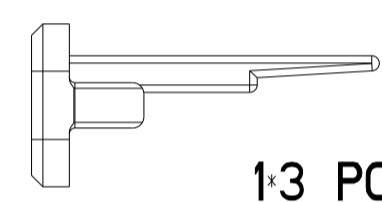
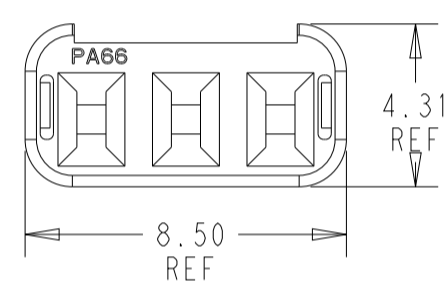
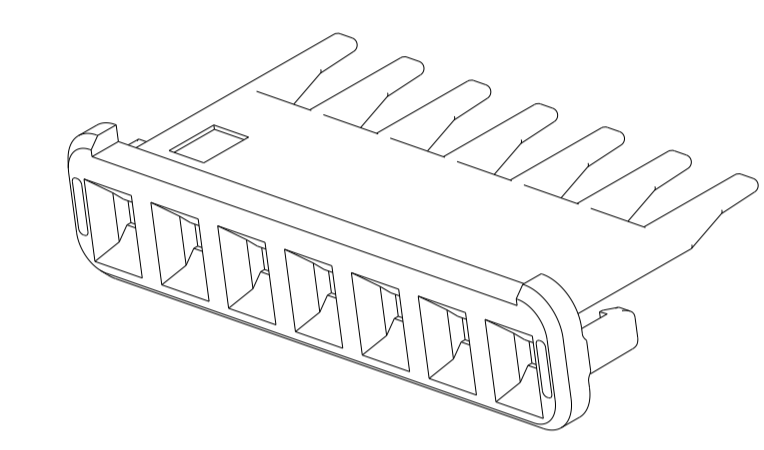
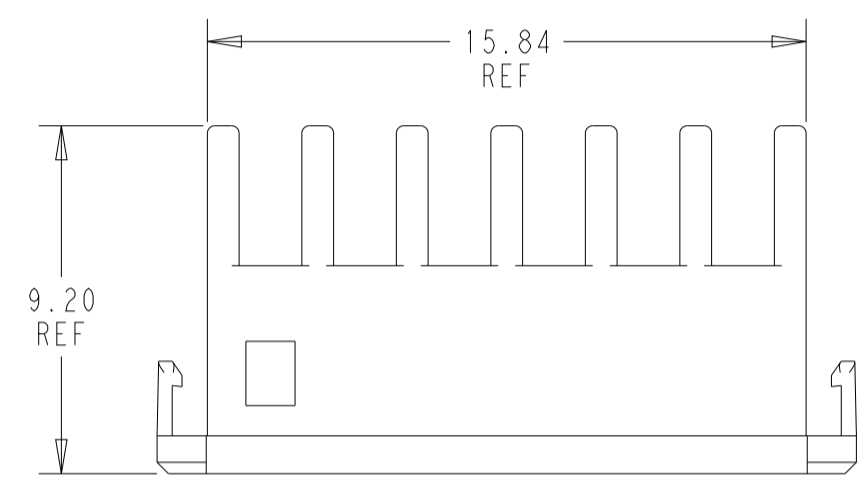
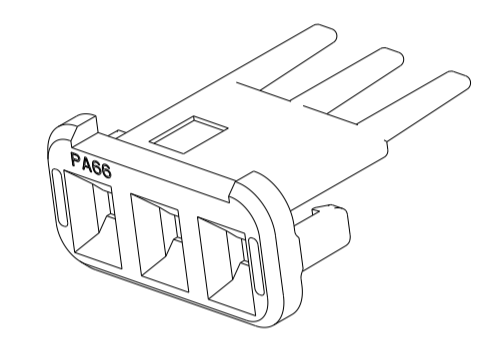
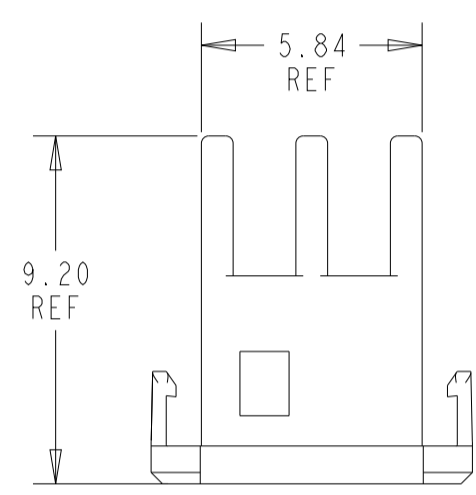
△ PRELIMINARY PART - NOT RELEASED FOR PRODUCTION



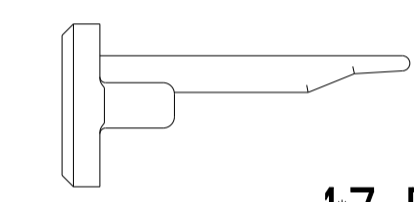
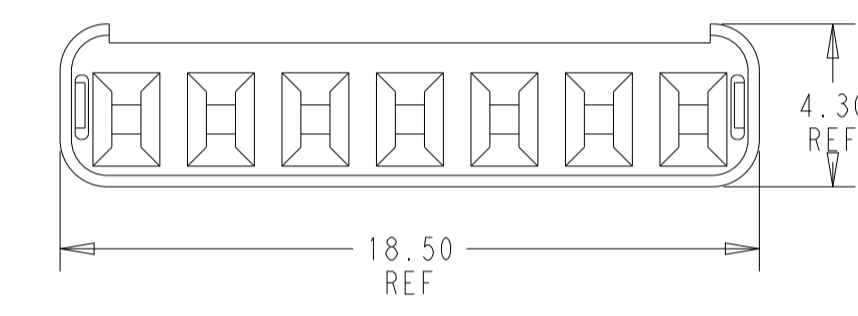
1:2 POSITION



1:6 POSITION

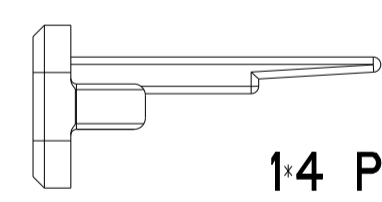
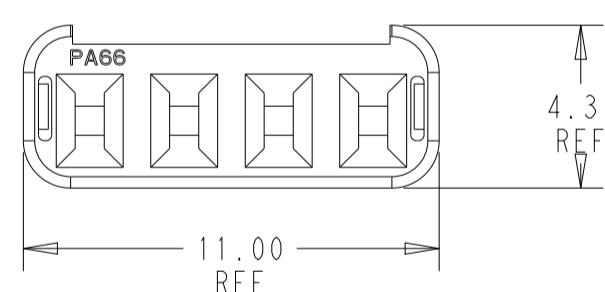
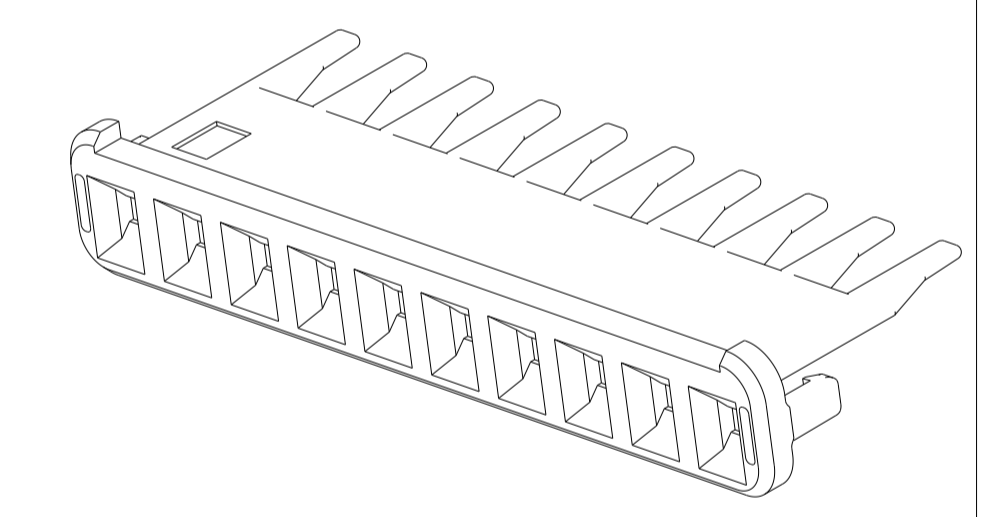
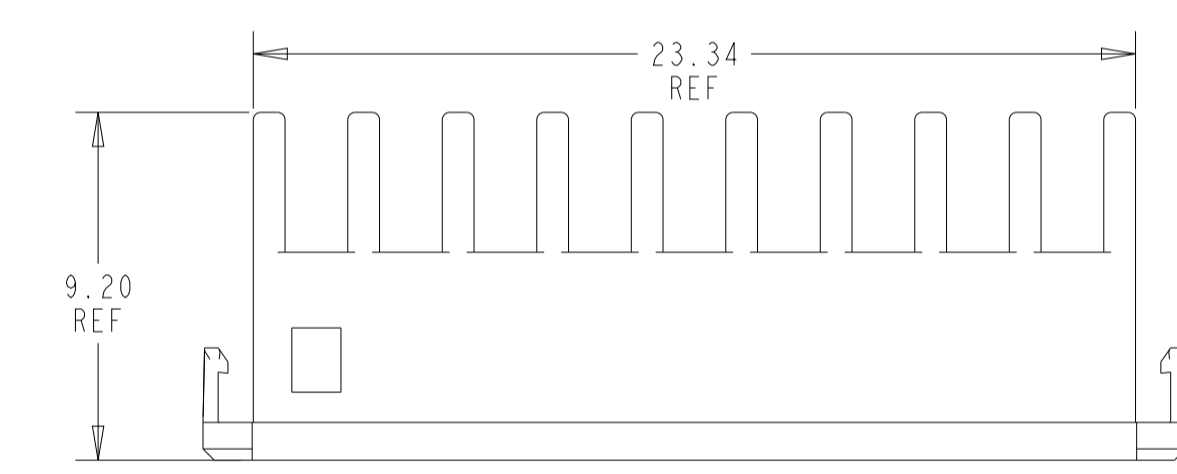
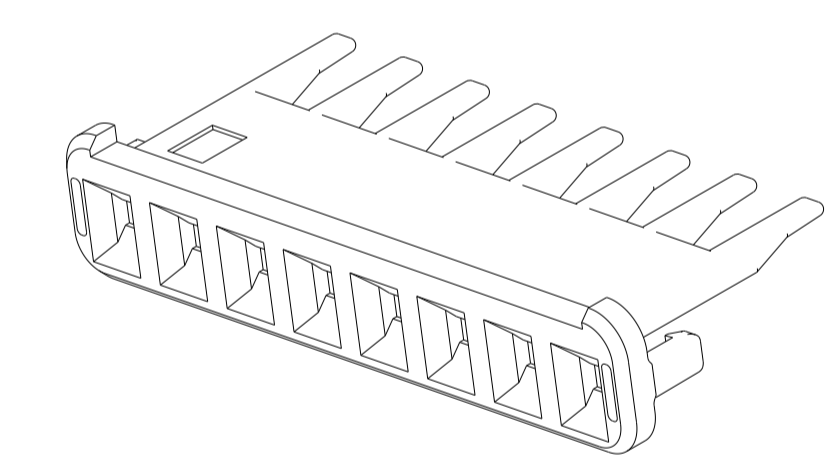
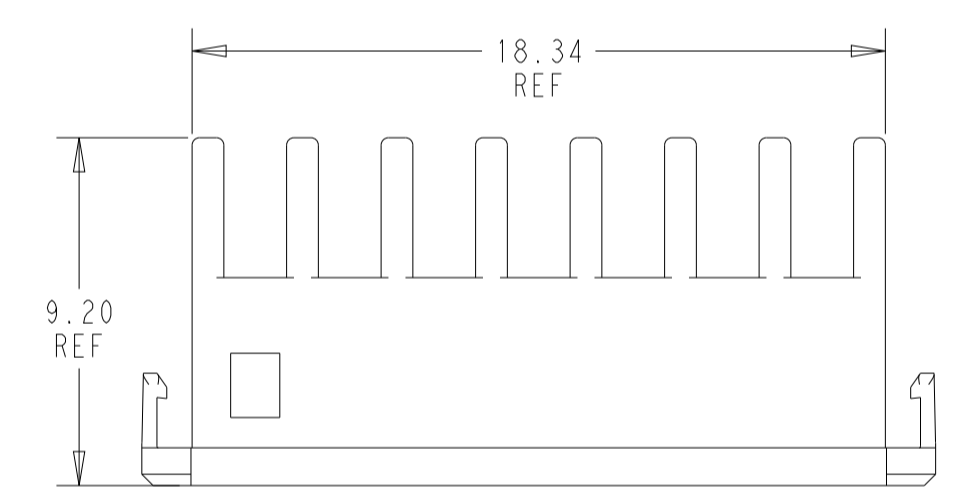
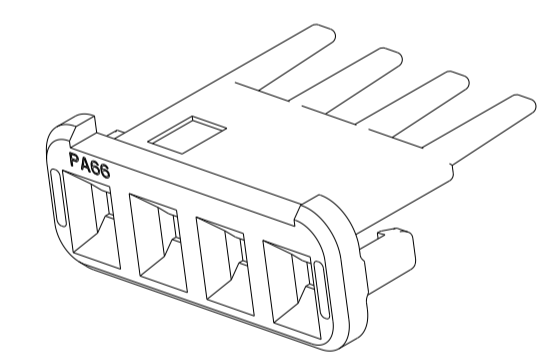
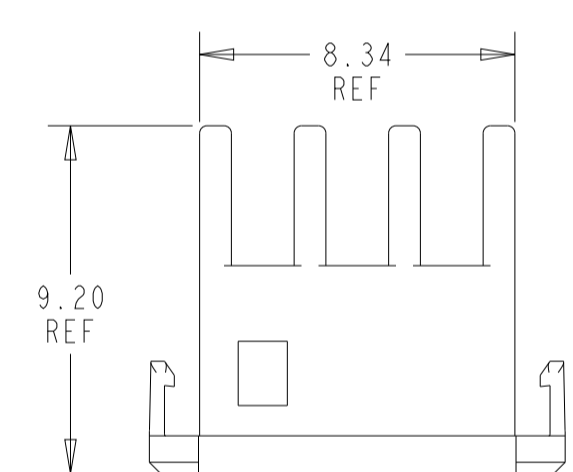


1:3 POSITION

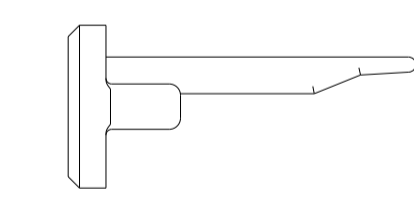
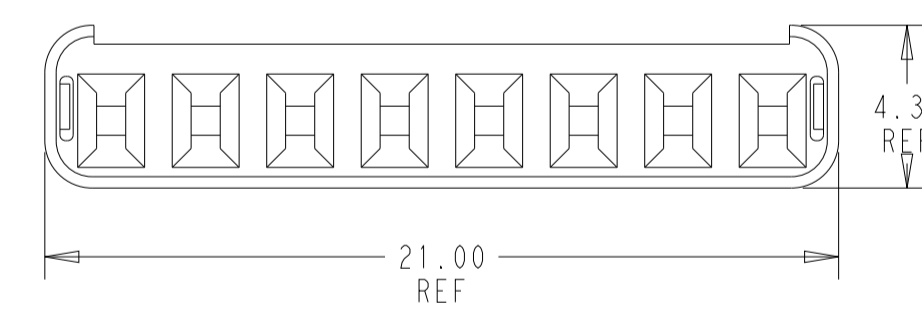


1:7 POSITION

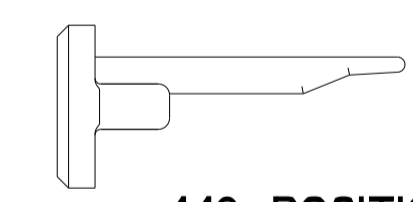
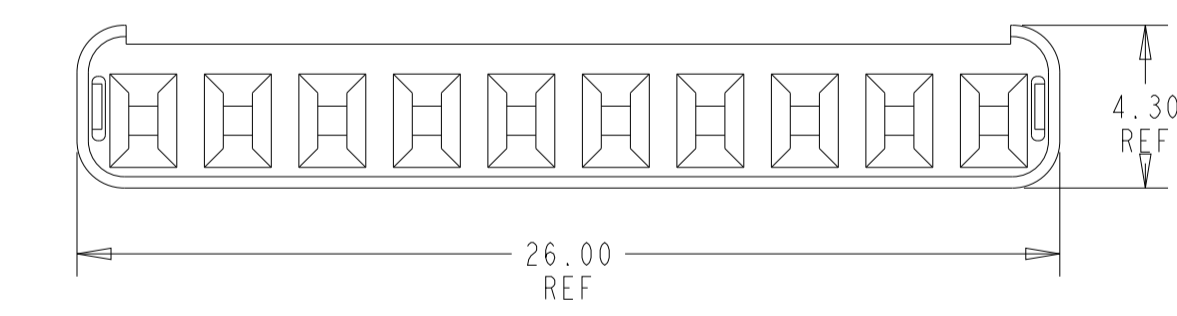
SCALE 5:1



1:4 POSITION

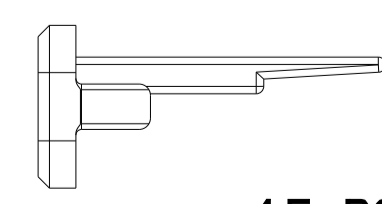
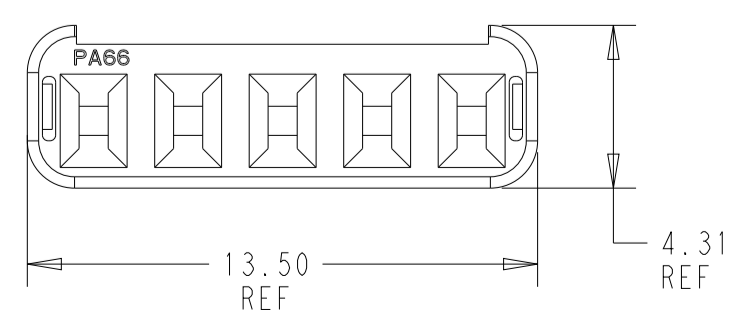
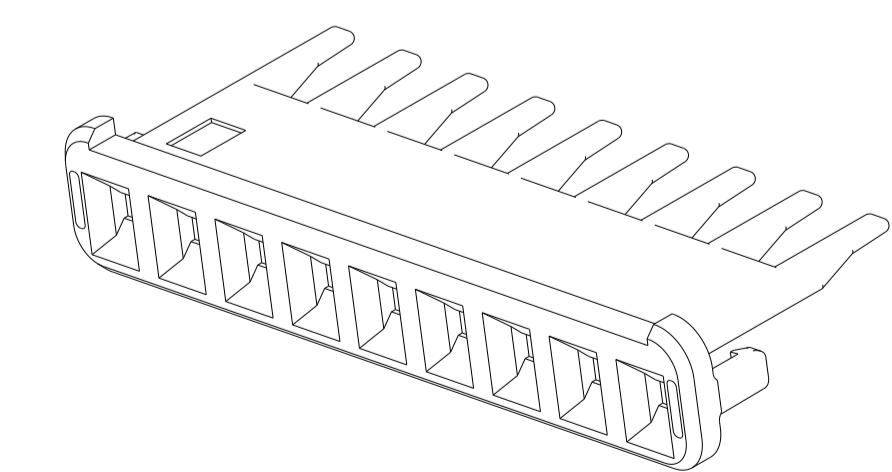
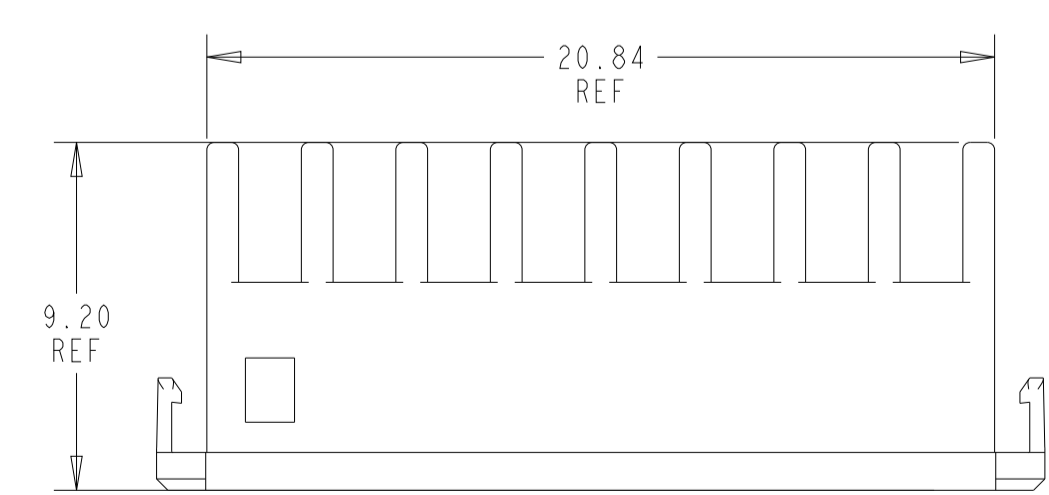
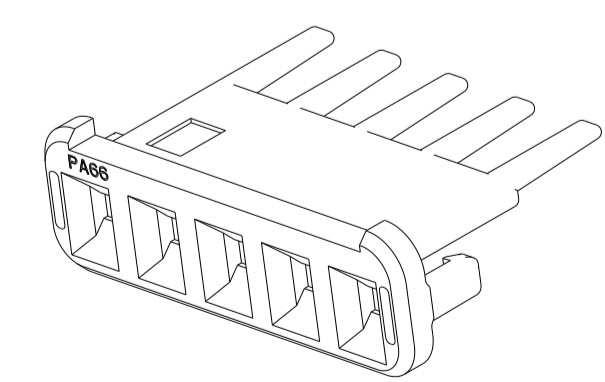
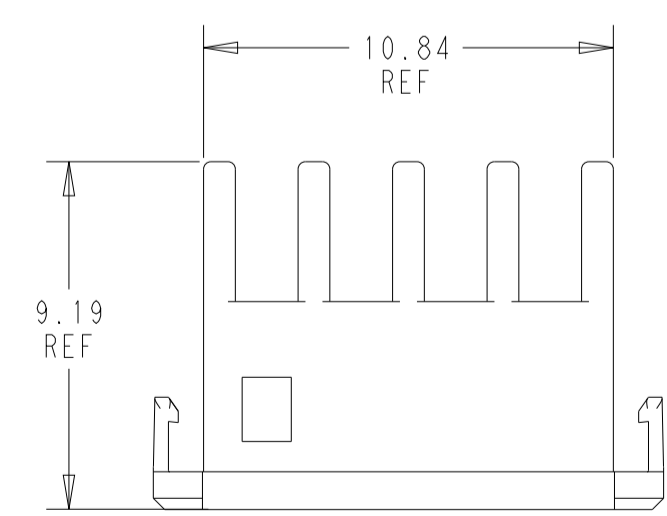


1:8 POSITION

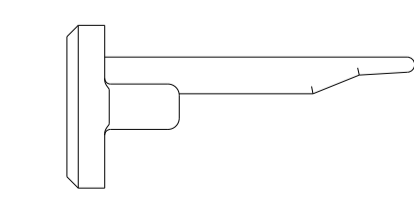
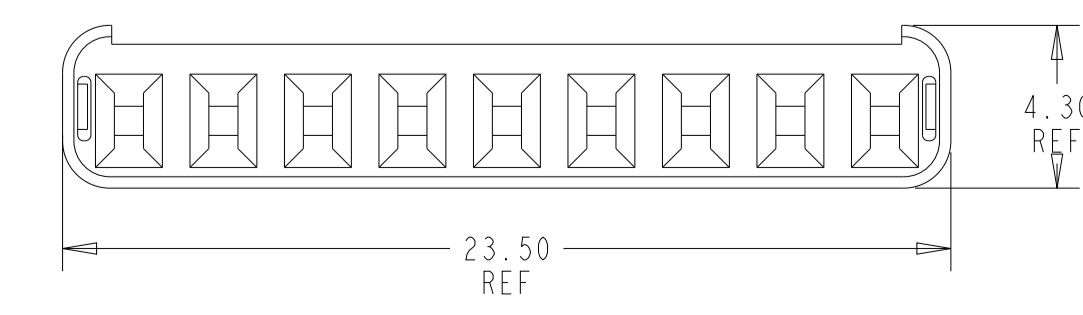


1:10 POSITION

SCALE 5:1



1:5 POSITION



1:9 POSITION

1*10	△	1-2321919-0
1*9	△	2321919-9
1*8	△	2321919-8
1*7	△	2321919-7
1*6		2321919-6
1*5		2321919-5
1*4		2321919-4
1*3		2321919-3
1*2		2321919-2
POSITION		PART NUMBER

THIS DRAWING IS A CONTROLLED DOCUMENT.

DIMENSIONS:	TOLERANCES UNLESS OTHERWISE SPECIFIED:	OWN: B. WEAVER 05FEB2019	CHK: C. YI 05FEB2019	APVD: C. YI 05FEB2019	NAME: FRONT TPA, PLUG, SDL 2.5 WATERPROOF
mm	0 PLC ± 1 PLC ± 2 PLC ± 3 PLC ± 4 PLC ± ANGLES ±	PRODUCT SPEC	APPLICATION SPEC	SIZE	CAGE CODE
MATERIAL	FINISH	WEIGHT	CUSTOMER DRAWING	A1 00779	©=2321919
				SCALE 5:1	SHEET 1 OF 1

RESTRICTED TO REV A1