

1. 製品名称／PRODUCT NAME : IGRID 2.0 W/B DUAL ROW VERTICAL DIP PLUG ASSY

製品番号／PART NUMBER : 5 0 3 0 9 1 - * * * 2 ☆

(* * は極数を示す。 ☆ は色を示す。)

(* * SHOWS CIRCUITS SIZE, ☆ SHOWS COLOR.)

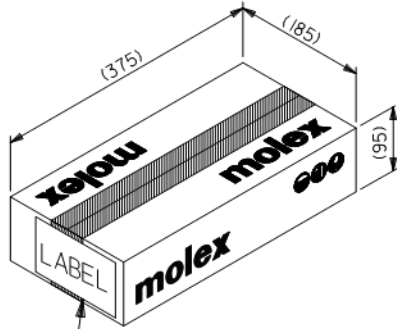
2. 標準梱包数／STANDARD PACK QUANTITY

極 数 CKT. SIZE	プラスチックトレイ (7 列) PLASTIC TRAY (7 ROWS)	内装カートン PRIMARY CARTON		外装カートン SHIPPING CARTON
	1 トレイ 製品数 QTY. IN ONE TRAY	トレイ枚数 NUMBER OF TRAYS	製品数 QUANTITY	製品数 (内装カートン×4) QUANTITY (PRIMARY CARTON X4)
10	180	7	1,260	5,040
12	150	7	1,050	4,200
14	140	7	980	3,920
16	110	7	770	3,080
18	110	7	770	3,080
20	90	7	630	2,520
22	90	7	630	2,520
24	80	7	560	2,240
26	70	7	490	1,960
28	70	7	490	1,960
30	70	7	490	1,960
32	60	7	420	1,680
34	50	7	350	1,400
36	50	7	350	1,400
38	50	7	350	1,400
40	45	7	315	1,260

THIS DOCUMENT CONTAINS INFORMATION THAT IS PROPRIETARY TO MOLEX ELECTRONIC TECHNOLOGIES, LLC AND SHOULD NOT BE USED WITHOUT WRITTEN PERMISSION

REVISION DESCRIPTION	REVISED	SALES PACKAGING SPEC. FOR 503091					
CHANGE NO.	702805						
REVISED BY	YTOKUZONO	DATE	2022/04/08	DOC TYPE	DOC TYPE DESCRIPTION	DOC PART	SERIES
REV APPR BY	KTAKAHASHI	DATE	2022/04/11	PS	ENGINEERING SPECIFICATION WORD	200	503091
INITIAL RELEASE				CUSTOMER	DOCUMENT NUMBER	REVISION	SHEET
INITIAL DRWN	TNAKAGAWA01	DATE	2018/03/30	GENERAL	5030919200-SPK	C	1 OF 2
INITIAL APPR	MSASAO	DATE	2018/03/30				

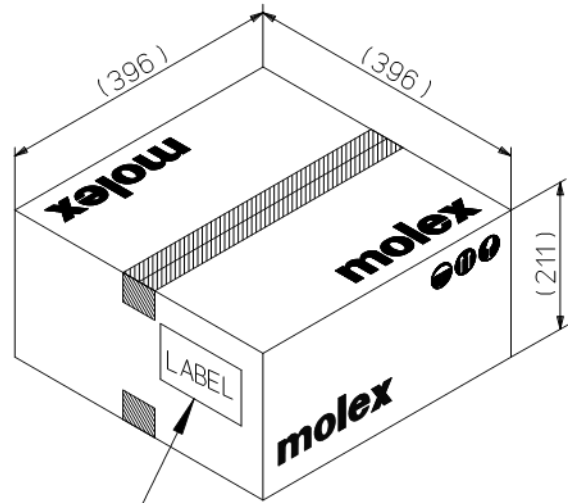
3. カートン外形参考寸法 / CARTON OUTER DIMENSIONS (REFERENCE PURPOSE ONLY) 単位 / UNIT: mm



カートンラベル
CARTON LABEL

(製品型番, 数量, ロットNO. 表示)
INDICATION OF PART No., QUANTITY, LOT No.

内装カートン
PRIMARY CARTON



カートンラベル
CARTON LABEL

(製品型番, 数量, ロットNO. 表示)
INDICATION OF PART No., QUANTITY, LOT No.

外装カートン
SHIPPING CARTON

THIS DOCUMENT CONTAINS INFORMATION THAT IS PROPRIETARY TO MOLEX ELECTRONIC TECHNOLOGIES, LLC AND SHOULD NOT BE USED WITHOUT WRITTEN PERMISSION

REVISION DESCRIPTION	REVISED	SALES PACKAGING SPEC. FOR 503091					
CHANGE NO.	702805						
REVISED BY	YTOKUZONO	DATE	2022/04/08	DOC TYPE	DOC TYPE DESCRIPTION	DOC PART	SERIES
REV APPR BY	KTAKAHASHI	DATE	2022/04/11	PS	ENGINEERING SPECIFICATION WORD	200	503091
INITIAL RELEASE				CUSTOMER	DOCUMENT NUMBER	REVISION	SHEET
INITIAL DRWN	TNAKAGAWA01	DATE	2018/03/30	GENERAL	5030919200-SPK	C	2 OF 2
INITIAL APPR	MSASAO	DATE	2018/03/30				