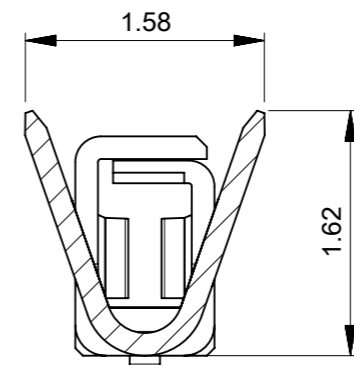
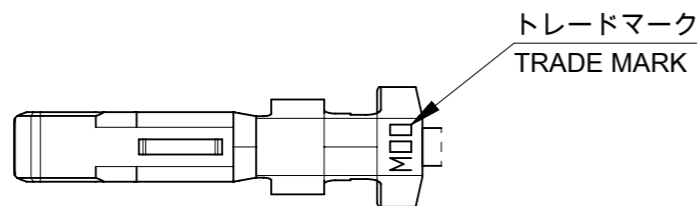
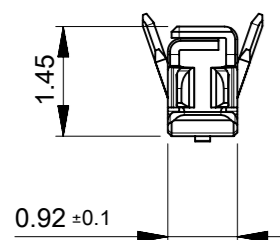
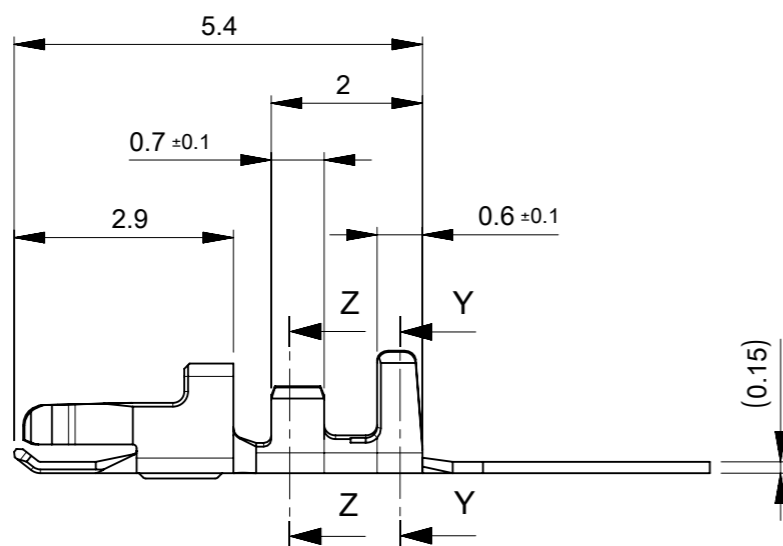
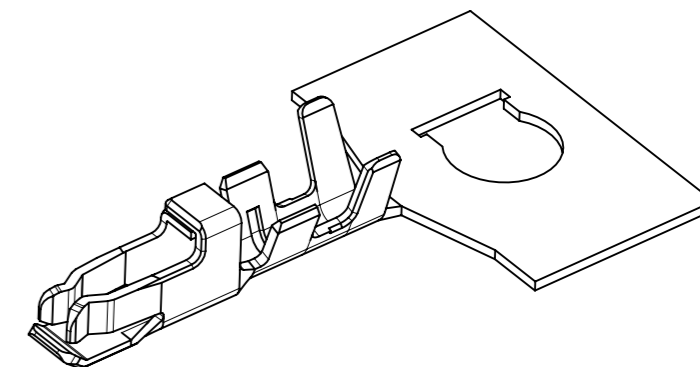


SECTION Z-Z



SECTION Y-Y



注記 NOTES

- 1 材料及び仕上げ(めっき仕様) : TABLE1参照
MATERIAL AND FINISHED(PLATING SPECIFICATION) : SEE TABLE 1
- 2 製品仕様書、コネクタ取扱説明書、適合ハウジング、適合嵌合相手についてはSHEET 2をご参照ください。
PLEASE REFER TO SHEET 2 FOR PRODUCT SPECIFICATION, APPLICATION SPECIFICATION APPLICABLE HOUSING, MATE WITH.
- 3 本製品は金めっき品である。錫めっき品は5054311000-SD PSD 000をご参照ください。
THIS PRODUCT IS A GOLD PLATING. PLEASE REFER TO 5054311000-SD PSD 000 FOR TIN PLATING.
- 4 発注番号
ORDER NUMBER

505431 1*00

番号 NO.	接点部 金めっき厚 CONTACT GOLD PLATING THICKNESS [MICROMETER MINIMUM]
1	0.1
2	0.38
3	0.76

TABLE 1

材質及び仕上げ (めっき仕様) MATERIAL AND FINISHED (PLATING SPECIFICATION)	
銅合金 COPPER ALLOY	
接点部 : 金めっき めっき厚は注記4参照 CONTACT : GOLD PLATING PLATING THICKNESS : SEE NOTE4.	
ニッケルめっき(下地) : 0.5 MICROMETER MINIMUM NICKEL (UNDER PLATING)	
DOCUMENT STATUS	P1
RELEASE DATE	2022/11/30 03:03:42

Φ0.78-1.02mm	AWG#26~30 MM ² : 0.049~0.136	リール REEL	連鎖状 CHAIN	5054311*00
絶縁被覆外径 INSULATION DIAMETER	適用電線範囲 WIRE RANGE	梱包形態 PACKAGING	端子形状 FORM	発注番号 ORDER NUMBER
THIS DRAWING CONTAINS INFORMATION THAT IS PROPRIETARY TO MOLEX ELECTRONIC TECHNOLOGIES, LLC AND SHOULD NOT BE USED WITHOUT WRITTEN PERMISSION		<p>MICRO-LOCK PLUS 1.25 W/B RECEPTACLE CRIMP TERMINAL GOLD PLATING</p>		
DIMENSION UNITS	SCALE			
mm	NTS	EC NO: 720259		
GENERAL TOLERANCES (UNLESS SPECIFIED)		DRWN: SOKUMURA01 2022/10/28		
ANGULAR TOL	± 3.0 °	CHK'D: SAKIYAMA 2022/11/28		
4 PLACES	± 0.2	APPR: AIDA 2022/11/30		
3 PLACES	± 0.2	INITIAL REVISION:		
2 PLACES	± 0.2	DRWN: RWATANABE01 2017/09/15		
1 PLACE	± 0.2	APPR: TKANEKO 2017/09/26		
0 PLACES	± 0.2	DOCUMENT NUMBER		DOC TYPE
DRAFT WHERE APPLICABLE MUST REMAIN WITHIN DIMENSIONS		5054311100-SD		PSD 000 D
THIRD ANGLE PROJECTION		DRAWING	SERIES	MATERIAL NUMBER
		A3-SIZE	505431	SEE TABLE
		CUSTOMER	SHEET NUMBER	
		GENERAL	1 OF 2	

△ 2 適用製品及び各種仕様書
 APPLICABLE PRODUCTS AND VARIOUS SPECIFICATIONS

梱包仕様書 PACKING SPECIFICATION		5054319200 PS 200			
列数 NUMBER OF ROWS		SINGLE			
ローハロゲン対応 LOW HALOGEN COMPLIANT		NOT COMPLIANT		COMPLIANT	
適合ハウジング シリーズ番号 APPLICABLE HOUSING SERIES NUMBER		505565**0*		204532**0*	
適合嵌合相手 MATE WITH	嵌合タイプ MATING TYPE	VERTICAL	RIGHT ANGLE	VERTICAL	RIGHT ANGLE
	シリーズ番号 SERIES NUMBER	505568**** 3, 5, 8▲	505567**** 3, 5, 8▲	204530**** 3, 5, 8▲	204529**** 3, 5, 8▲
製品仕様書 PRODUCT SPECIFICATION		5055650002 PS 000		2045320000-PS PS 001	
取扱説明書 APPLICATION SPECIFICATION		5055650000-AS PS 000			
列数 NUMBER OF ROWS		DUAL			
ローハロゲン対応 LOW HALOGEN COMPLIANT		NOT COMPLIANT		COMPLIANT	
適合ハウジング シリーズ番号 APPLICABLE HOUSING SERIES NUMBER		505432**0*		204523**0*	
適合嵌合相手 MATE WITH	嵌合タイプ MATING TYPE	VERTICAL	RIGHT ANGLE	VERTICAL	RIGHT ANGLE
	シリーズ番号 SERIES NUMBER	505433**** 2, 3, 4, 5, 6, 9 ▲	505448**** 3, 5, 9▲	204520**** 2, 3, 4, 5, 6, 9 ▲	204519**** 3, 5, 9 ▲
製品仕様書 PRODUCT SPECIFICATION		5054320000 PS 006		2045230002-PS PS 000	
取扱説明書 APPLICATION SPECIFICATION		5054320000-AS PS 000			

製品嵌合図は各"適合嵌合相手"図面参照のこと
 MATING VIEW : REFER TO EACH "MATE WITH" PART DRAWING.

THIS DRAWING CONTAINS INFORMATION THAT IS PROPRIETARY TO MOLEX ELECTRONIC TECHNOLOGIES, LLC AND SHOULD NOT BE USED WITHOUT WRITTEN PERMISSION									
DIMENSION UNITS mm		SCALE NTS		CURRENT REV DESC:				molex	
GENERAL TOLERANCES (UNLESS SPECIFIED)		ANGULAR TOL ± 3.0°		EC NO: 720259					
4 PLACES ± 0.2		3 PLACES ± 0.2		DRWN: SOKUMURA01 2022/10/28				MICRO-LOCK PLUS 1.25 W/B RECEPTACLE CRIMP TERMINAL GOLD PLATING	
2 PLACES ± 0.2		1 PLACE ± 0.2		CHK'D: SAKIYAMA 2022/11/28					
0 PLACES ± 0.2		DRAFT WHERE APPLICABLE MUST REMAIN WITHIN DIMENSIONS		THIRD ANGLE PROJECTION		DRAWING A3-SIZE		SERIES 505431	
DOCUMENT NUMBER 5054311100-SD		DOC TYPE PSD		DOC PART 000		REVISION D		PRODUCT CUSTOMER DRAWING	
MATERIAL NUMBER SEE TABLE		CUSTOMER GENERAL		SHEET NUMBER 2 OF 2					