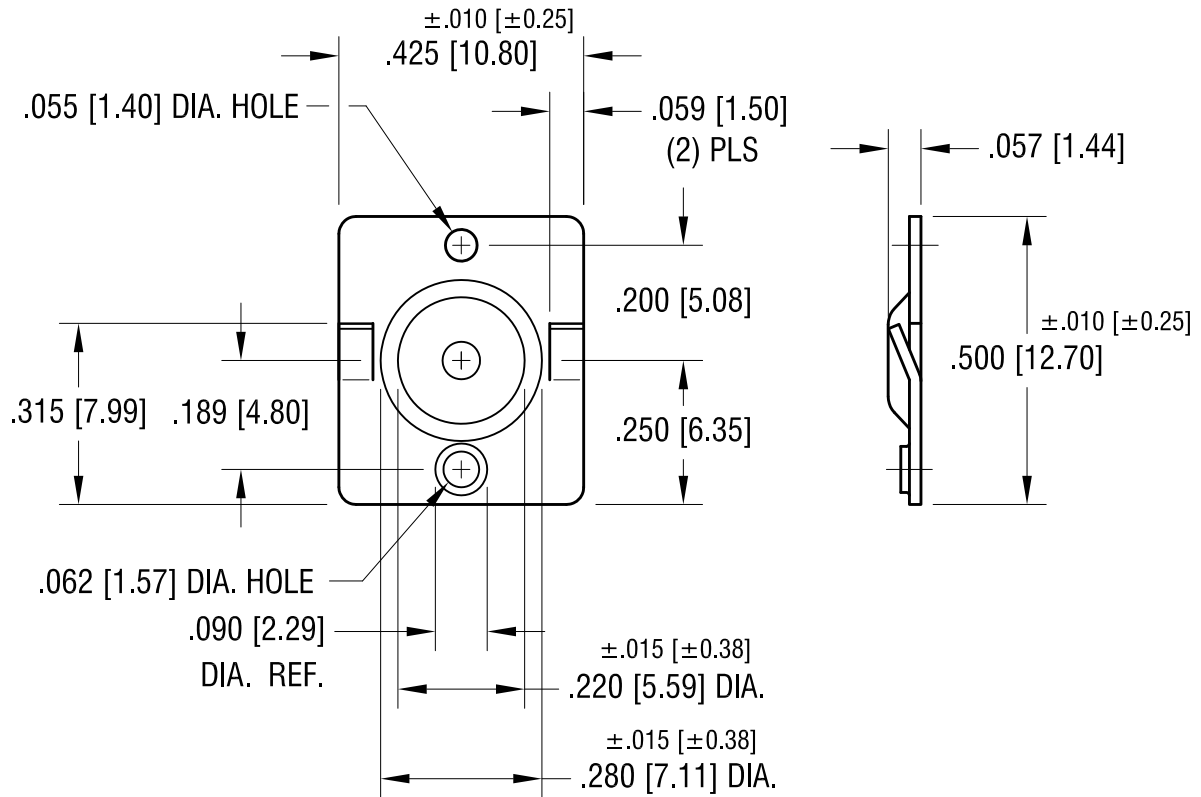
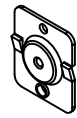


THIS DOCUMENT IS THE PROPERTY OF
KEYSTONE ELECTRONICS CORP. AND
SHALL NOT BE REPRODUCED, DISTRIBUTED
OR USED AS A BASIS FOR MANUFACTURE
WITHOUT PRIOR WRITTEN PERMISSION
FROM KEYSTONE ELECTRONICS CORP.

ACTUAL SIZE



NOTES:

- MAT'L - $.020$ [0.50] TH'K STEEL

KEYSTONE ELECTRONICS CORP.

www.keyelco.com • NEW HYDE PARK, NY 11040 • Tel (516) 328-7500

PART NAME

'AA' MALE BATTERY CONTACT

MATERIAL

$.020$ [0.50] TH'K STEEL

FINISH

NICKEL PLATE

DRN BY

BOONE

DATE

3.30.05

APP'D

LN

SCALE

3X

4.07.20

CHANGE AS PER ECN 20-035

A

TOLERANCES

INCH [MM]

CODE

DWG NO.

DECIMAL

$\pm .005$ [± 0.13]

C

ANGULAR

$\pm 1^\circ$

UNLESS OTHERWISE SPECIFIED

5221

DATE

DESCRIPTION

REV.