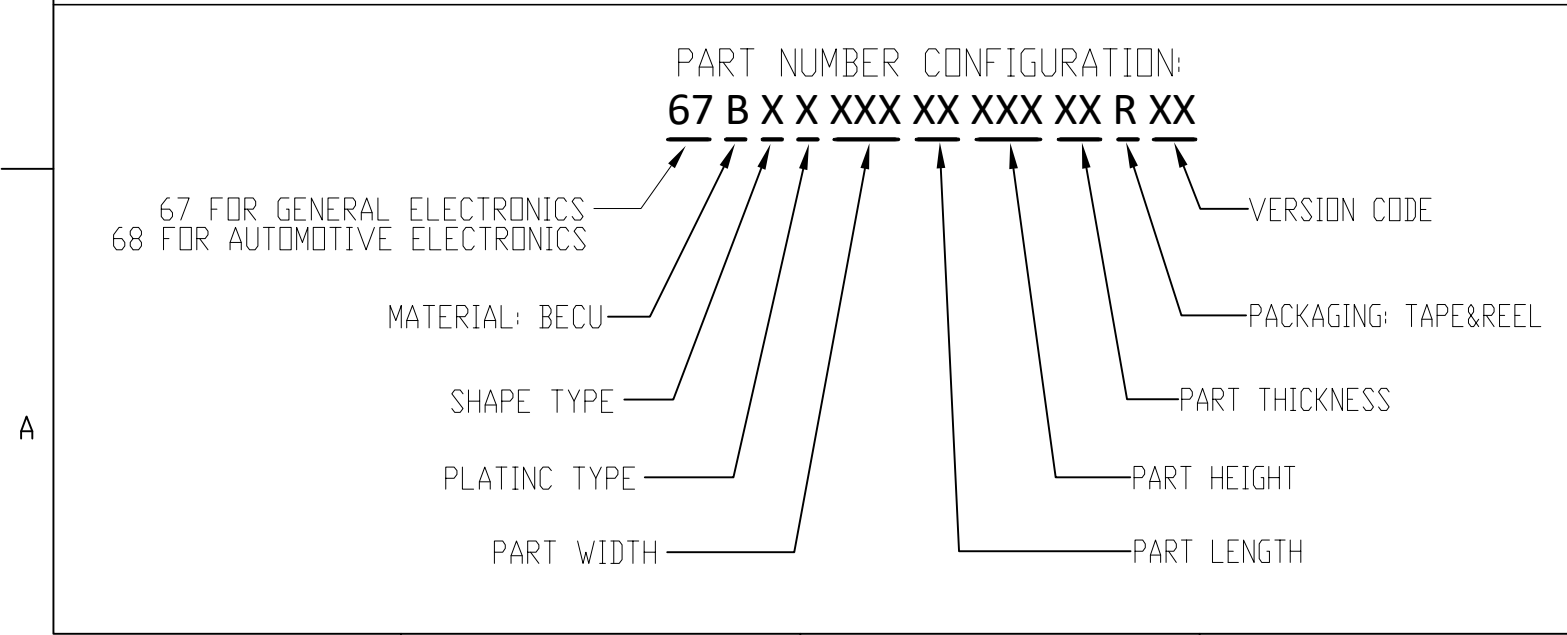
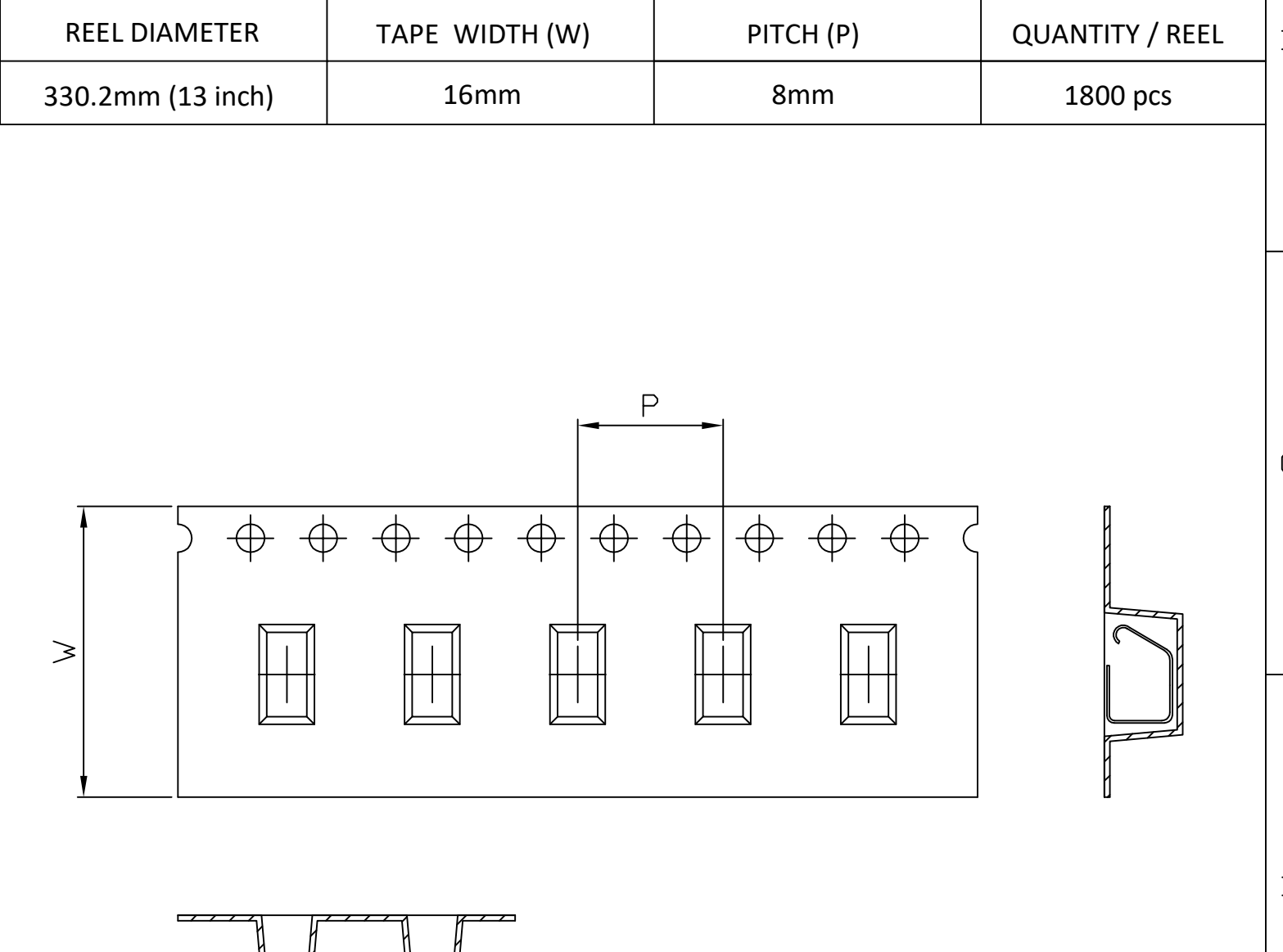
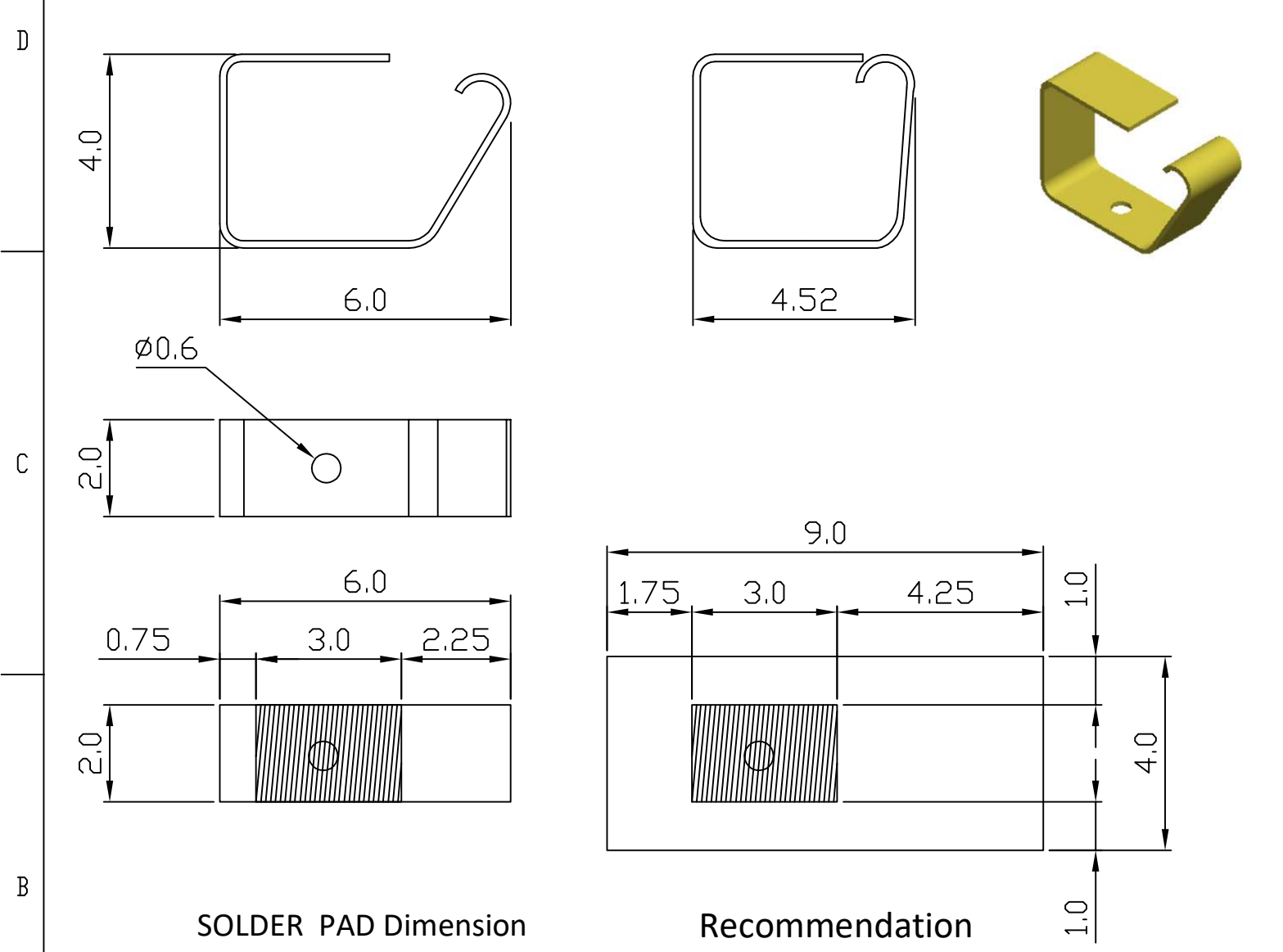


8	7	6	5	4	3	2	1
PART NUMBER	THICKNESS	MATERIAL	PLATING TYPE	PACKAGING			
67BCG2006004015R00	0.15mm	BeCu C17200	Au 1u" Over Ni 50~120u"	TAPE AND REEL			
				REEL DIAMETER	TAPE WIDTH (W)	PITCH (P)	QUANTITY / REEL
				330.2mm (13 inch)	16mm	8mm	1800 pcs



UNITS: MM [INCH]	Laird	LAIRD DRAWING NUMBER: BCG-20X60X040-SALES
TOLERANCES: X.X = ±0.4 X.XX = ±0.2 X.XXX = ±0.1		THIS IS AN UNCONTROLLED SALES DRAWING. THE DIMENSIONAL CHARACTERISTICS AND TOLERANCES OF THIS PART SHOWN ON THIS DRAWING AS A REFERENCE TO THE DIMENSIONAL SPECIFICATIONS OF THE LAIRD STANDARD PRODUCTION DRAWING FOR THIS PART. ANY SUBSEQUENT CHANGES TO THE STANDARD PART SPECIFICATION WILL SUPERSEDE THIS SALES DRAWING.
ANGULAR: X° = ±3° X.X° = ±1.0°	3RD ANGLE PROJECTION	DESIGNED IN SOLIDWORKS
	SCALE: 5:1	SHEET 1 OF 1
		SIZE B