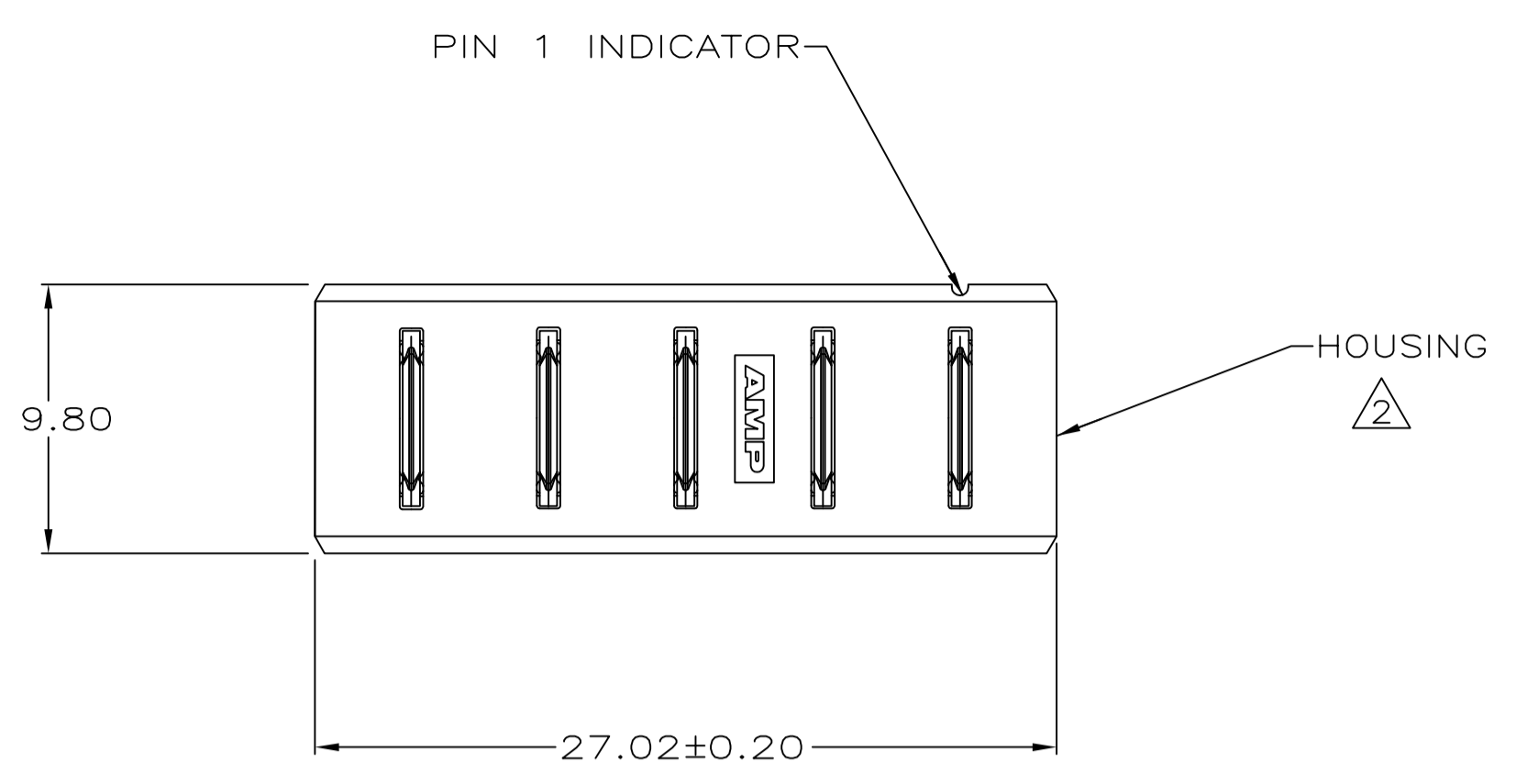
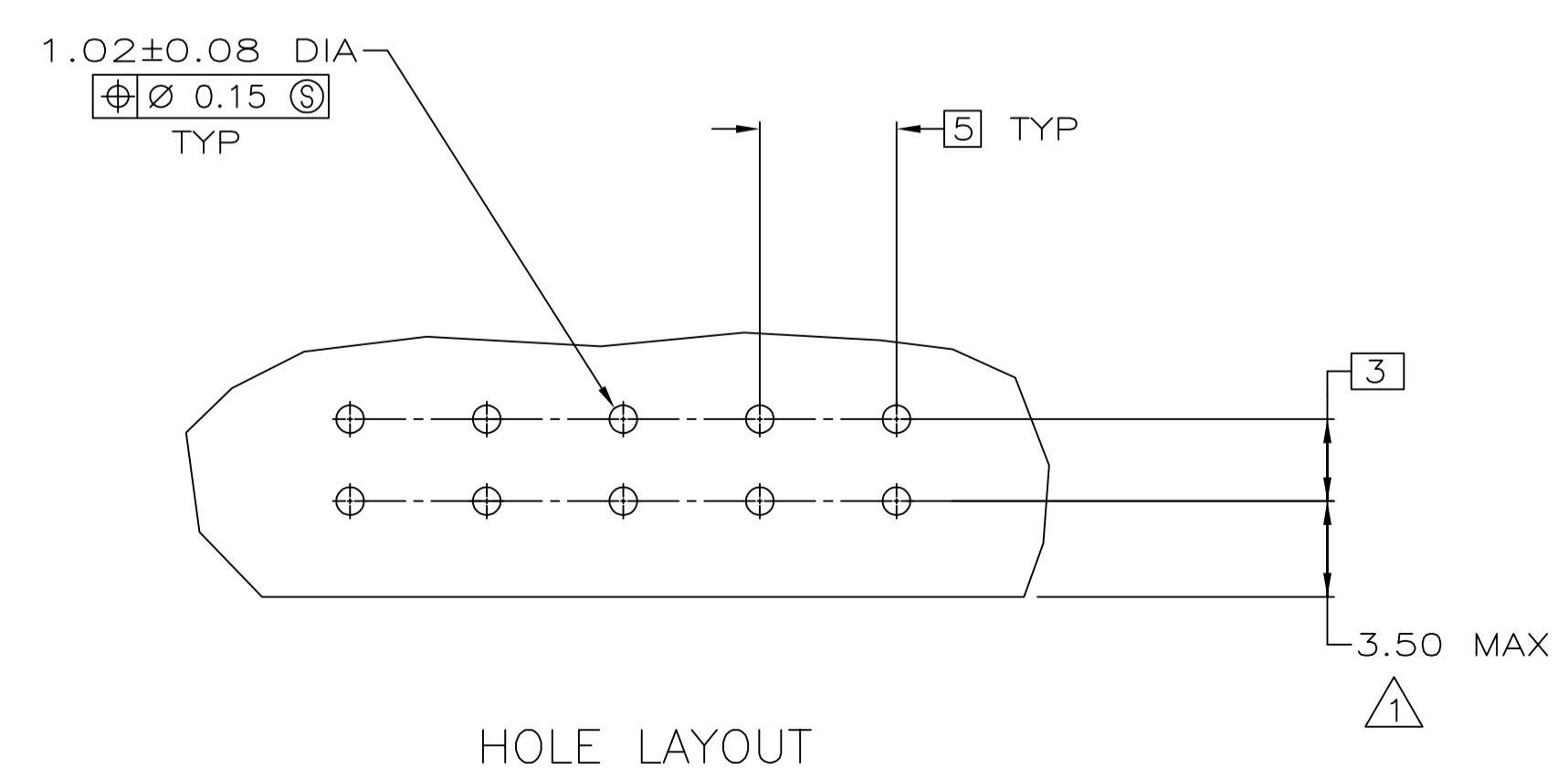
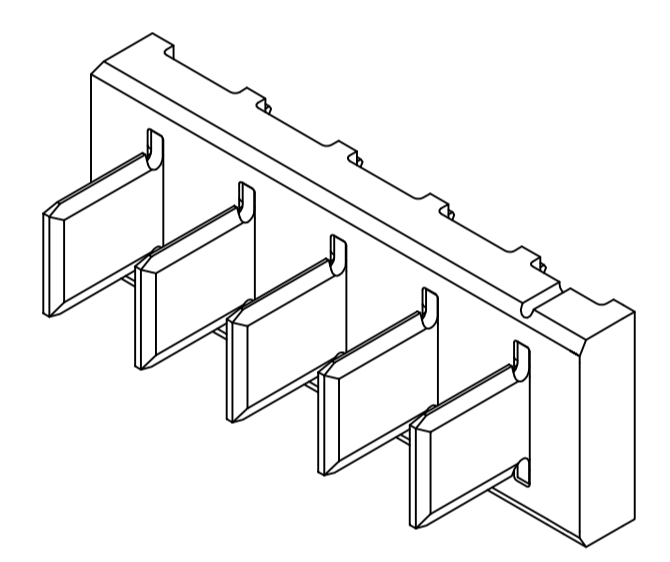
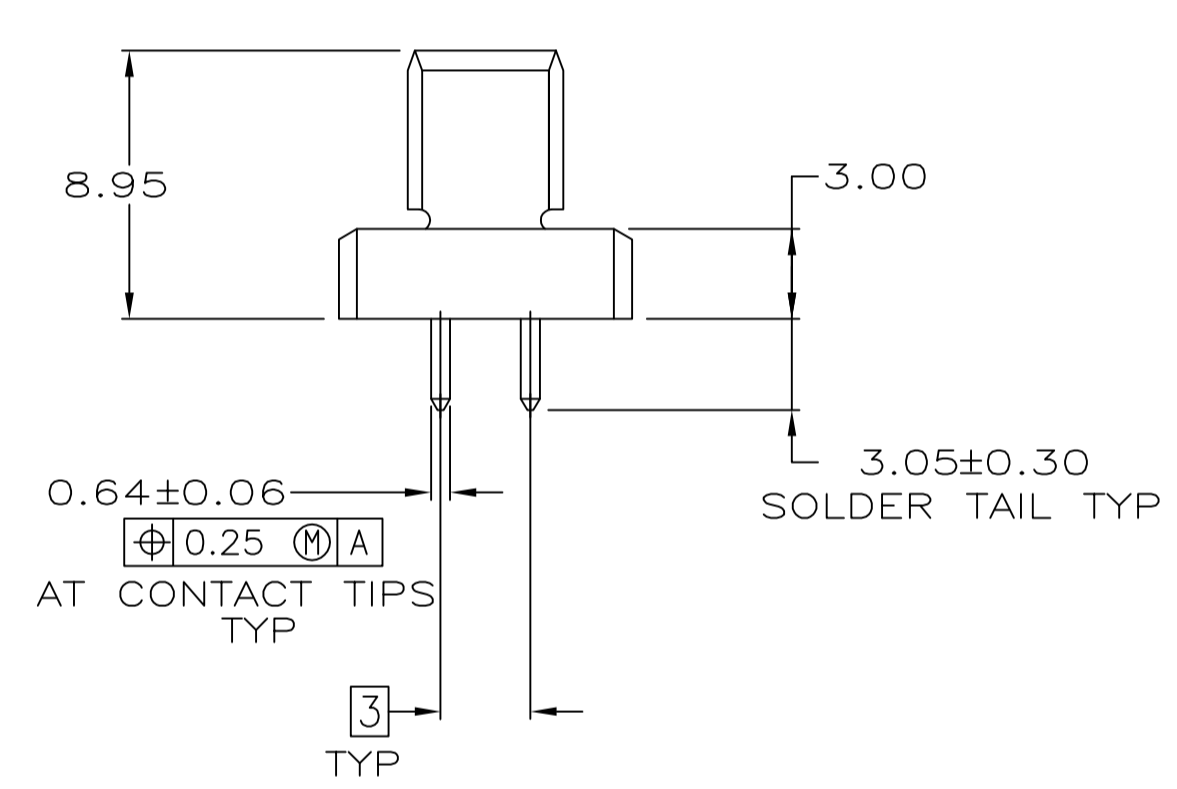
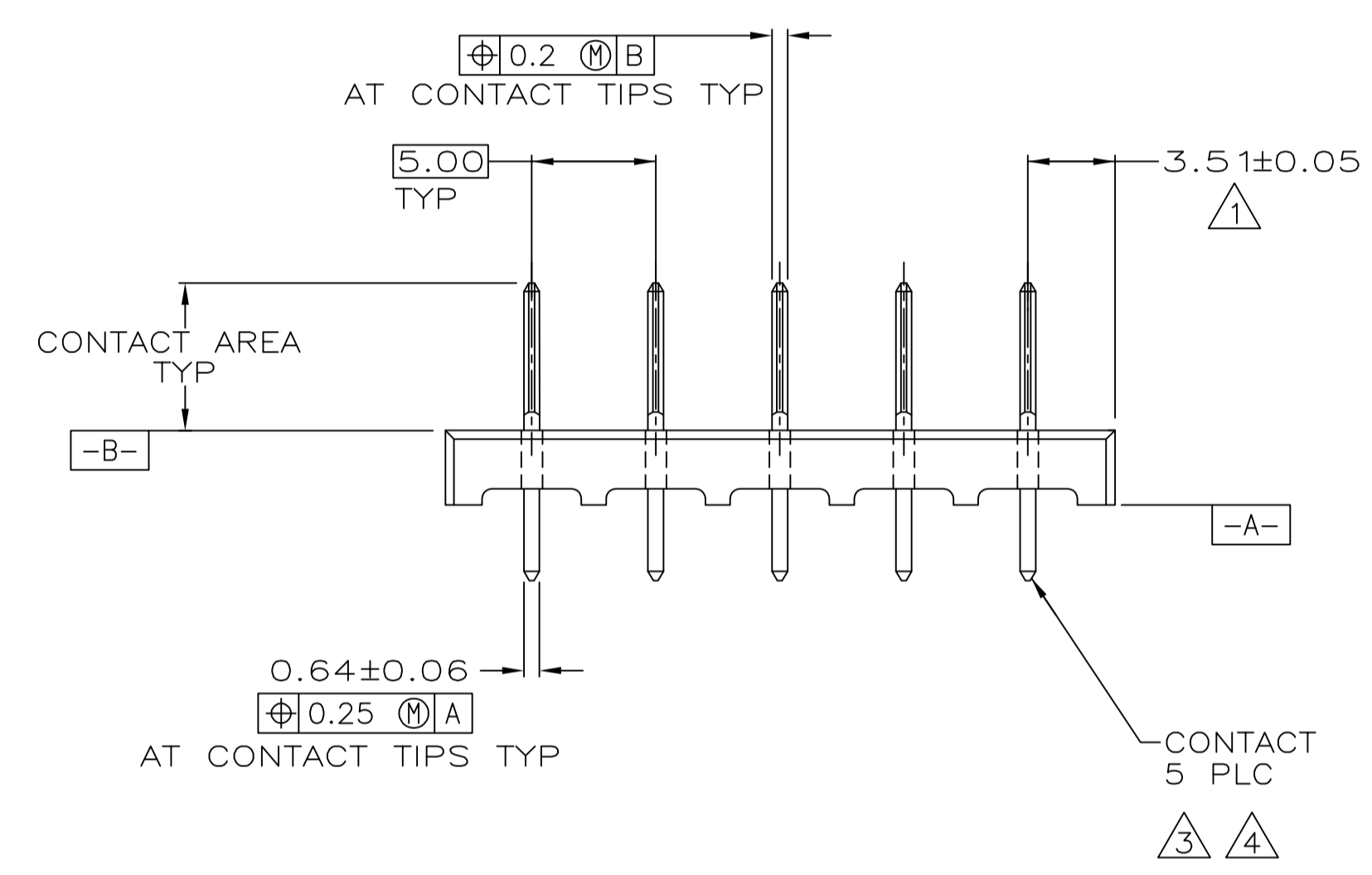


LOC	DIST	REVISIONS			
P	LTR	DESCRIPTION	DATE	DWN	APVD
0	RLSE -1	PER NPR 5307 WAS 95-2197-17-1	03-29-95	SK	SK
A	REV PER EC	0020-0657-96	12/06/96	JR	RK
B	REV PER EC	0410-0218-96	12/06/96	JR	RS
C	ADDED -3	PER EC 0G1C-102-98	15 JUL 98	PB	GS
E	REVISED PER ECR-10-002761		02/09/10	S.W	S.Y
E1	REVISED PER ECR-14-009533		07/07/14	AP	JHA



- △ COORDINATE DIMENSION APPLIES FROM CENTER OF ACTUAL FEATURE.
- △ HOUSING: POLYPHTHALAMIDE, COLOR BLACK.
- △ 2.54 μm MIN TIN-LEAD ON SOLDER TAIL OVER 1.90 μm MIN NICKEL ALL OVER.
- △ CONTACTS: BRASS



OBSOLETE SUBSIDIARY USE ONLY		TUBE	787444-3
SUPERCEDED BY 5787444-1		STANDARD	787444-1
		PACKAGING TYPE	PART NO
<small>THIS DRAWING IS A CONTROLLED DOCUMENT FOR AMP INCORPORATED. IF IT IS SUBJECT TO CHANGE AND THE CONTROLLING ENGINEERING ORGANIZATION SHOULD BE CONTACTED FOR THE LATEST REVISION.</small>		DWN: S.KLINE 03-29-95 CHK: S.KLINE 03-30-95 APVD: S.KLINE 03-30-95	<b>STE</b> TE Connectivity HEADER ASSEMBLY, VERTICAL, KEYLESS, 5mm $\phi$ , 5 POSN, STRAIGHT SOLDER TAILS, BATTERY INTERCONNECT
DIMENSIONS: mm 0 PLC ± 1 PLC ± 2 PLC ±0.13 3 PLC ± 4 PLC ± ANGLE ± FINISH ±	TOLERANCES UNLESS OTHERWISE SPECIFIED: 0 PLC ± 1 PLC ± 2 PLC ±0.13 3 PLC ± 4 PLC ± ANGLE ± FINISH ±	NAME: S.KLINE PRODUCT SPEC: 108-1501 APPLICATION SPEC: 114-24005	SIZE: A1 CAGE CODE: 00779 DRAWING NO: C-787444 SCALE: 4:1 SHEET: 1 OF 1 REV: 1
MATERIAL: SEE CALLOUTS		WEIGHT: -	CUSTOMER DRAWING