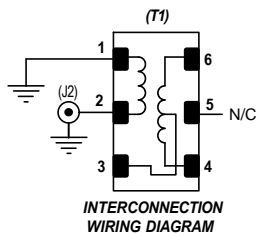
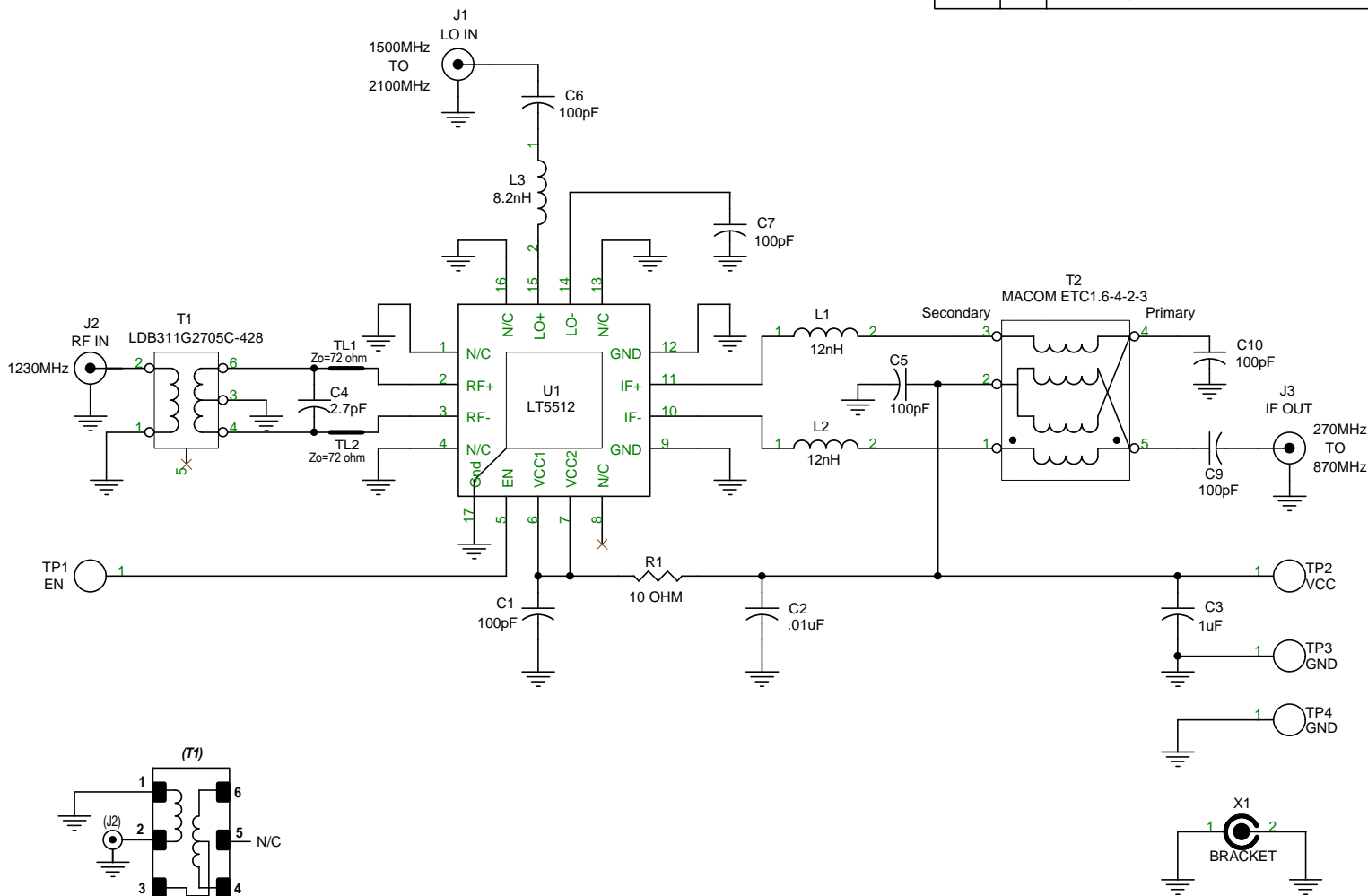
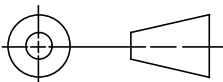



REVISION HISTORY				
ECO	REV	DESCRIPTION	DATE	APPROVED
	1	INITIATE	01/23/02	
	2	REVISED; DEMO BOARD RELEASE	5/7/02	



UNLESS OTHERWISE SPECIFIED DIMENSIONS ARE IN INCHES TOLERANCE ON ANGLE --- 2 PLACES --- 3 PLACES --- INTERPRET DIM AND TOL PER ASME Y14.5M -1994 	CONTRACT NO.		 1630 McCarthy Blvd. Milpitas, CA 95035 Phone: (408)432-1900 Fax: (408)434-0507	TITLE		
	APPROVALS	DATE		SCHEMATIC, DOWNCONVERTING MIXER CATV PCB		
	DRAWN L.SANTOS	01/23/02		SIZE	CAGE CODE	DWG NO
	CHECKED			A		DC503A
THIRD ANGLE PROJECTION	APPROVED	ENGINEER VLAD D.	DESIGNER	REV	2	
DO NOT SCALE DRAWING	Tuesday, May 14, 2002		SCALE: NONE	FILENAME503Ar2.DSN	SHEET 1 OF 1	