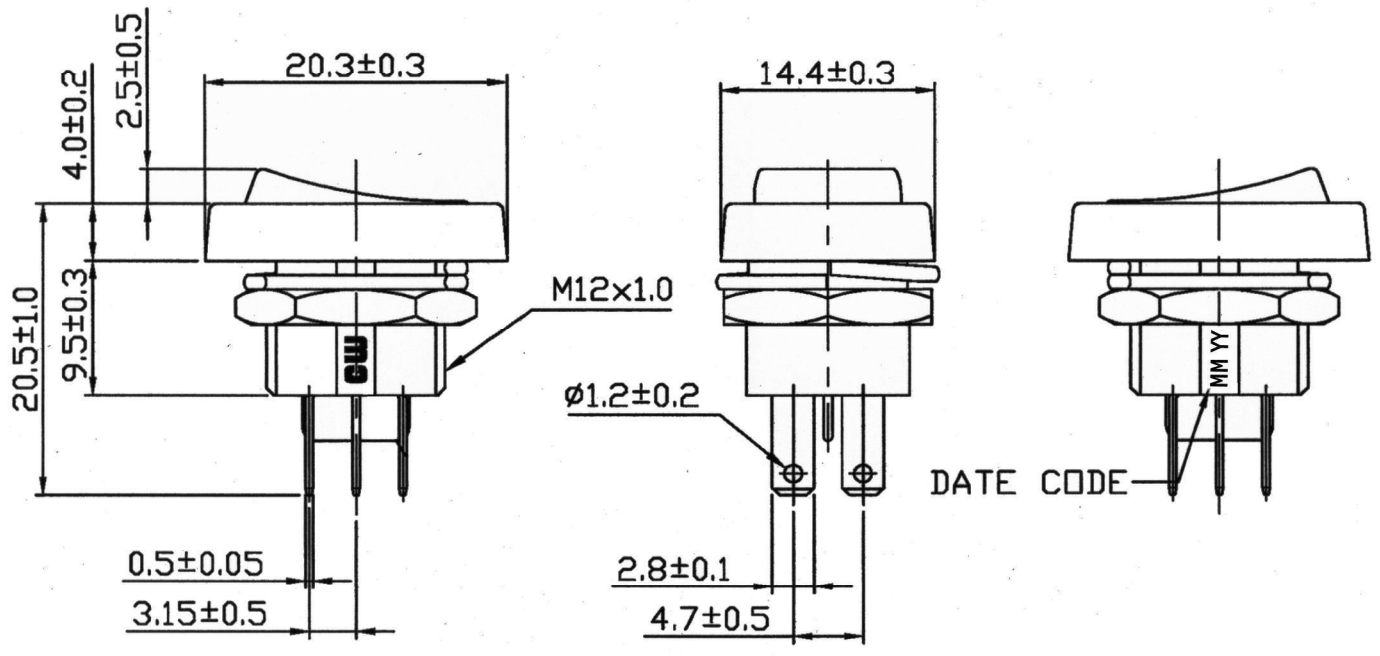
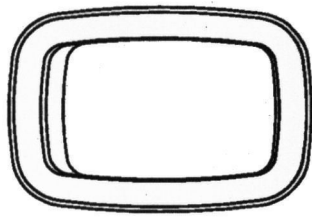


THIS INFORMATION IS CONFIDENTIAL AND PROPRIETARY TO CW INDUSTRIES INCORPORATED AND ITS AFFILIATES. IT MAY NOT BE DISCLOSED TO ANYONE, OTHER THAN CW INDUSTRIES PERSONNEL, WITHOUT WRITTEN AUTHORIZATION FROM CW INDUSTRIES INCORPORATED, SOUTHAMPTON, PENNSYLVANIA USA.

Rating	6A 125V, 3A 250V AC	Mounting Hole 	Circuit Diagram
Contact Resistance	50m ohm max.		
Insulation Resistance	DC 500V 100M ohm min.		
Dielectric Strength	AC 1000V 1 minute		

BASE COLOR: Black
 BUTTON COLOR: Black

Cut-Out 6.0 mm thk. max.



RoHS Compliant

1 Removed \bar{A} & \bar{C} from ratings. 2/08/11.

CW INDUSTRIES
 Southampton, Pa. 18966
 Tel 215.355.7080/www.cwind.com

Date Drawn: 12/18/09
 Title: **ROCKER SWITCH**

Rev. 0

Unit: mm

Checked By: **G.GULD**

CW P/N: **GRB213B03BB**