



CERAMIC

# Low Pass Filter

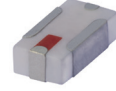
## LFCN-123+

Mini-Circuits

50Ω DC<sup>1</sup> to 12000 MHz

### FEATURES

- Excellent power handling, 8W
- Small size, 0.12" x .06"
- 7 sections
- Temperature stable
- Hermetically sealed
- LTCC construction
- Protected by U.S. Patent 6,943,646



Generic photo used for illustration purposes only

CASE STYLE: FV1206-4

### +RoHS Compliant

The +Suffix identifies RoHS Compliance. See our web site for RoHS Compliance methodologies and qualifications

### APPLICATIONS

- Harmonic rejection
- VHF/UHF transmitters/receivers
- Lab use

### PRODUCT OVERVIEW

The LFCN-123+ Low Pass Filter gives microwave communication system designers the ability to reject unwanted harmonics using defined RF parameters. The multilayer construction gives high repeatability of performance. Small wrap-around terminations minimize variations in performance due to parasitics. Covering DC-12000 MHz, these units offer low insertion loss and good rejection.

### KEY FEATURES

Feature	Advantages
Small Size (3.20mm x1.6 mm)	Allows for high layout density of circuit boards, while minimizing affects of parasitics.
Rejection peaks at harmonic frequencies	Provides good rejection of signals at harmonic frequencies, for improved system performance.
Wrap around termination	Provides excellent solderability and easy visual inspection capability.
LTCC construction	Provides a rugged package that is well suited for tough environments including high humidity and high temperature extremes.

REV. E  
ECO-013867  
LFCN-123+  
AD/CP/AM  
220622





CERAMIC

# Low Pass Filter

## LFCN-123+

### ELECTRICAL SPECIFICATIONS<sup>1,2</sup> AT 25°C

Parameter	F#	Frequency (MHz)	Min.	Typ.	Max.	Units	
Passband	Insertion Loss	DC-F1	DC-12000	—	—	2.5	dB
	Freq. Cut-Off	F2	13000	—	3.0	—	dB
	VSWR	DC-F1	DC-12000	—	1.6	—	:1
Stop Band	Rejection Loss	F3	15000	20	—	—	dB
		F4-F5	15500-20000	—	40	—	dB
	VSWR	F3-F6	15500-20000	—	17	—	:1

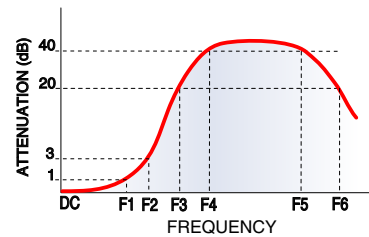
1. In Application where DC voltage is present at either input or output ports, coupling capacitors are required.
2. Measured on Mini-Circuits Characterization Test Board TB-860+.

### MAXIMUM RATINGS

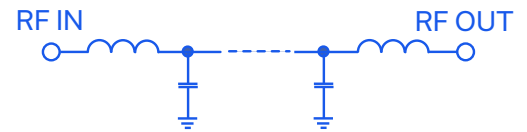
Parameter	Ratings
Operating temperature	-55°C to 100°C
Storage temperature	-55°C to 100°C
RF Power Input <sup>3</sup>	8 W max. at 25°C

3. Passband rating, derate linearly to 3W at 100°C ambient. Permanent damage may occur if any of these limits are exceeded.

### TYPICAL FREQUENCY RESPONSE



### FUNCTIONAL SCHEMATIC





CERAMIC

# Low Pass Filter

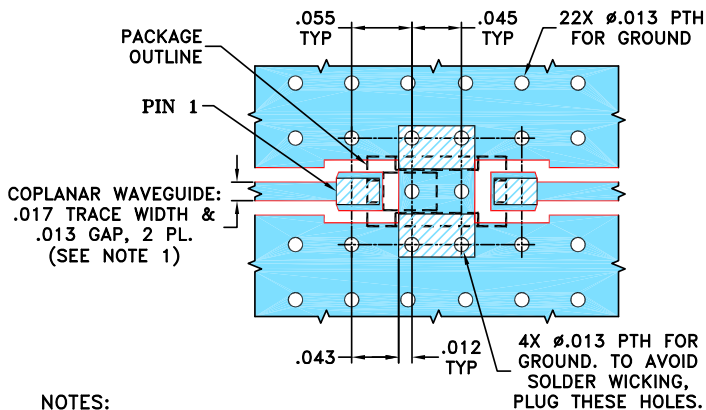
**LFCN-123+**

## PIN CONNECTIONS

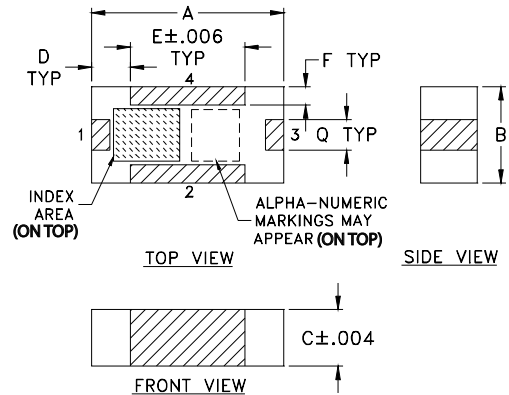
RF IN	1
RF OUT	3
GROUND	2,4

**PRODUCT MARKING:** AP

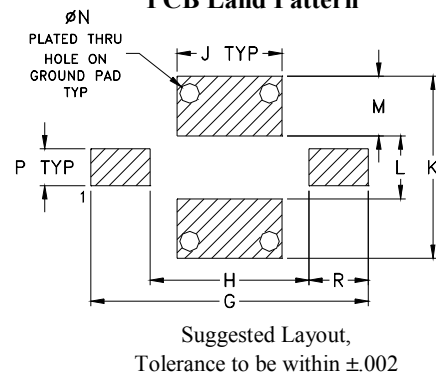
**DEMO BOARD MCL P/N:** TB-860+  
**SUGGESTED PCB LAYOUT (PL-487)**



## OUTLINE DRAWING



## PCB Land Pattern



## OUTLINE DIMENSIONS (Inches mm)

A	B	C	D	E	F	G	H	J
.126	.063	.037	.026	.075	.012	.182	.104	.069
3.20	1.60	0.94	0.66	1.91	0.30	4.62	2.64	1.75
K	L	M	N	P	Q	R	wt	
.119	.041	.039	.013	.024	.020	.039	grams	
3.02	1.04	0.99	0.33	0.61	0.51	0.99	.020	

**TAPE & REEL INFORMATION: F75**



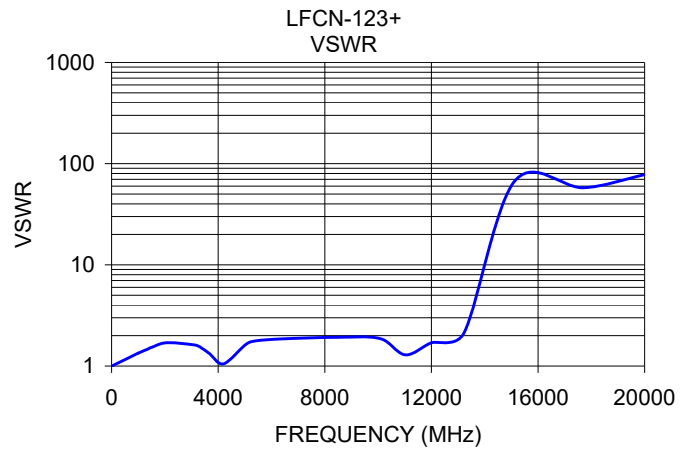
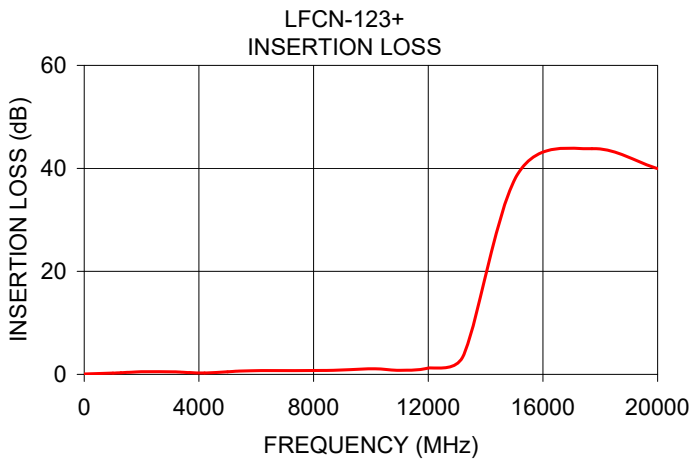
CERAMIC

# Low Pass Filter

## LFCN-123+

### TYPICAL PERFORMANCE DATA AT 25°C

Frequency (MHz)	Insertion Loss (dB)	VSWR (:1)
10.00	0.07	1.00
1280.00	0.31	1.44
1550.00	0.39	1.55
2080.00	0.51	1.70
3140.00	0.48	1.61
4200.00	0.26	1.05
5000.00	0.48	1.61
5330.00	0.62	1.76
6260.00	0.73	1.85
8450.00	0.77	1.92
10070.00	1.07	1.87
11020.00	0.78	1.29
12010.00	1.23	1.70
13220.00	3.56	2.12
15120.00	38.92	67.22
17710.00	43.82	57.85
20000.00	39.95	78.02



#### NOTES

- A. Performance and quality attributes and conditions not expressly stated in this specification document are intended to be excluded and do not form a part of this specification document.
- B. Electrical specifications and performance data contained in this specification document are based on Mini-Circuit's applicable established test performance criteria and measurement instructions.
- C. The parts covered by this specification document are subject to Mini-Circuits standard limited warranty and terms and conditions (collectively, "Standard Terms"); Purchasers of this part are entitled to the rights and benefits contained therein. For a full statement of the standard. Terms and the exclusive rights and remedies thereunder, please visit Mini-Circuits' website at [www.minicircuits.com/MCLStore/terms.jsp](http://www.minicircuits.com/MCLStore/terms.jsp)

