

PRODUCT SPECIFICATION SHEET

P2RSA-3777

FINISH:
BODIES &
HARDWARE: PASSIVATED PER QQ-P-35C, TYPE II

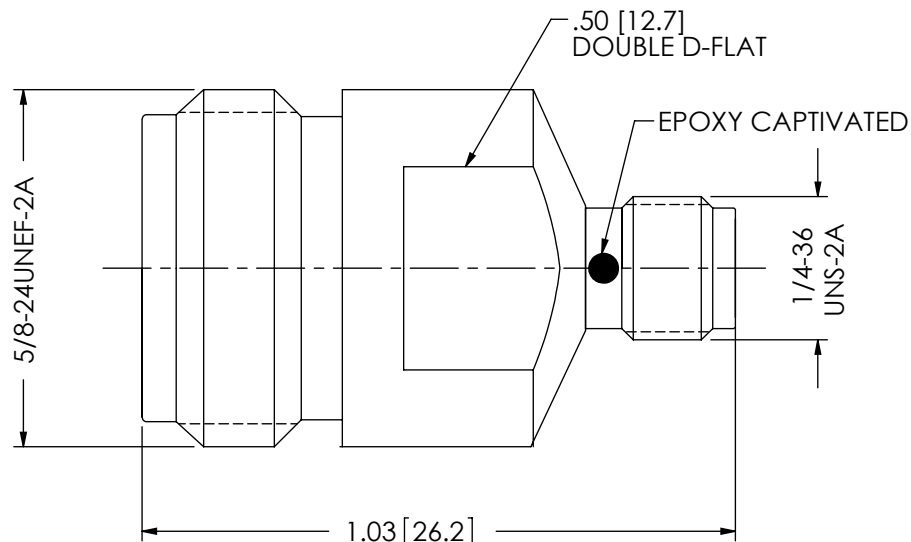
CONTACTS: GOLD OVER NICKEL

PERFORMANCE:
 IMPEDANCE: 50 OHMS
 VP: 70%
 FREQ. RANGE: DC TO 18 GHz
 DELAY: 69 ps 17.9 GHz SPAN
 VSWR: 1.25:1 (MAX) FOR DC-18 GHz
 INSERTION LOSS: <-.2dB @ 18 GHz
 OPERATING TEMP RANGE: -65°C TO +125°C
 CONNECTOR: MATES WITH MIL-STD-348

MATERIAL:
 BODIES &
 HARDWARE: STAINLESS STEEL PER AMS-5640, TYPE 303,
 COND.A

CONTACTS: BERYLLIUM COPPER PER ASTM B196,
 ALLOY UNS C17300

INSULATOR: PTFE PER ASTM-D1710



REVISION HISTORY				 PROPRIETARY	DIMENSIONS ARE IN INCHES TOLERANCES:		UNLESS OTHERWISE SPECIFIED		RFP² RF PRECISION PRODUCTS A DIVISION OF RF INDUSTRIES	
REV	DESCRIPTION	DATE	APPROVED		FRACTIONAL: ±1/64 ANGULAR: X° ±1° X'X' ±15'	DECIMAL: .X ±.030 .XX ±.015 .XXX ±.005	1) ALL DIMENSIONS ARE AFTER PLATING & HEAT TREATING. 2) BREAK CORNERS & EDGES .005 RADIUS MAX. 3) CHAMFER FIRST & LAST THREADS. 4) SURFACE ROUGHNESS 63 Y1/A.W. MIL-STD-10. 5) DIAMETERS ON COMMON CENTERS TO BE CONCENTRIC WITHIN T.I.R. 6) REMOVE ALL BURRS		7610 MIRAMAR ROAD, SAN DIEGO, CA 92126-4202 (858) 549-6340 - FAX (858) 549-6345 - RFI@RFINDUSTRIES.COM	
-	ENGINEERING RELEASE	09/23/10	JDMc	INTERPRET DIMENSIONS AND TOLERANCES PER ASME Y14.5M - 1994		DRAWN BY: C. ZUNIGA 05/05/10		TITLE: N JACK TO SMA JACK ADAPTER		
						ENG APPROVAL: D. McREYNOLDS		SIZE: A CODE: 000000 DWG. NO.:		
						MFG APPROVAL: --		P2RSA-3777		
						QA APPROVAL: --		SHEET 1 OF 1		