

NOTES:

1. MATERIAL AND FINISH:

BODY BRASS, GOLD PLATING
 CONTACT PIN BRASS, GOLD PLATING
 INSULATOR PEEK, NATURAL

2. ELECTRICAL:

- A. IMPEDANCE: 50 OHM
- B. FREQUENCY RANGE: DC-10 GHz
- C. RETURN LOSS: 26 dB MIN.@ DC-4 GHz
23 dB MIN.@ 4-6 GHz
- D. INSERTION LOSS: $0.03X \sqrt{f(\text{GHz})}$ dB MAX.
- E. INSULATION RESISTANCE: 5 GOHM MIN.
- F. POWER HANDLING: 200 W MAX.@ 2.2 GHz AT 20°C
- G. INTERMODULATION(3rd ORDER): -117 dBm MAX. @ 2X20W

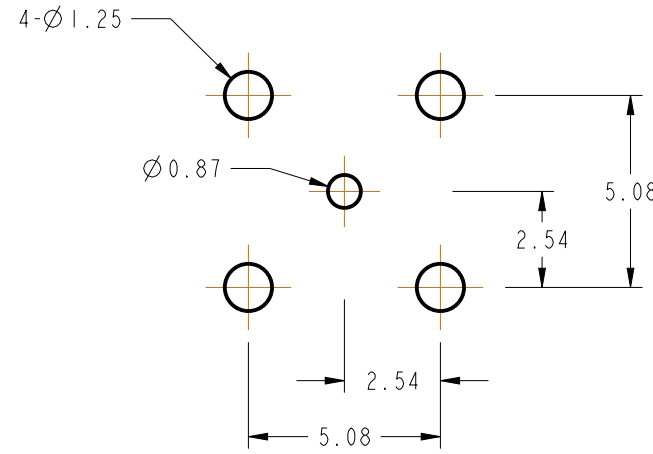
3. MECHANICAL:

- A. MATING CYCLES: 100 MIN.
- B. TEMPERATURE RANGE: -65°C TO +165°C

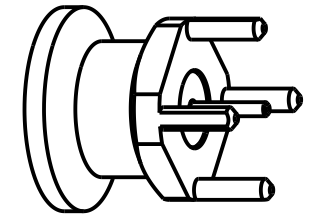
THIRD ANGLE PROJ.

REVISIONS

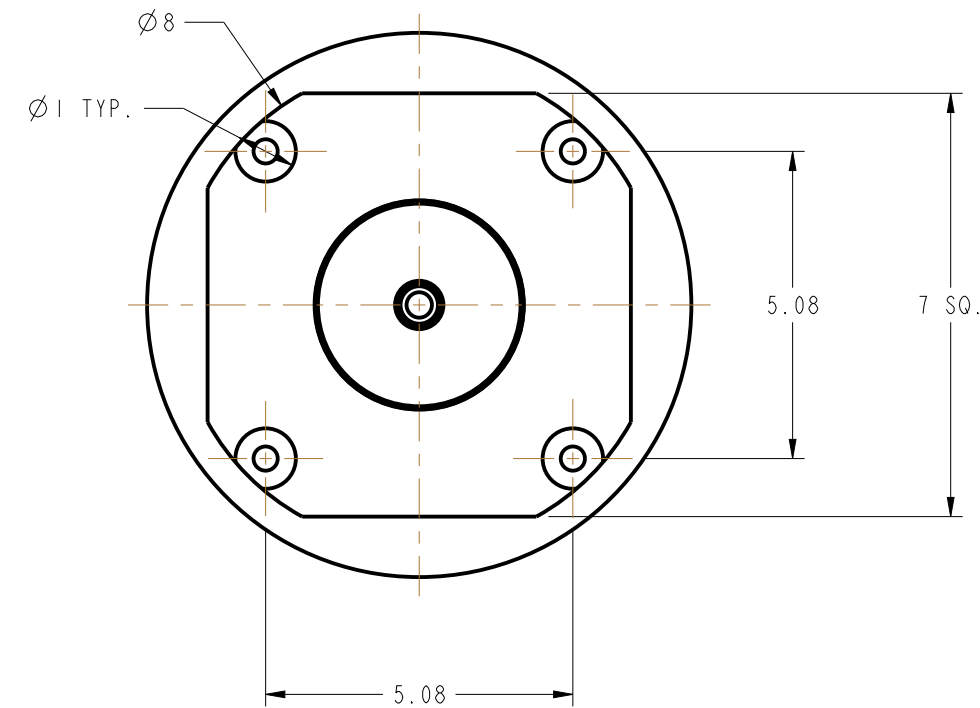
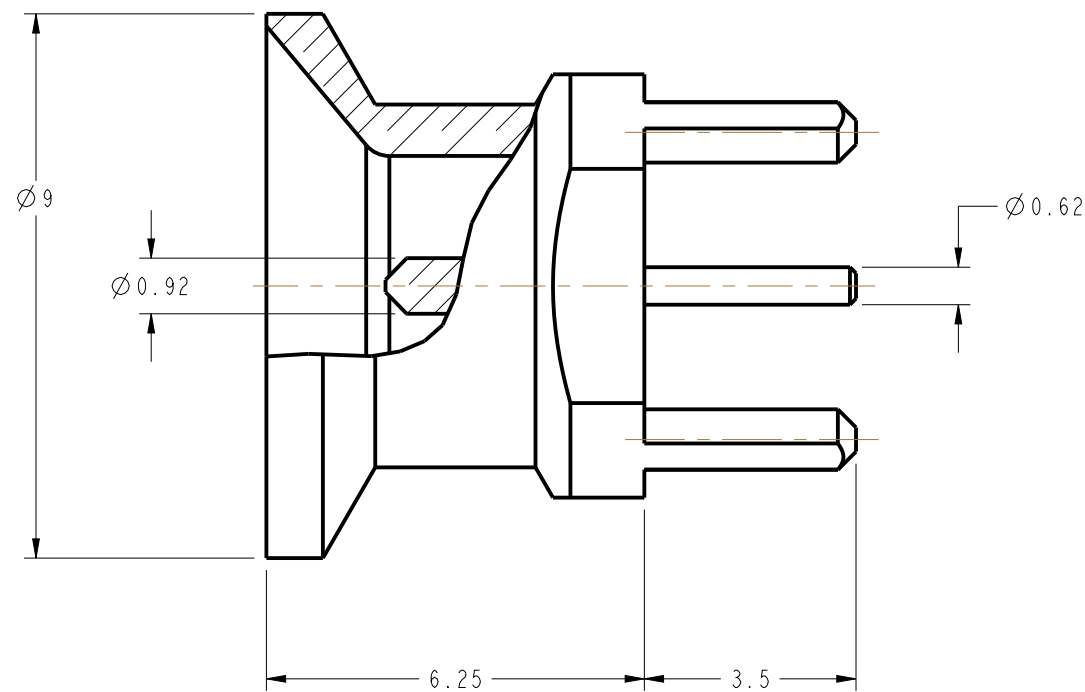
REV	DESCRIPTION	DATE	ECO	APPR
A	RELEASE TO MFG.	16-Dec-13		LL
B	TITLE WAS CHANGED. ADDED PART NO. PSMP-MSSB-PCT35 UPDATED RECOMMENDED PCB MOUNTING HOLE	03-Dec-15	50842	SW
C	PLATING OF BODY WAS CHANGED\RD-DMI6042101TI	5/16/16	00781	SH



RECOMMENDED PCB MOUNTING HOLE



SCALE 3.000



CUSTOMER OUTLINE DRAWING

ALL OTHER SHEETS ARE FOR INTERNAL USE ONLY

UNLESS OTHERWISE SPECIFIED, DIMENSIONS ARE IN METRIC AND TOLERANCES ARE:
 <0.5mm ±0.05mm 0.5 - 6mm ±0.1mm 6 - 30mm ±0.2mm 30 - 120mm ±0.3mm ANGLES ±1°

NOTICE - These drawings, specifications, or other data (1) are, and remain the property of Amphenol corp. (2) must be returned upon request; and (3) are confidential and not to be disclosed to any person other than those to whom they are given by Amphenol Corp. the furnishing of these drawings, specifications, or other data by Amphenol Corp., or to any other person to anyone for any purpose is not to be regarded by implication or otherwise in any manner licensing, granting rights to permitting such holder or any other person to manufacture, use or sell any product, process or design, patented or otherwise, that may in any way be related to or disclosed by said drawings, specifications, or other data.

MATERIAL	DRAWN TANGOR	DATE 26-Apr-16	TITLE POWER-SMP, MALE SMOOTH BORE	Amphenol RF www.amphenolrf.com	
REFERENCE EAR04938	ENGINEER RICKSON	DATE 26-Apr-16			
CONFIGURATION LEVEL:	APPROVED S.HSIEH	DATE 26-Apr-16	SCALE: 5.0:1.0	SHEET 2 OF 2	DRAWING NO. PSMP1251BI-001-8GPAP8GPA-50
FINISH	CAD FILE		DWG SIZE B	REV C	ITEM NO. 671251AAS022C5F
					PART NO. PSMP-MSSB-PCT35