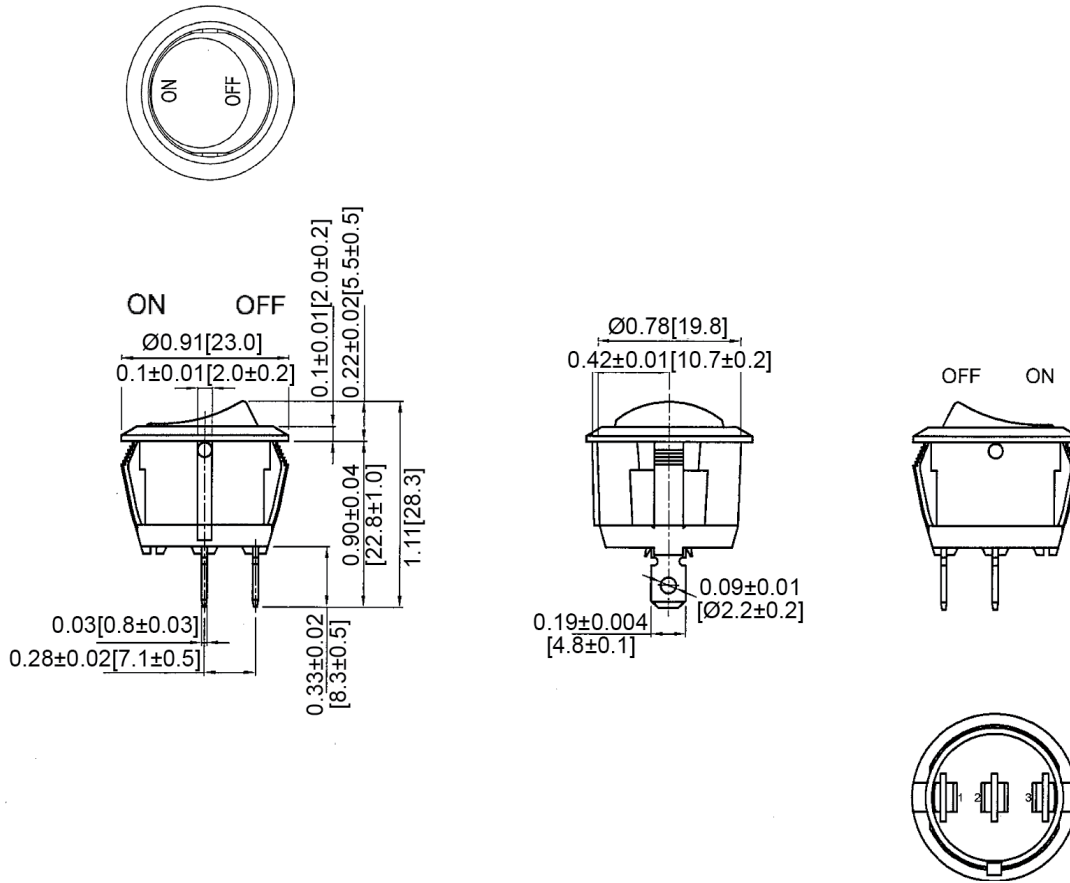
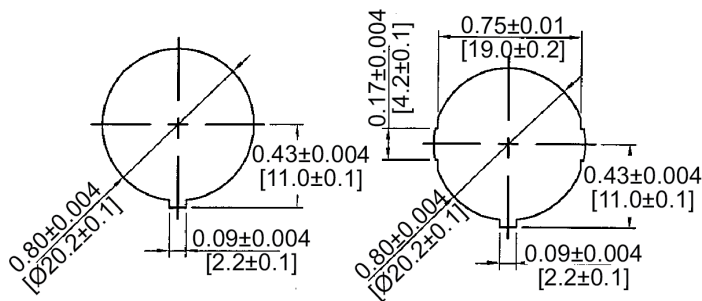


Mechanical Dimensions: Inches [mm]

Tolerances ± 0.012 [0.3] Unless Otherwise Specified

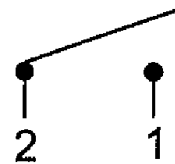


Mounting Hole



Circuit Diagram

2P SPST OFF-ON



Electrical Specifications

Rating	10(4)A 125/250V AC, 10A 125V AC 6A 250V AC 10(4)A 250V AC 16A 125V AC, 10A 250V AC
Contact Resistance	50m ohm Max
Insulation Resistance	DC 500V 100M ohm Min
Dielectric Strength	AC 1500V 1 minute
Operation Temperature	-25°C~85°C

Material Specifications

Frame	Black, Nylon 66 (94-V2)
Actuator	Black, Nylon 66 (94-V2)
Terminals	Silver Plated, Copper Alloy
Hot Stamping	White, ON-OFF (0.3mm bold)

Rev	Date of issue	Revision Notes	Designed	Approved
B	06-08-2021	Initial Drawing	RC	OF