



ON Semiconductor®

FAN6500XX Sync Buck Converter

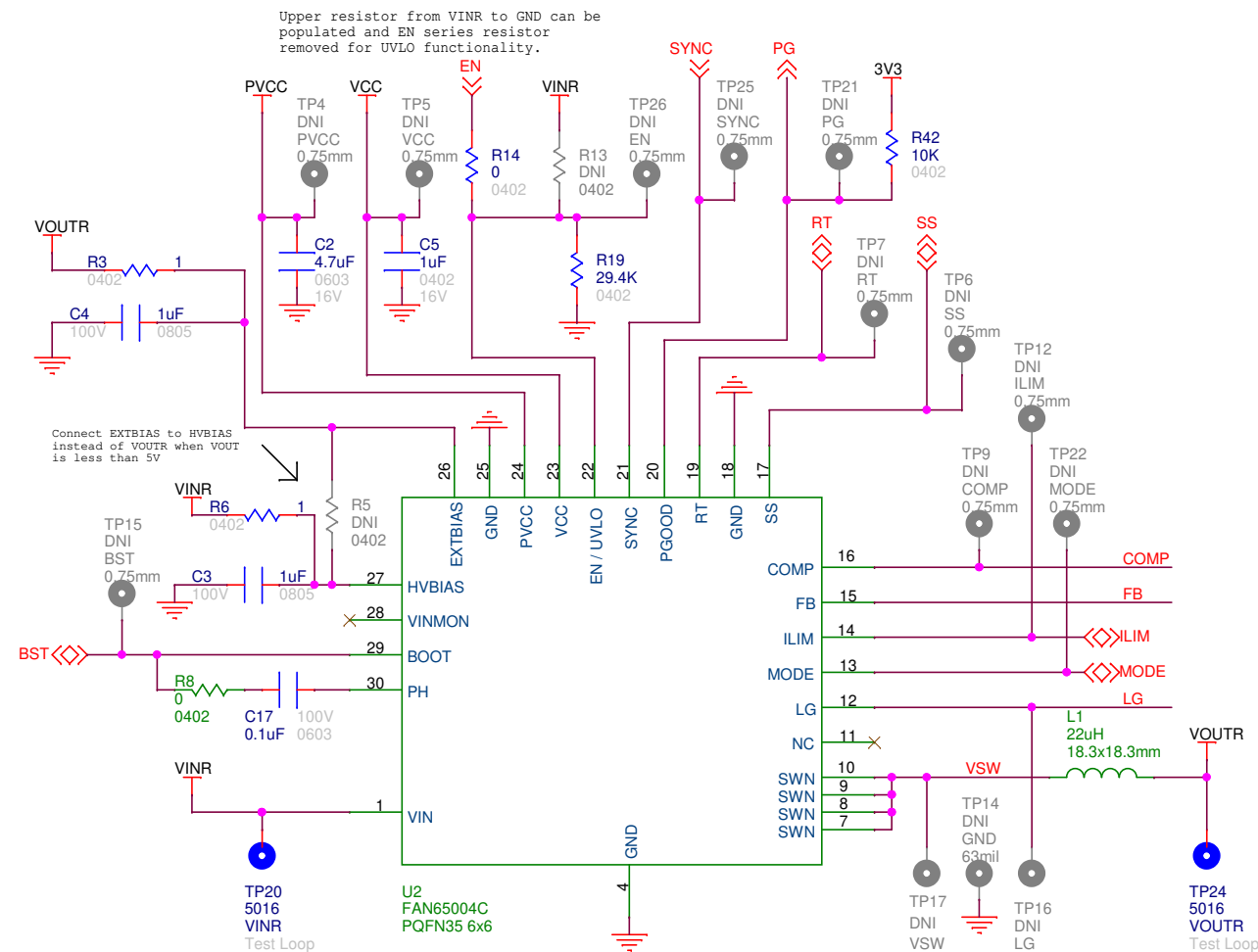
Comment Legend

- - - - - • Required Hardware
- - - - - • Optional Hardware
- - - - - • Telemetry Hardware

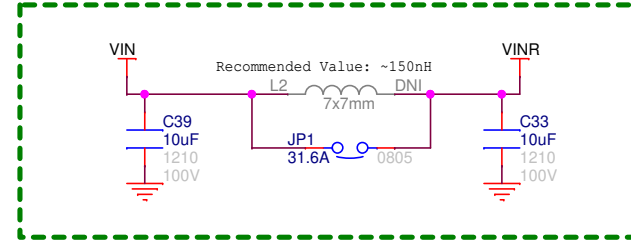
ON Semiconductor		
Title FAN6500XX Sync Buck Converter	Orderable Part Number STR-FAN6500XX-GEVB	
Variant Name FAN65004C	Document Number ONSEC-19-005	Rev REV2
Date: Friday, December 18, 2020	Sheet	1 of 7

FAN6500XX Sync Buck

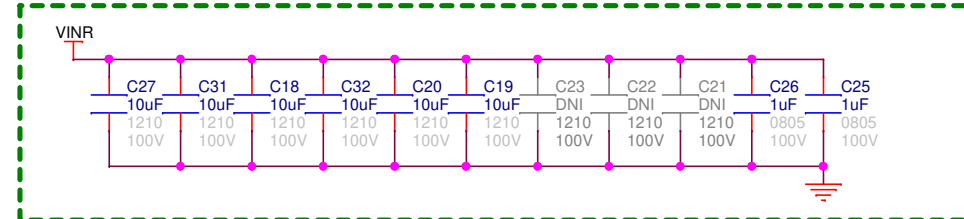
FAN6500XX Controller



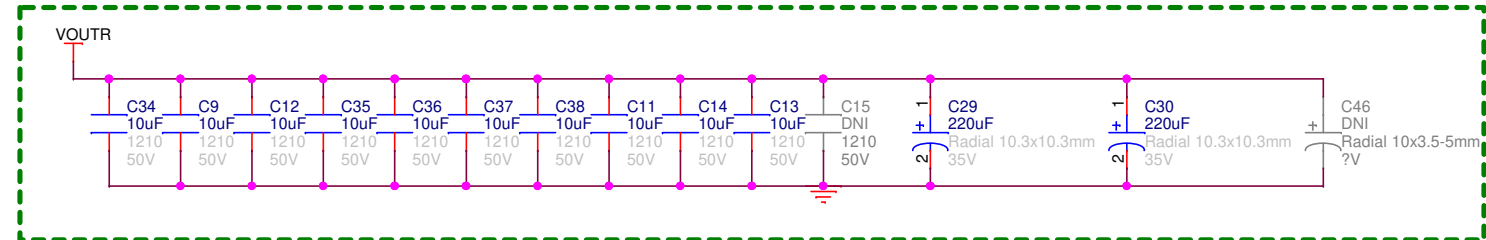
Input Filter



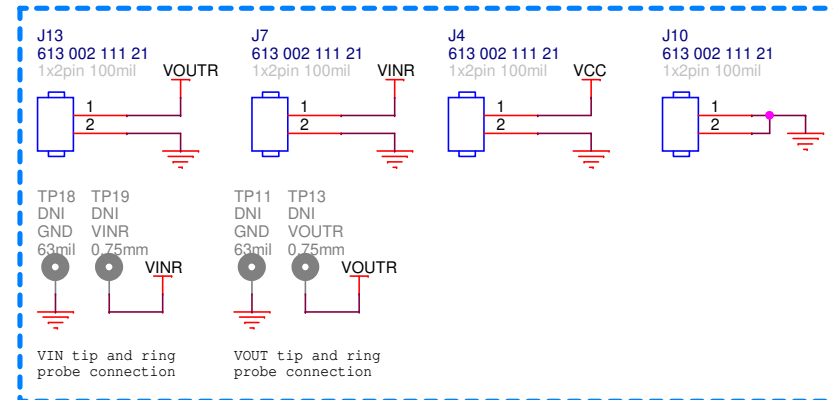
Input Capacitors



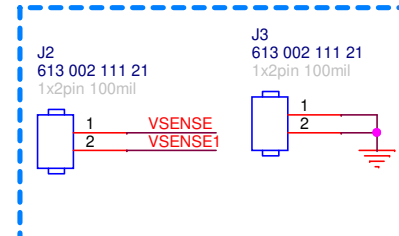
Output Capacitors



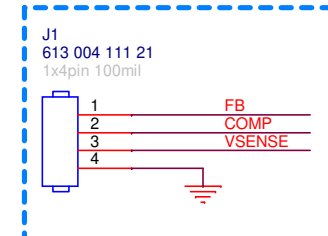
Headers and Test Points



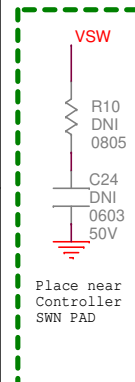
Bode Connection



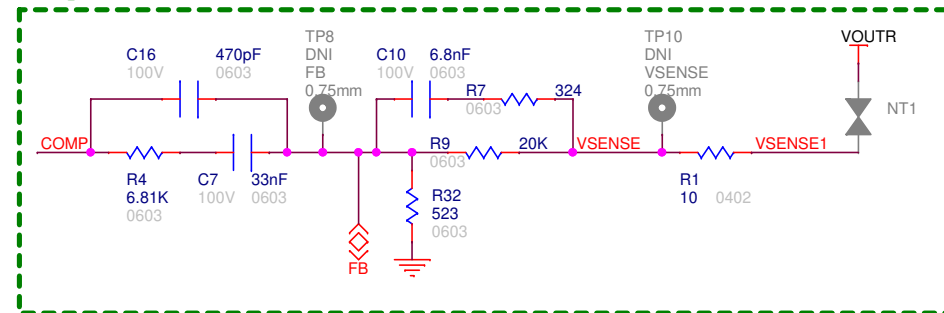
Tuning Connection



Snubber



Compensation

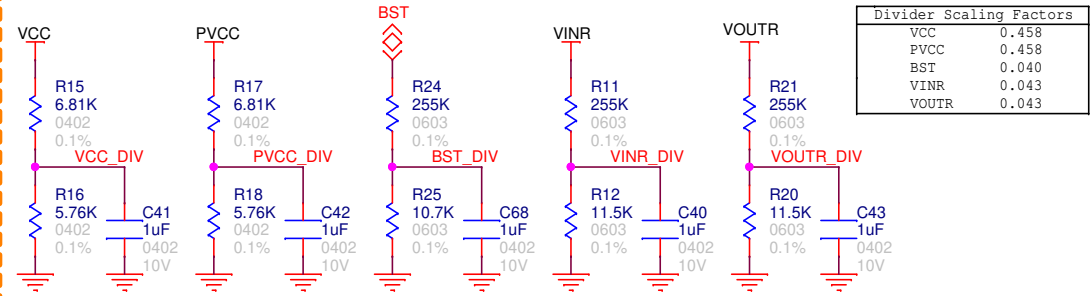


ON Semiconductor

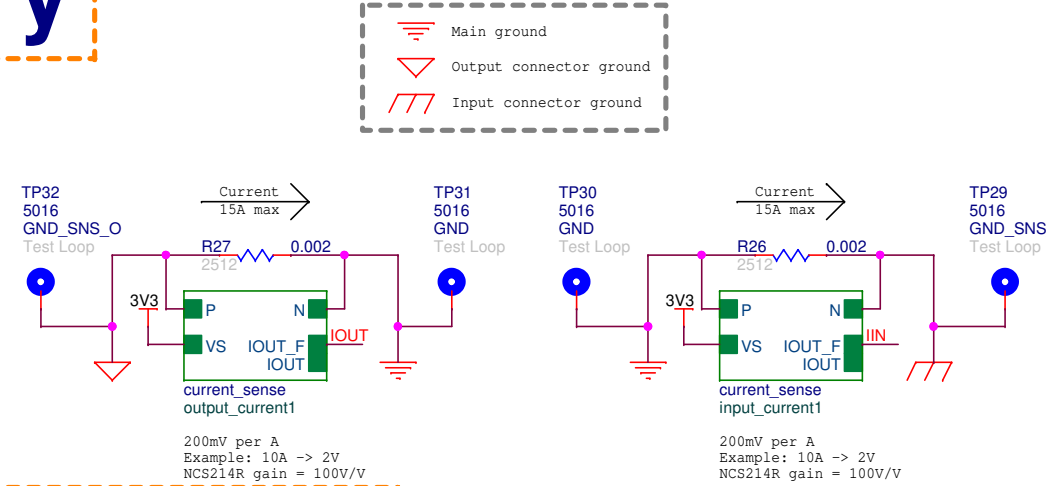
Title FAN6500XX Sync Buck Converter		Orderable Part Number STR-FAN6500XX-GEVB	
Variant Name FAN65004C		Document Number ONSEC-19-005	Rev REV2
Date: Friday, December 18, 2020		Sheet 2 of 7	

Strata Assisted/Telemetry

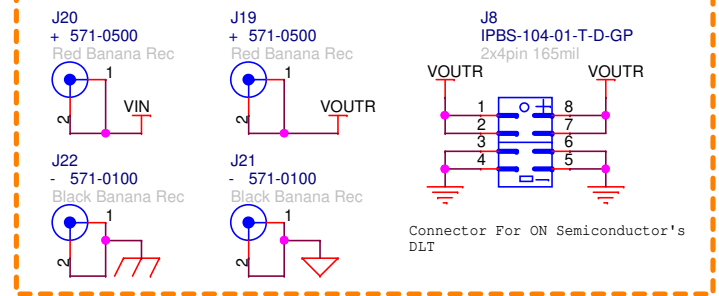
ADC Voltage Dividers



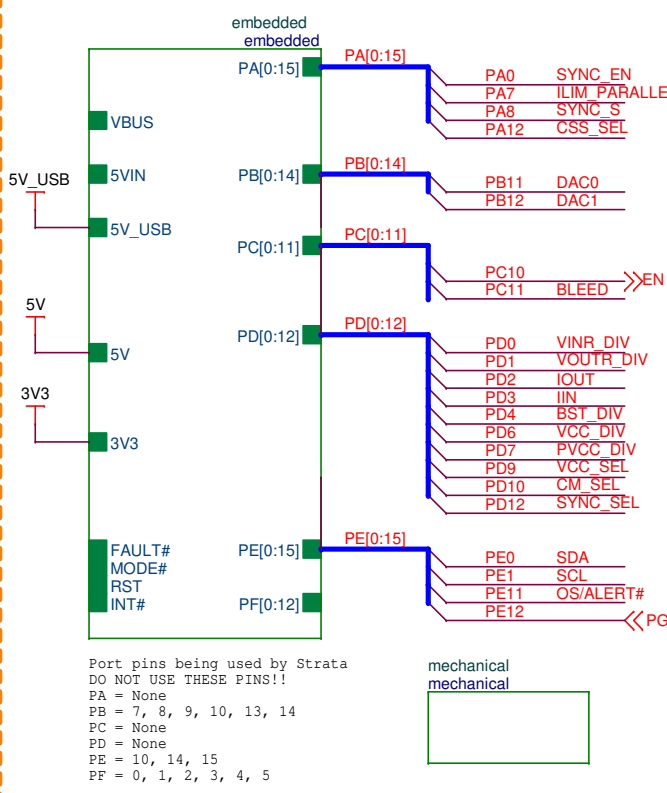
Telemetry



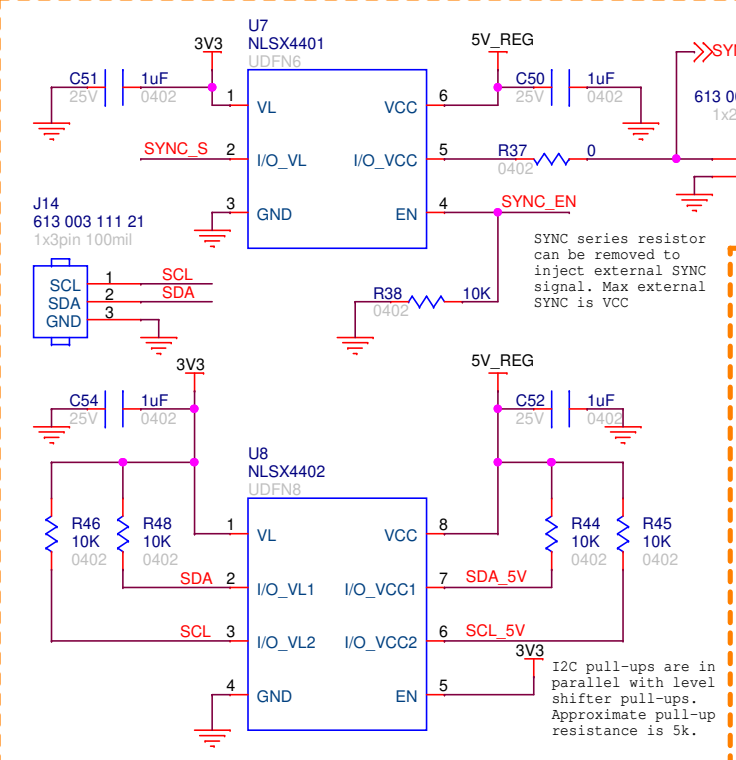
INPUT/OUTPUT Power Connectors



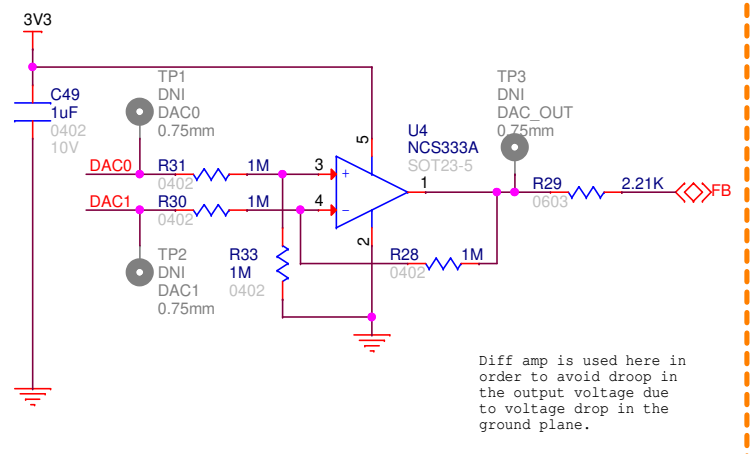
STRATA EMBEDDED



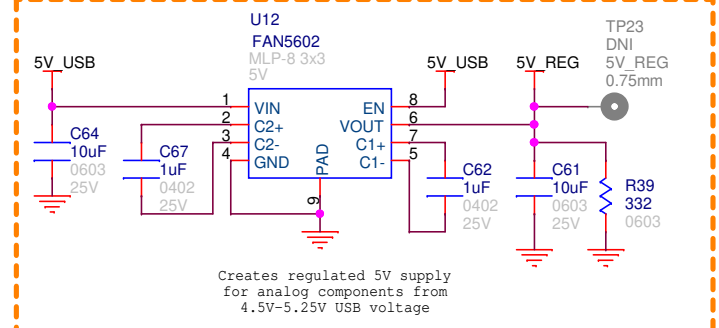
Level Shifters



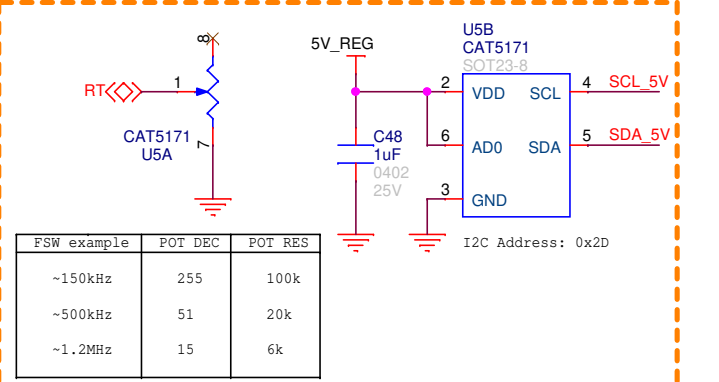
DAC Output Voltage Select



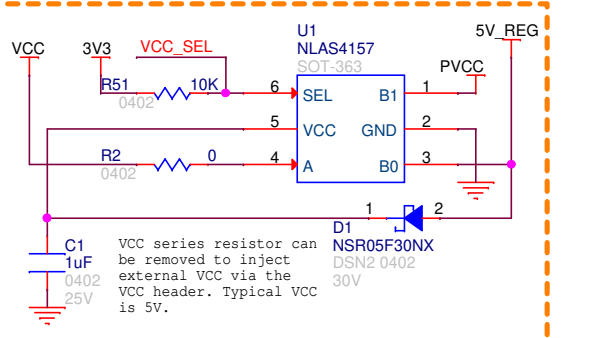
5V LDO/ Charge Pump



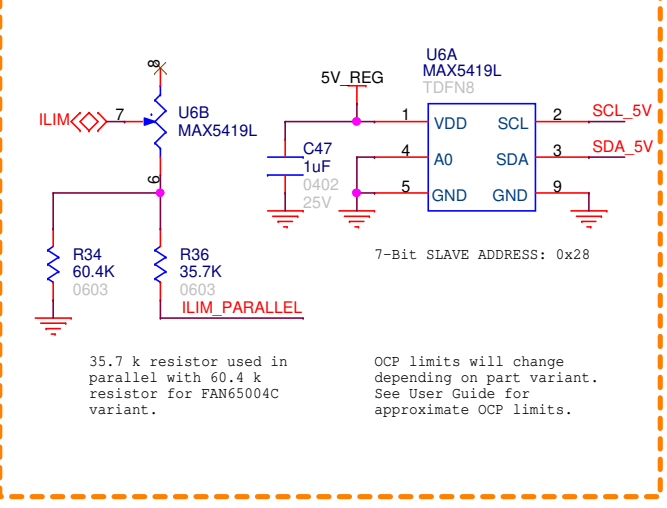
Switching Frequency Select



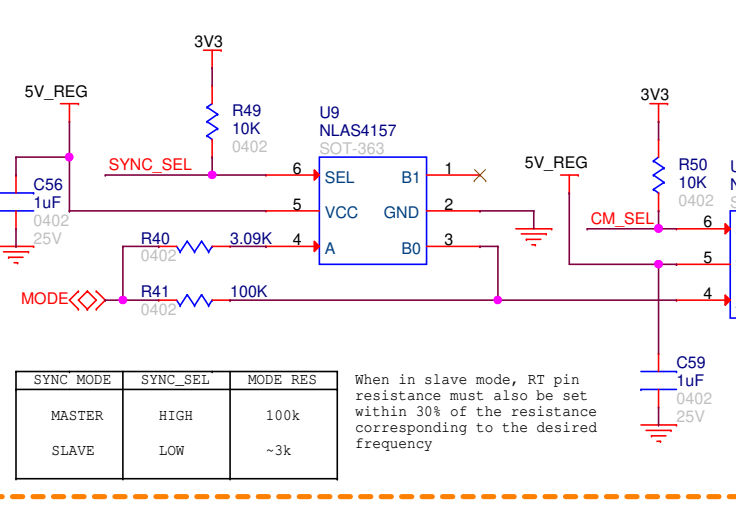
VCC Select Switch



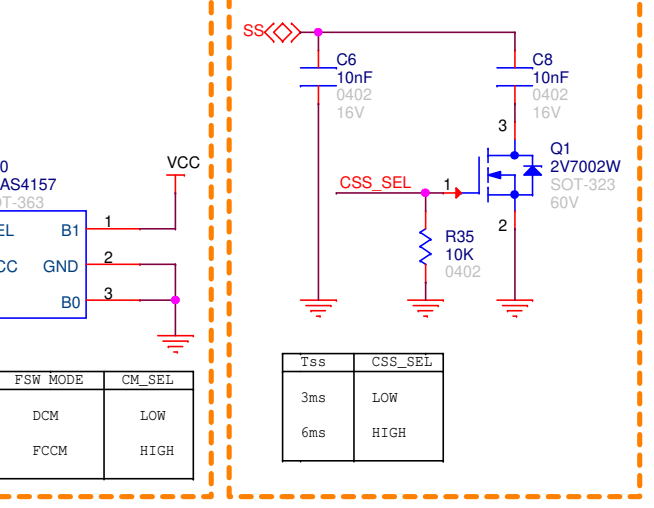
Strata OCP set



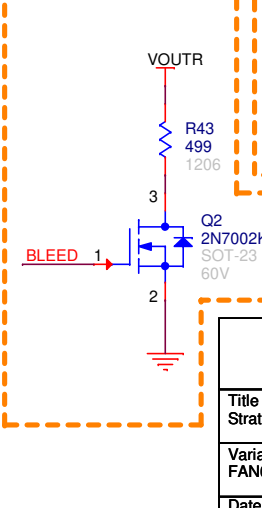
Strata MODE set



Soft-Start Select

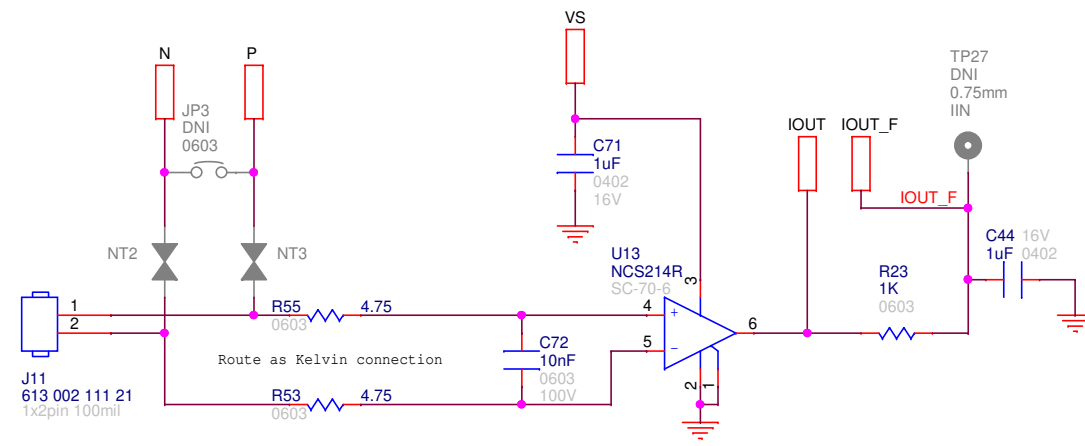


Bleeder

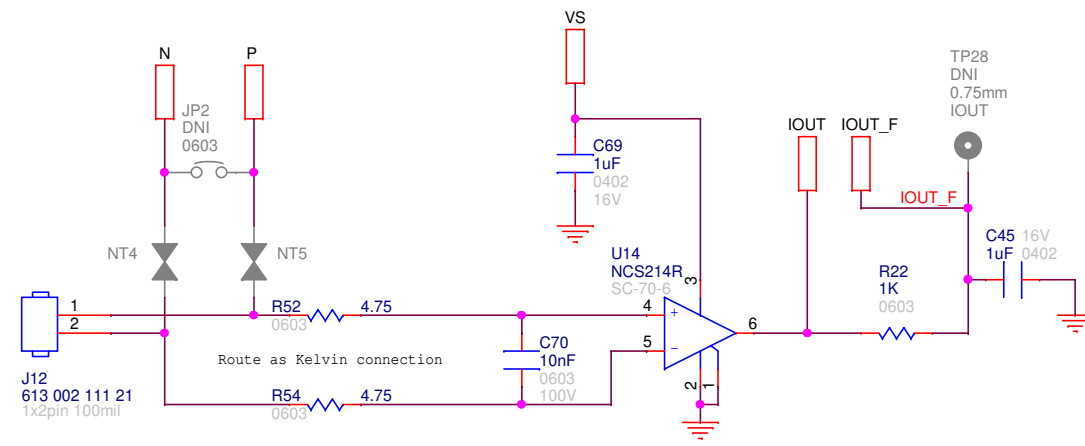


ON Semiconductor

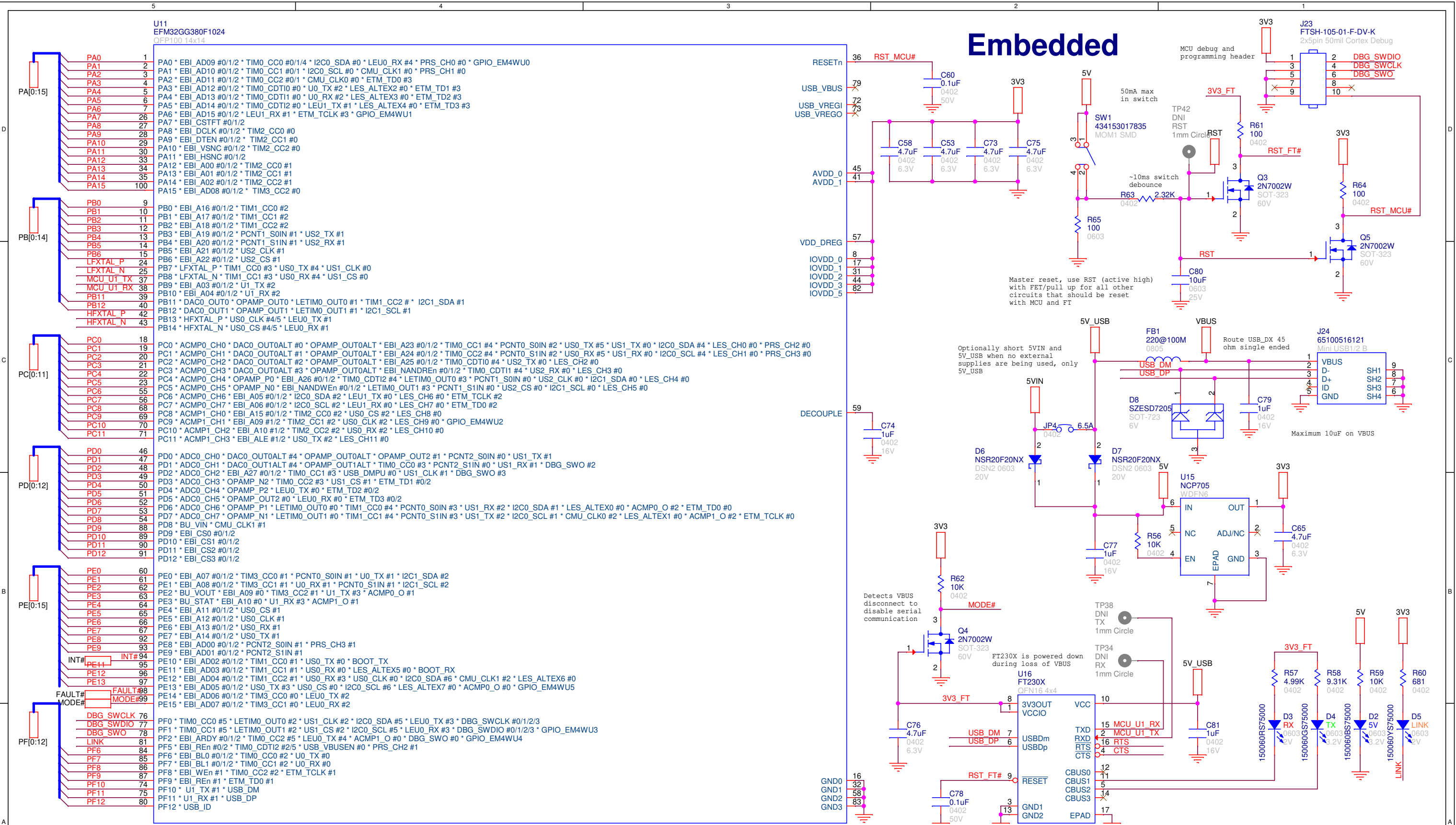
Title Strata Assisted/Telemetry		Orderable Part Number STR-FAN6500XX-GEVB	
Variant Name FAN65004C		Document Number ONSEC-19-005	Rev REV2
Date: Friday, December 18, 2020		Sheet	3 of 7



ON Semiconductor		
Title Input Current Sense		Orderable Part Number STR-FAN6500XX-GEVB
Variant Name FAN65004C	Document Number ONSEC-19-005	Rev REV2
Date: Friday, December 18, 2020	Sheet 4 of 7	1



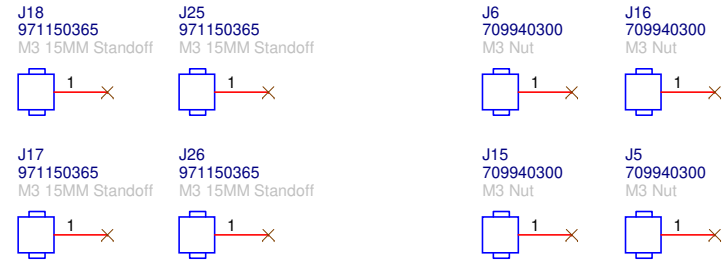
ON Semiconductor		
Title Output Current Sense		Orderable Part Number STR-FAN6500XX-GEVB
Variant Name FAN65004C	Document Number ONSEC-19-005	Rev REV2
Date: Friday, December 18, 2020	Sheet 5 of 7	1



Embedded

ON Semiconductor	
Title Embedded	Orderable Part Number STR-FAN6500XX-GEVB
Variant Name FAN65004C	Document Number ONSEC-19-005
Date: Friday, December 18, 2020	Rev REV2
Sheet 6 of 7	

Mechanical



ON Semiconductor		
Title Mechanical	Orderable Part Number STR-FAN6500XX-GEVB	
Variant Name FAN65004C	Document Number ONSEC-19-005	Rev REV2
Date: Friday, December 18, 2020	Sheet 7 of 7	1