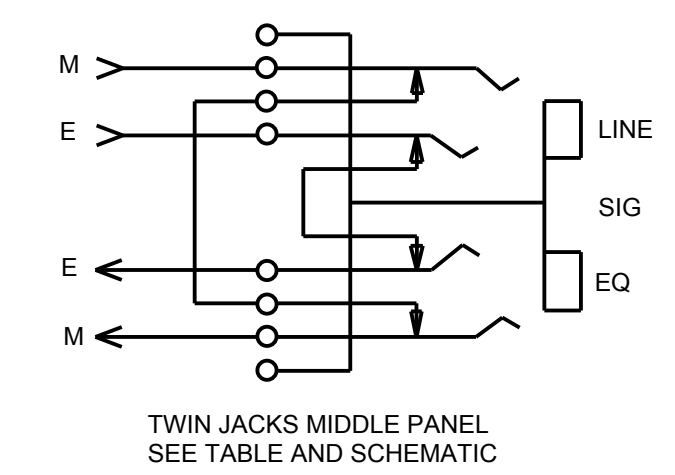
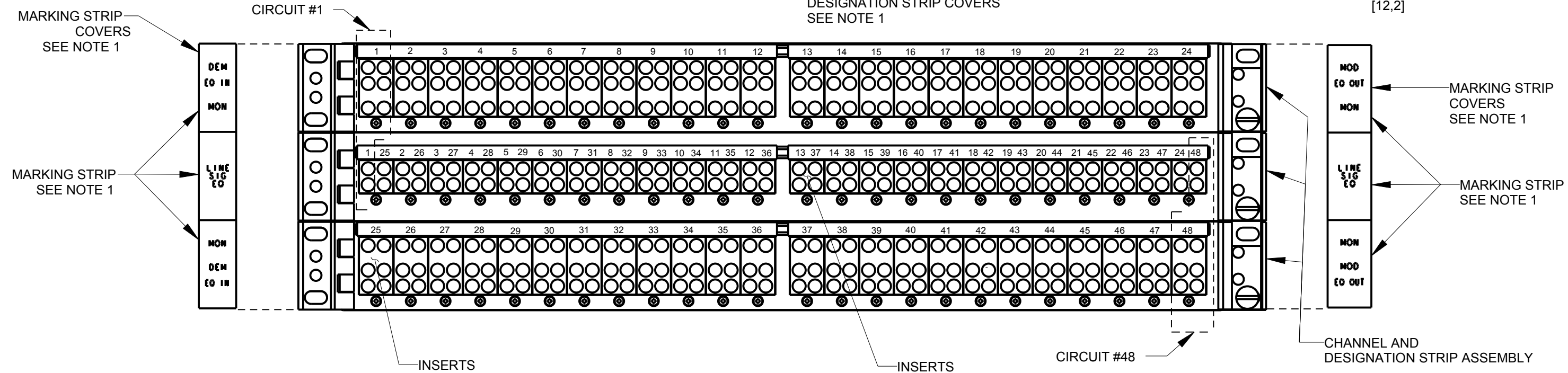
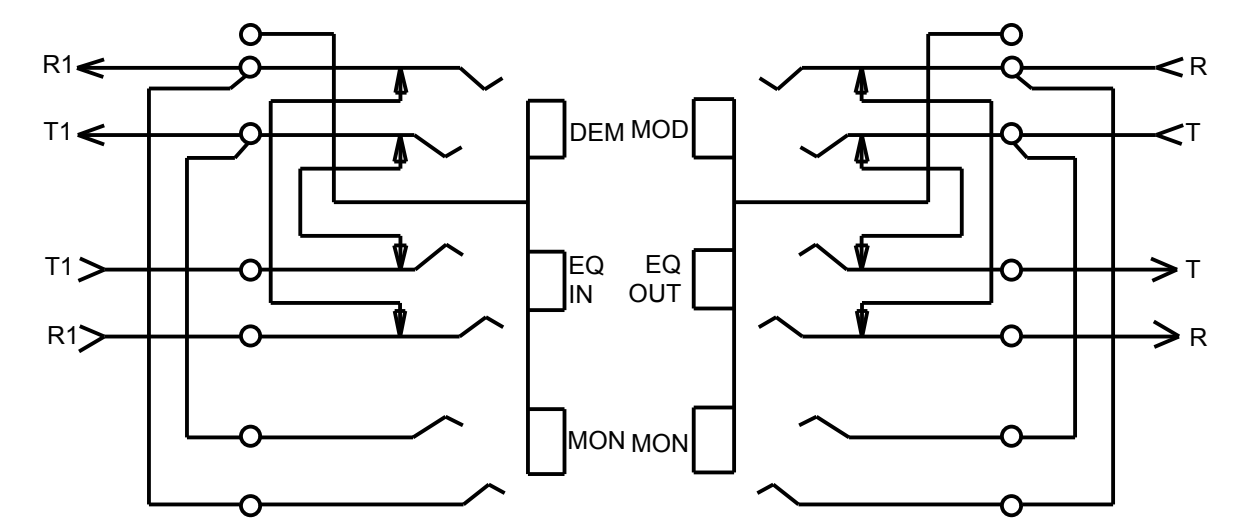
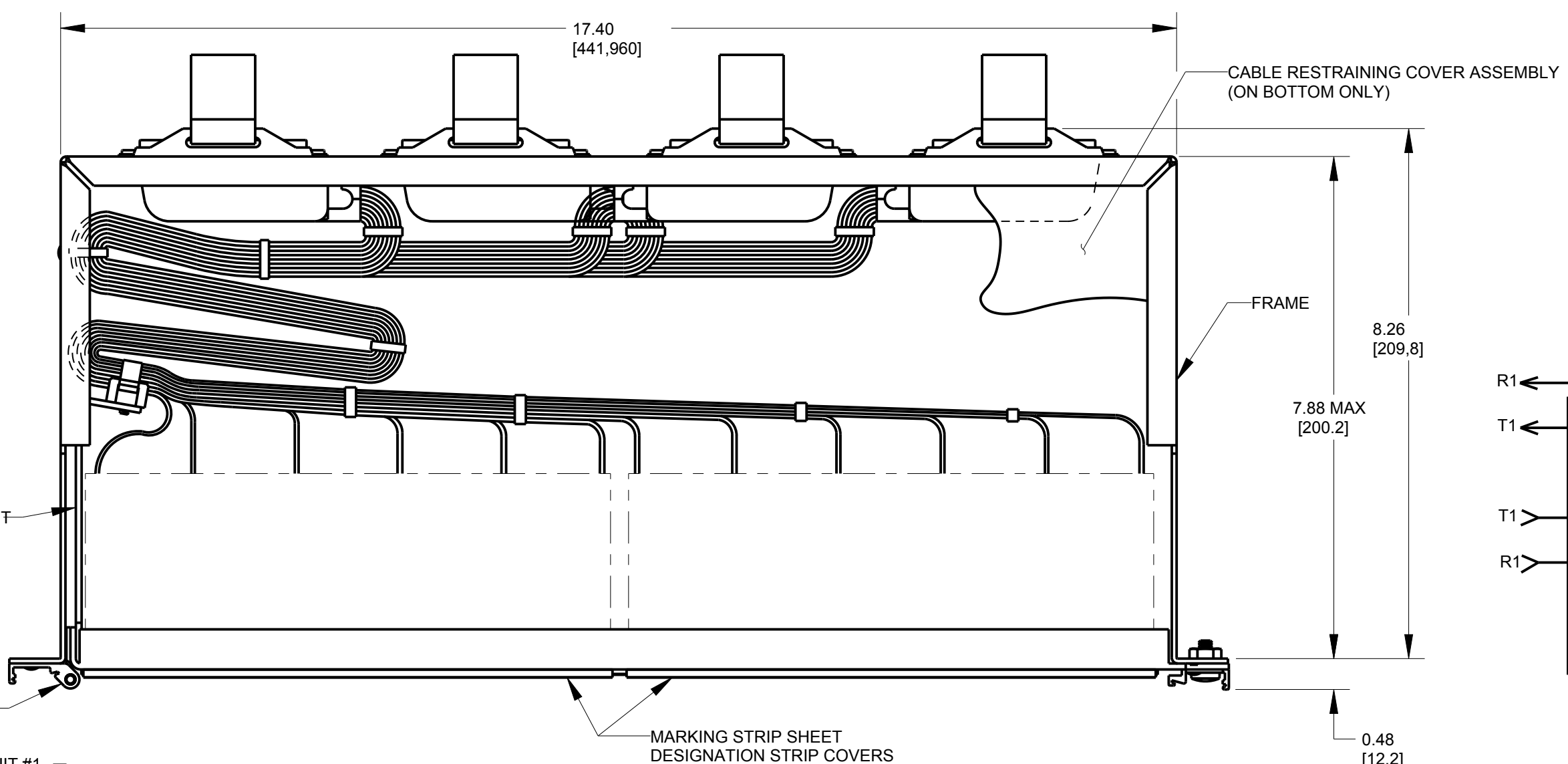


CONNECTION TABLE

TO PLUG CONNECTOR		PIN		TO RECEPTACLE CONNECTOR		PIN	
CIRCUIT 1	DEM	TI	26	CIRCUIT 1	MOD	T	26
		RI	1			R	1
REPEATED				REPEATED			
CIRCUIT 24	DEM	TI	49	CIRCUIT 24	MOD	T	49
		RI	24			R	24
CIRCUIT 25	DEM	TI	26	CIRCUIT 25	MOD	T	26
		RI	1			R	1
REPEATED				REPEATED			
CIRCUIT 48	DEM	TI	49	CIRCUIT 48	MOD	T	49
		RI	24			R	24
CIRCUIT 1	EQ OUT	T	26	CIRCUIT 1	EQ IN	TI	26
		R	1			RI	1
REPEATED				REPEATED			
CIRCUIT 24	EQ OUT	T	49	CIRCUIT 24	EQ IN	TI	49
		R	24			RI	24
CIRCUIT 25	EQ OUT	T	26	CIRCUIT 25	EQ IN	T1	26
		R	1			R1	1
REPEATED				REPEATED			
CIRCUIT 48	EQ OUT	T	49	CIRCUIT 48	EQ IN	TI	49
		R	24			RI	24
CIRCUIT 1	SIG EQ	E	26	CIRCUIT 1	SIG LINE	E	26
		M	1			M	1
REPEATED				REPEATED			
CIRCUIT 24	SIG EQ	E	49	CIRCUIT 24	SIG LINE	E	49
		M	24			M	24
CIRCUIT 25	SIG EQ	E	26	CIRCUIT 25	SIG LINE	E	26
		M	1			M	1
REPEATED				REPEATED			
CIRCUIT 48	SIG EQ	E	49	CIRCUIT 48	SIG LINE	E	49
		M	24			M	24



SCHEMATIC TYPICAL OF 48 CIRCUITS **CUSTOMER DRAWING**

NOTES:
1. MARKING STRIPS AND COVERS SHIPPED UNASSEMBLED.

★ STAR SYMBOL DENOTES CRITICAL DIMENSION				THIS DRAWING DESCRIBES A DESIGN CONSIDERED PROPRIETARY IN NATURE, DEVELOPED AND MANUFACTURED BY SWITCHCRAFT INC. AND IS RELEASED ON A CONFIDENTIAL BASIS FOR IDENTIFICATION PURPOSES ONLY.			
UNLESS OTHERWISE SPECIFIED				SIZE	WIDTH	MULT	LBS/M
1. ALL DIMENSIONS IN INCHES -TWO PLACE DECIMALS ±0.01 -THREE PLACE DECIMALS ±0.005 -ANGLES ±1° -ALL DIA. CONCENTRIC WITHIN 0.005 T.I.R.				FINISH	MATERIAL SPEC No.		
2. FEATURES ON THE SAME CENTERLINE MUST BE ALIGNED WITHIN ±0.002				FIRST USED ON	SCALE 1:2		
3. REMOVE ALL BURRS				DATE DRAWN	BY	CHKD	APVD
DO NOT SCALE DRAWING				2-26-76	KB	EN 3-29-76	JF 9-5-01
REVISIONS				NAME		PART No.	
F	27999	02-08-18	PC TJK	6 WIRE CONNECTORIZED JACKFIELD		TT6W48MCF1	
E	23554	11-19-12	TO TJK			SHEET 1 OF 1	
REV	ECO NUMBER	DATE	BY APVD			REV F	