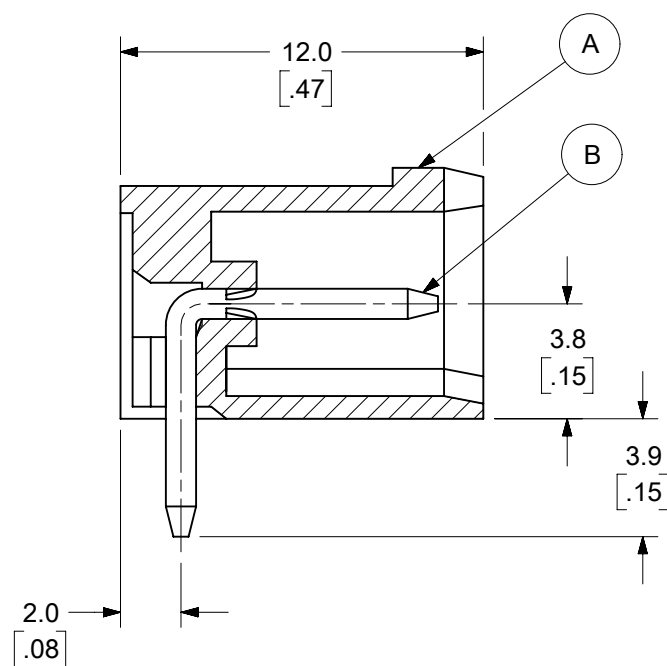
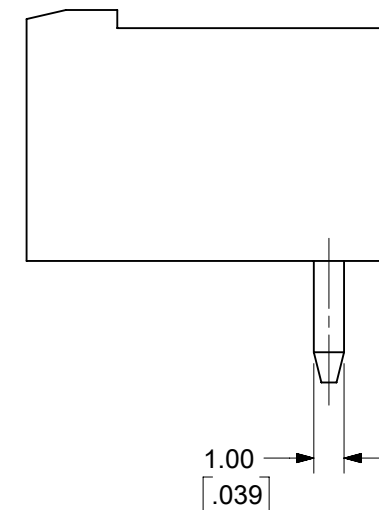
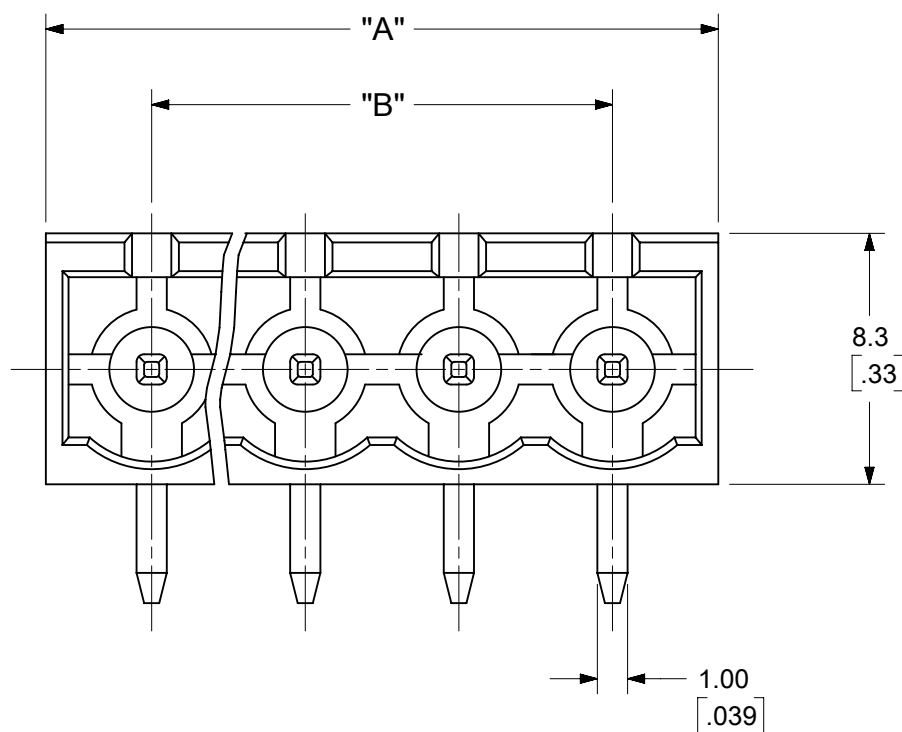
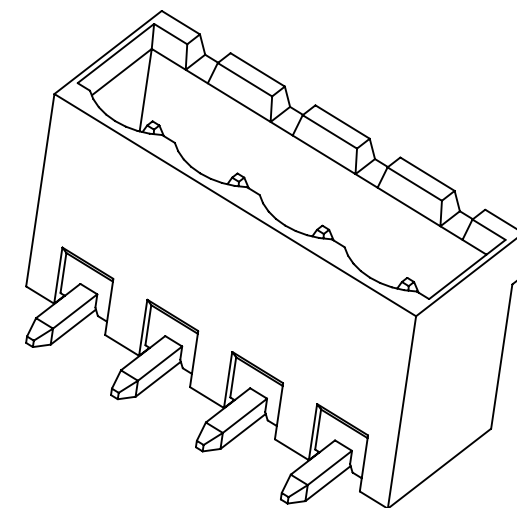
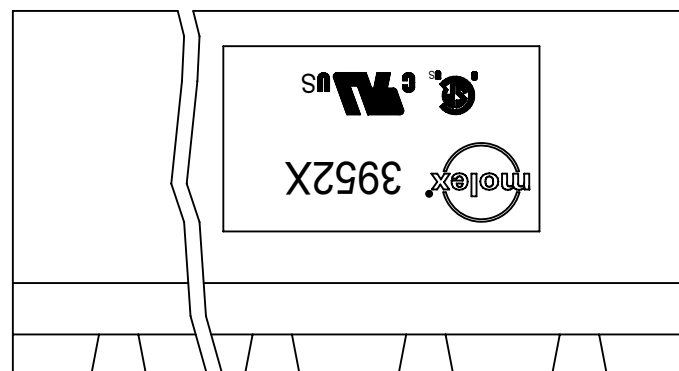


PCB LAYOUT



SPECIFICATIONS:

1. MATERIAL:

- (A). BODY: PA66 (UL94-V0)
- (B). PIN MATERIAL: BRASS

PIN FINISH:

- TIN - 3 µm (118 µin) MIN MATTE TIN
- OVER 2 µm (79 µin) MIN NICKEL
- GOLD - 0.76 µm (30 µin) MIN GOLD IN CONTACT AREA, 3 µm (118 µin) MIN MATTE TIN IN SOLDER AREA.
- 2 µm (79 µin) MIN NICKEL UNDERPLATE

- 2. ELECTRICAL RATING: 300V, 18A (PER UL)
- 3. OPERATING TEMPERATURE: -40°C to +115°C.
- 4. INSULATION RESISTANCE: DC 500V, 500MΩ.
- 5. DIELECTRIC WITHSTAND: AC 2500V FOR 1 MINUTE.
- 6. BREAKDOWN VOLTAGE : 4000V.

TOLERANCES			
MM	TOL	INCH	TOL
0-6	±0.25	0-.24	±.010
>6-30	±0.40	.24-1.18	±.016
>30-120	±0.50	1.18-4.76	±.020
>120	±0.80	>4.76	±.031

FUNCTIONAL SYMBOLS		THIS DRAWING CONTAINS INFORMATION THAT IS PROPRIETARY TO MOLEX ELECTRONIC TECHNOLOGIES, LLC AND SHOULD NOT BE USED WITHOUT WRITTEN PERMISSION		CURRENT REV DESC: MODIFIED SPECIFICATIONS			
DIMENSION UNITS		SCALE		EC NO: 735568			
MM/INCH		4:1		DRWN: ABENJAMINLW 2023/01/05		<b>5.0MM, EURO HEADER, RIGHT ANGLE</b>	
GENERAL TOLERANCES (UNLESS SPECIFIED)				CHKD: DACHAMMER 2023/01/17			
4 PLACES ± --- ± ---				APPR: JFMURPHY 2023/01/27		<b>PRODUCT CUSTOMER DRAWING</b>	
3 PLACES ± --- ± SEE CHART				INITIAL REVISION:			
2 PLACES ± SEE CHART ± SEE CHART				DRWN: LROTHAUS 2006/01/09		DOCUMENT NUMBER	
1 PLACE ± SEE CHART ± ---				APPR: JPAWLICK 2006/01/10		SD-39522-002	
0 PLACES ± --- ± ---				SERIES		DOC TYPE DOC PART REVISION	
ANGULAR TOL ± ---				39522		PSD 001 A3	
DRAFT WHERE APPLICABLE MUST REMAIN WITHIN DIMENSIONS		THIRD ANGLE PROJECTION		DRAWING		MATERIAL NUMBER CUSTOMER SHEET NUMBER	
				B-SIZE		SEE SHEET-2 GENERAL MARKET 1 OF 2	

