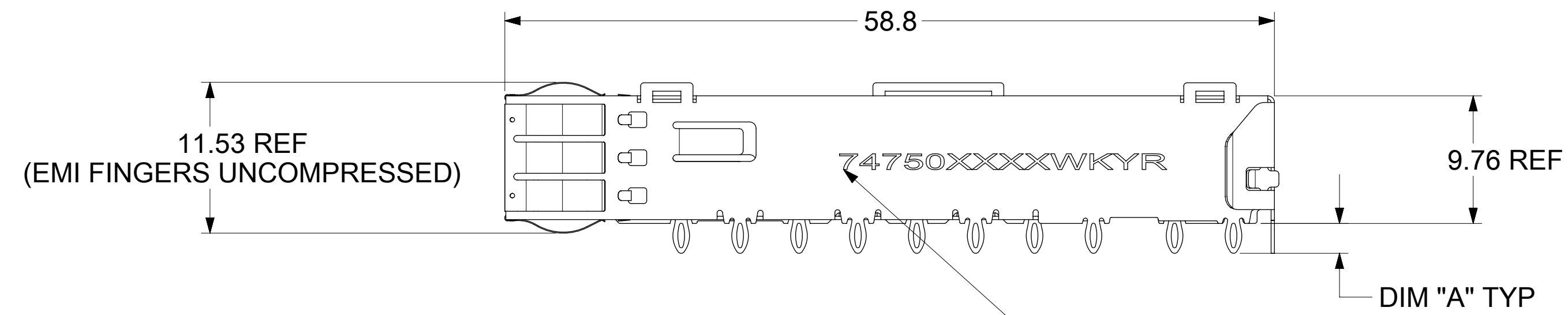
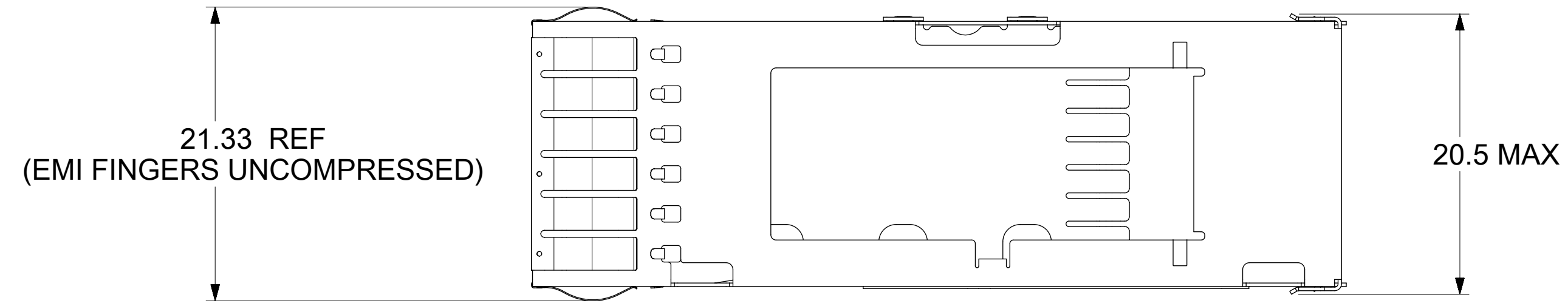


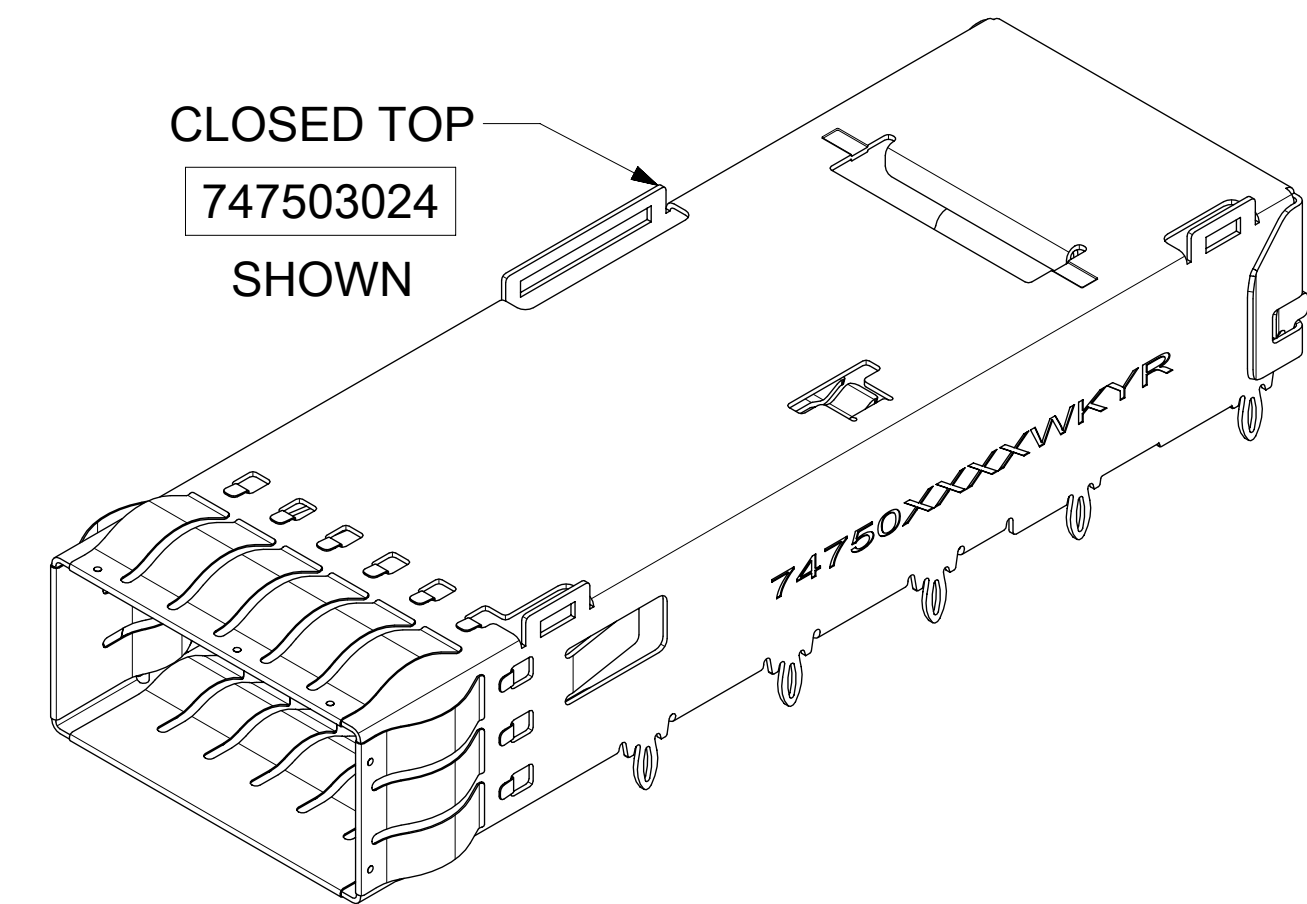
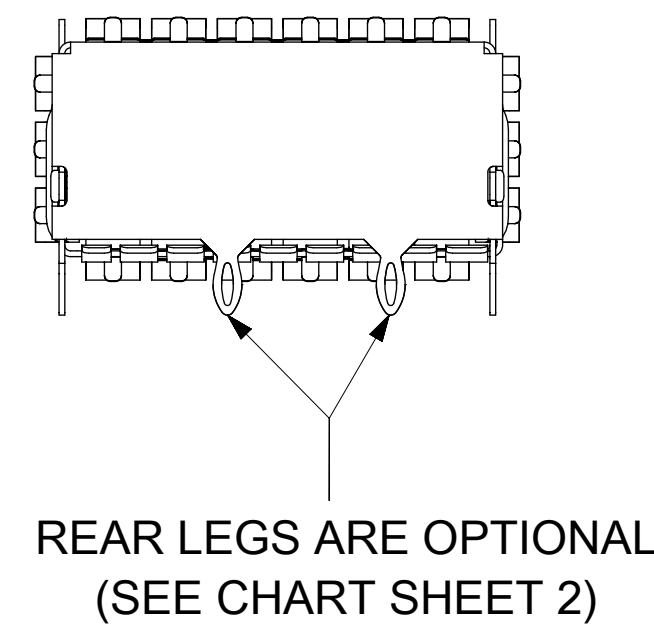
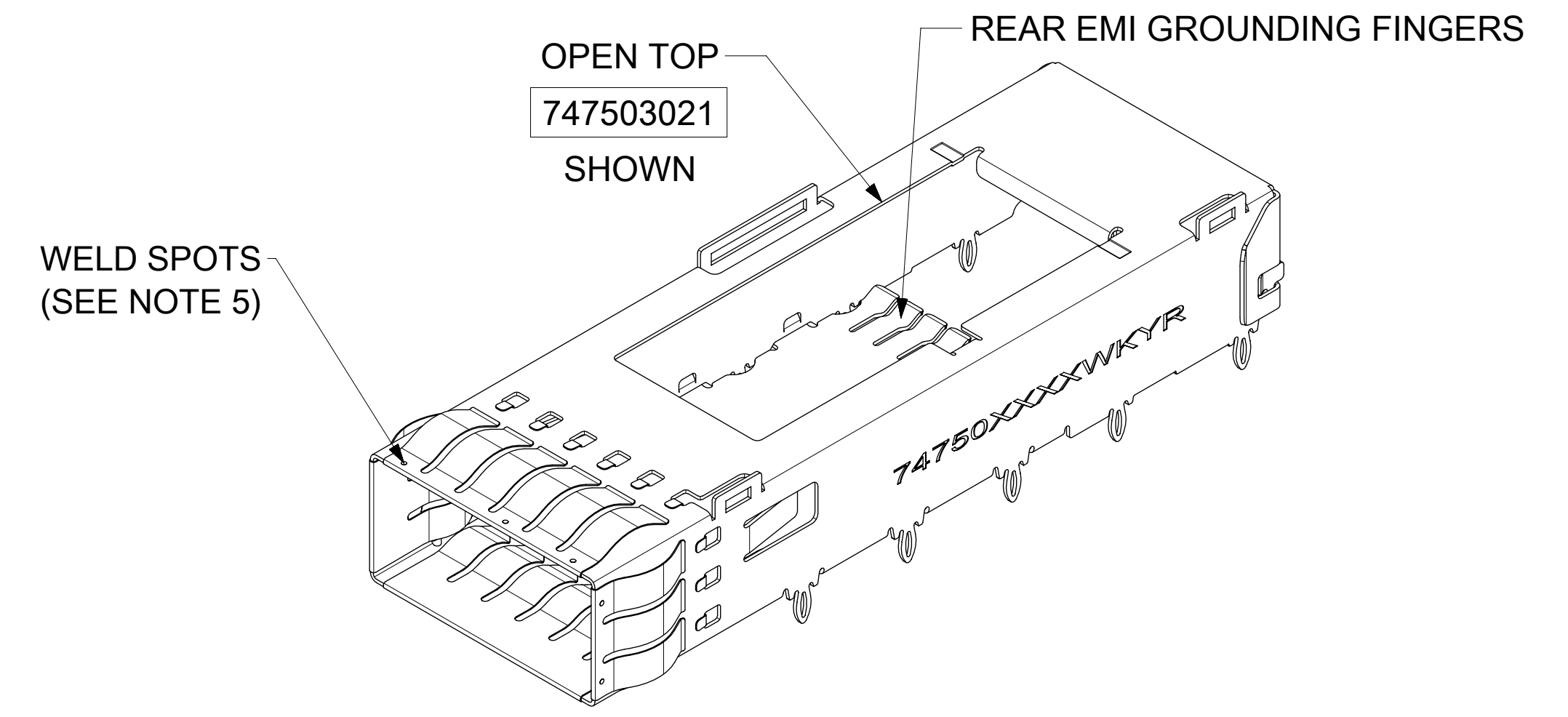
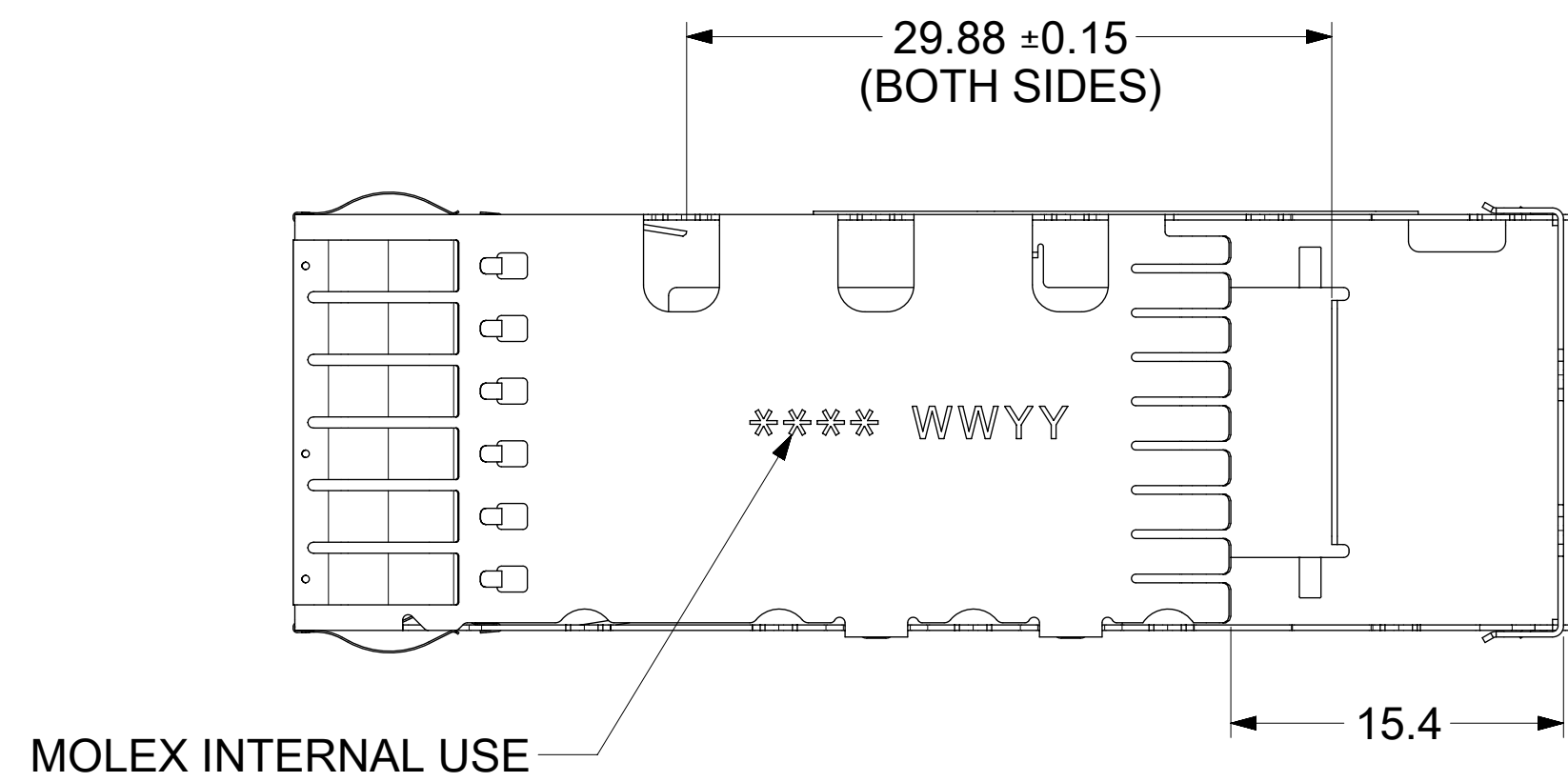
# BASE CAGE DETAILS

(APPLIES TO ALL CAGES IN THIS DRAWING)



PART NO. AND WEEK/YEAR DATE CODE TO BE PRINTED ON SIDE OF COMPLETED CAGE ASSEMBLY AS SHOWN.

WEEK/YEAR DATE CODE TABLE	
WK	01 THRU 52 EXAMPLE: 01 = FIRST WEEK OF YEAR 52 = LAST WEEK OF YEAR
YR	22, 23, 24 (ETC. EXAMPLE: YEAR 2022 = 22)

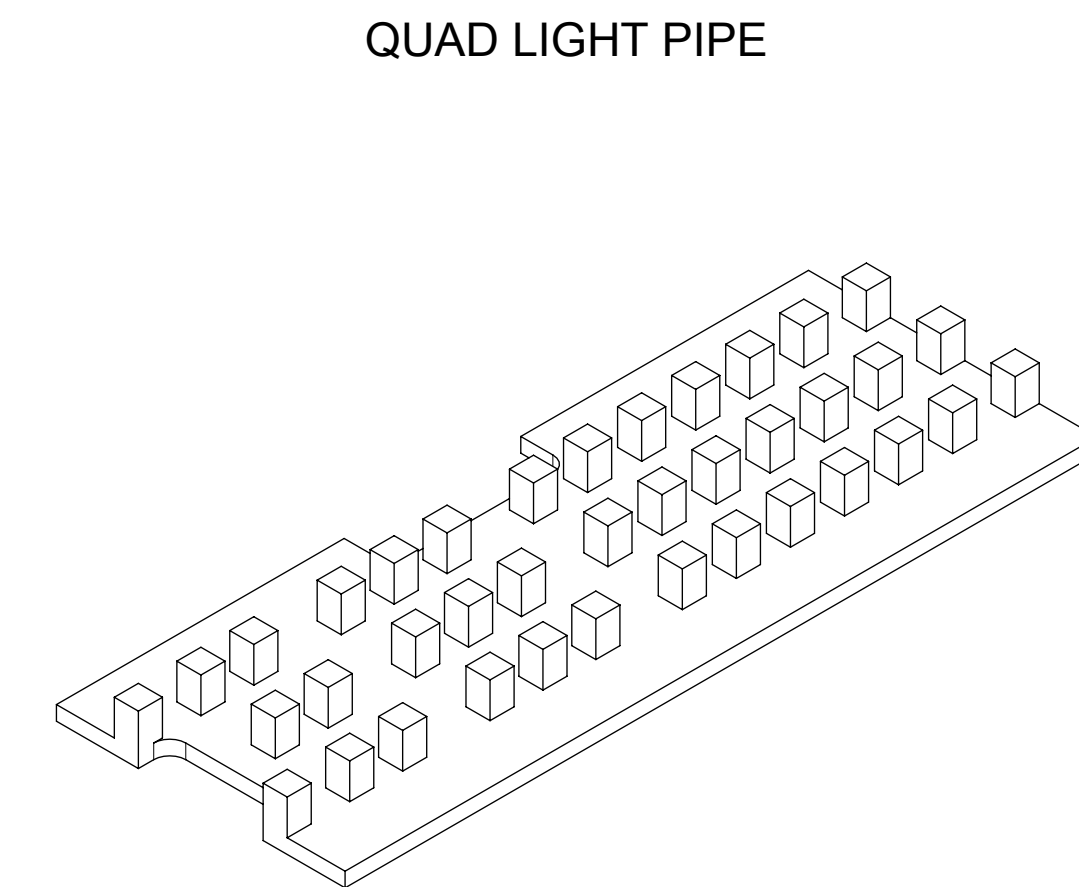
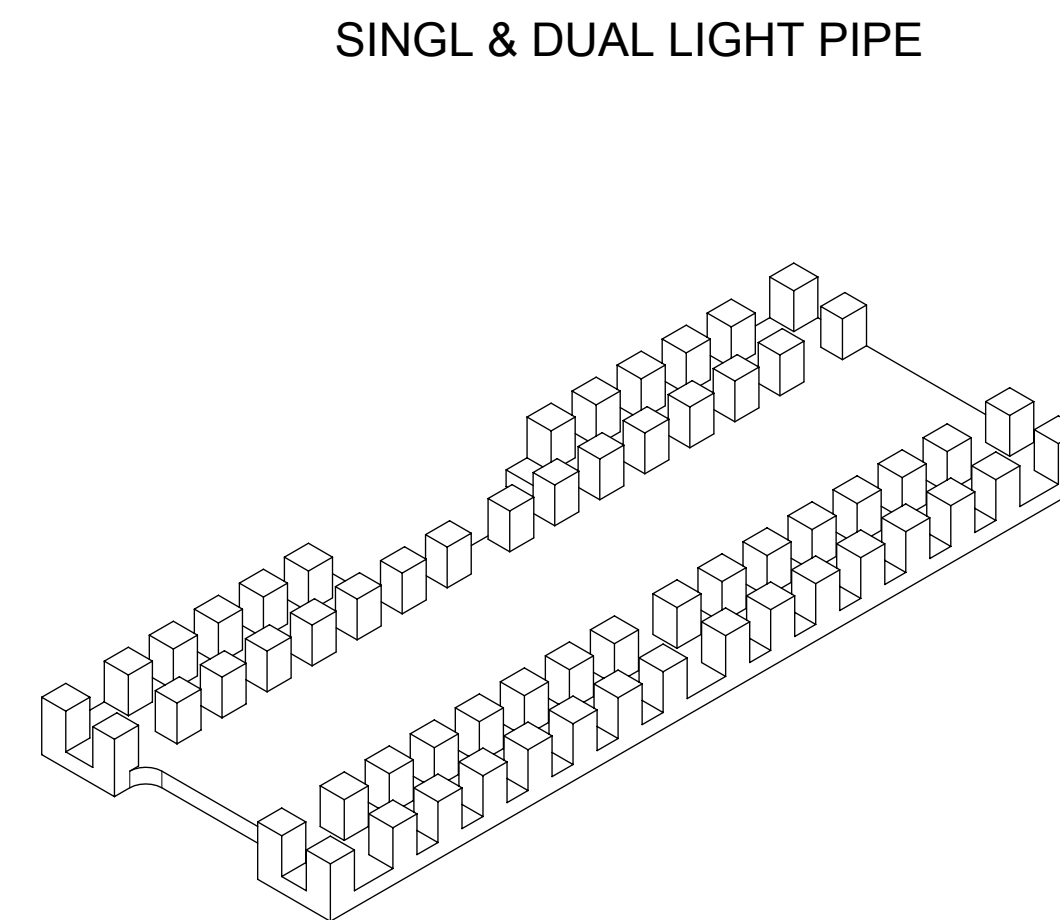
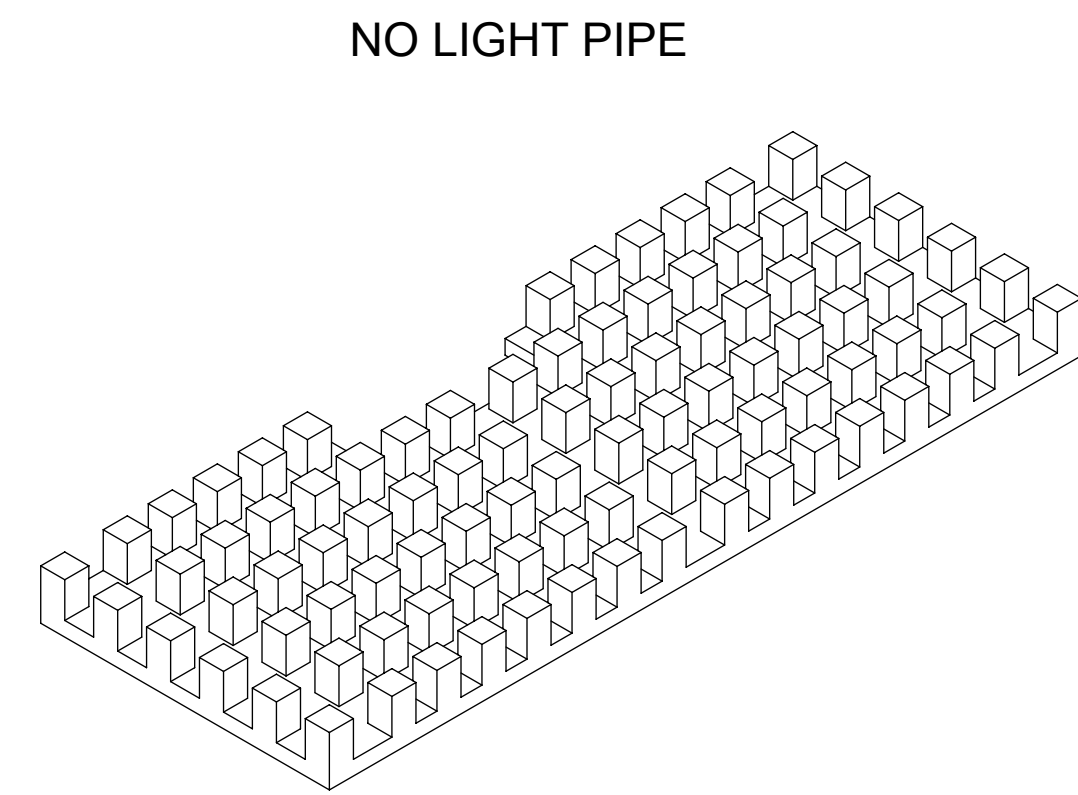
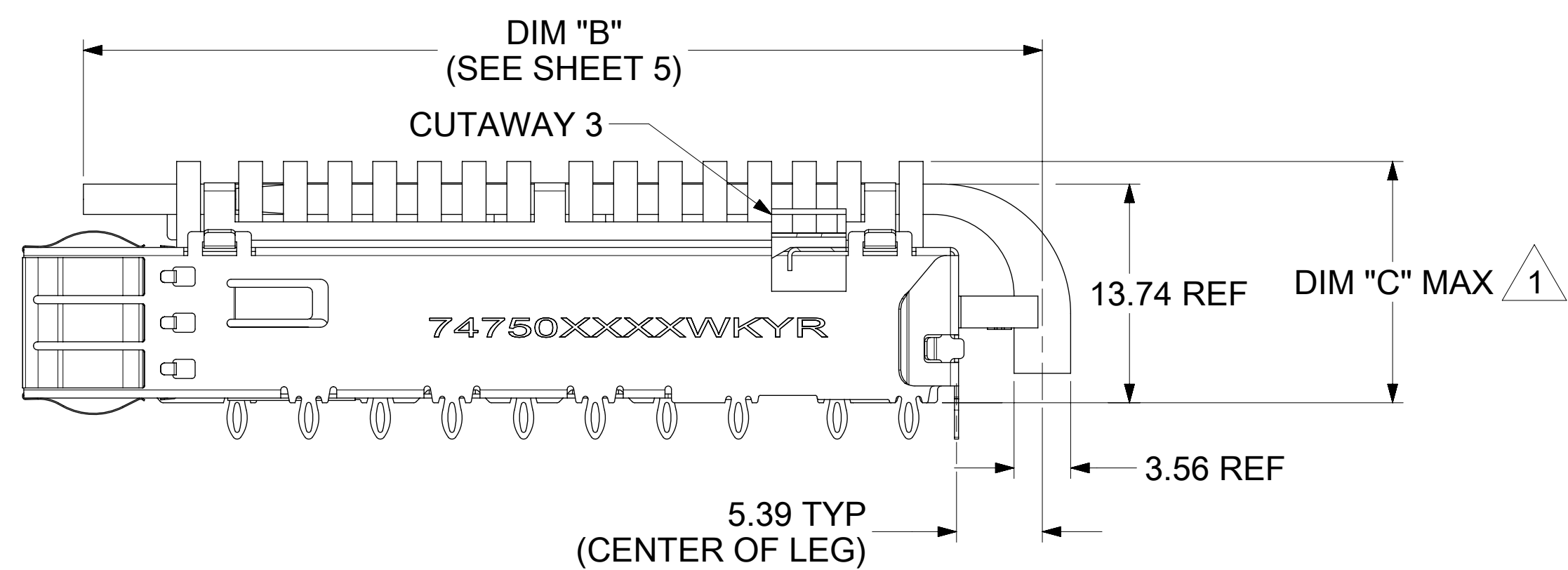


**NOTES:**

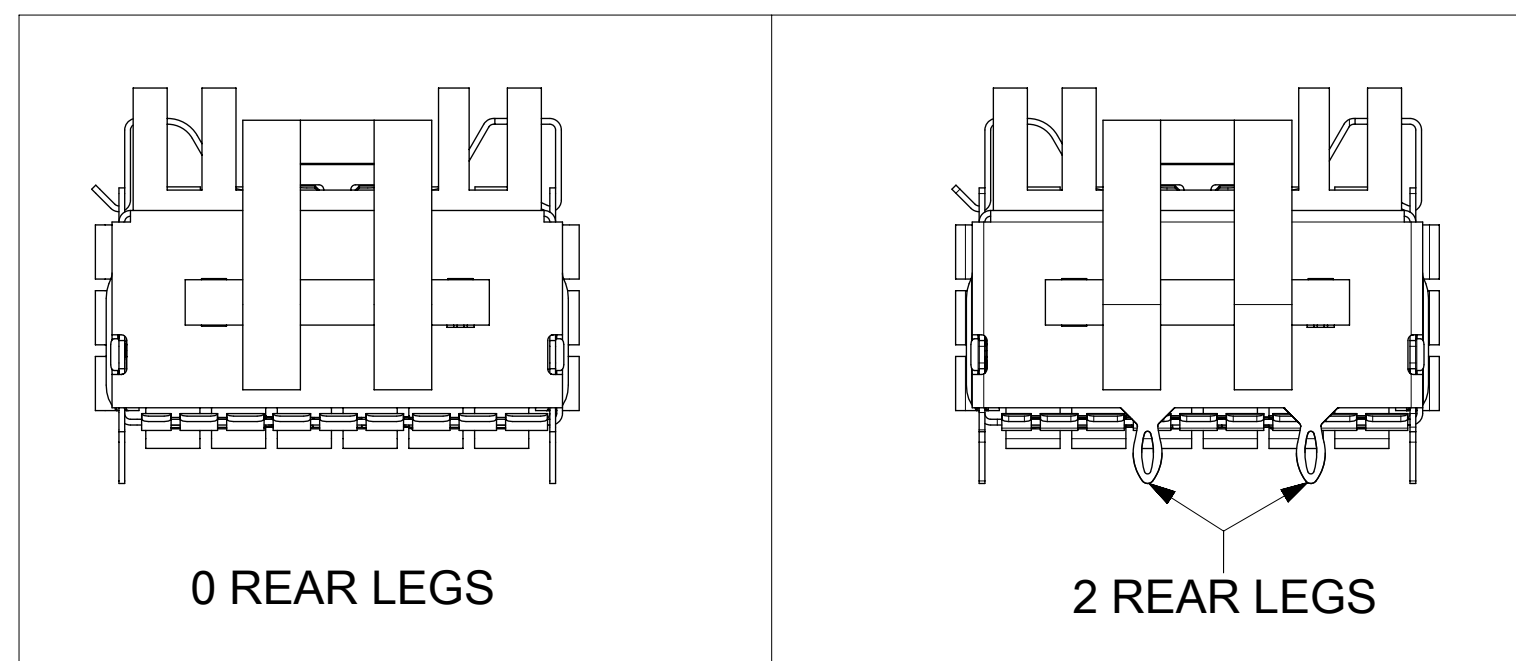
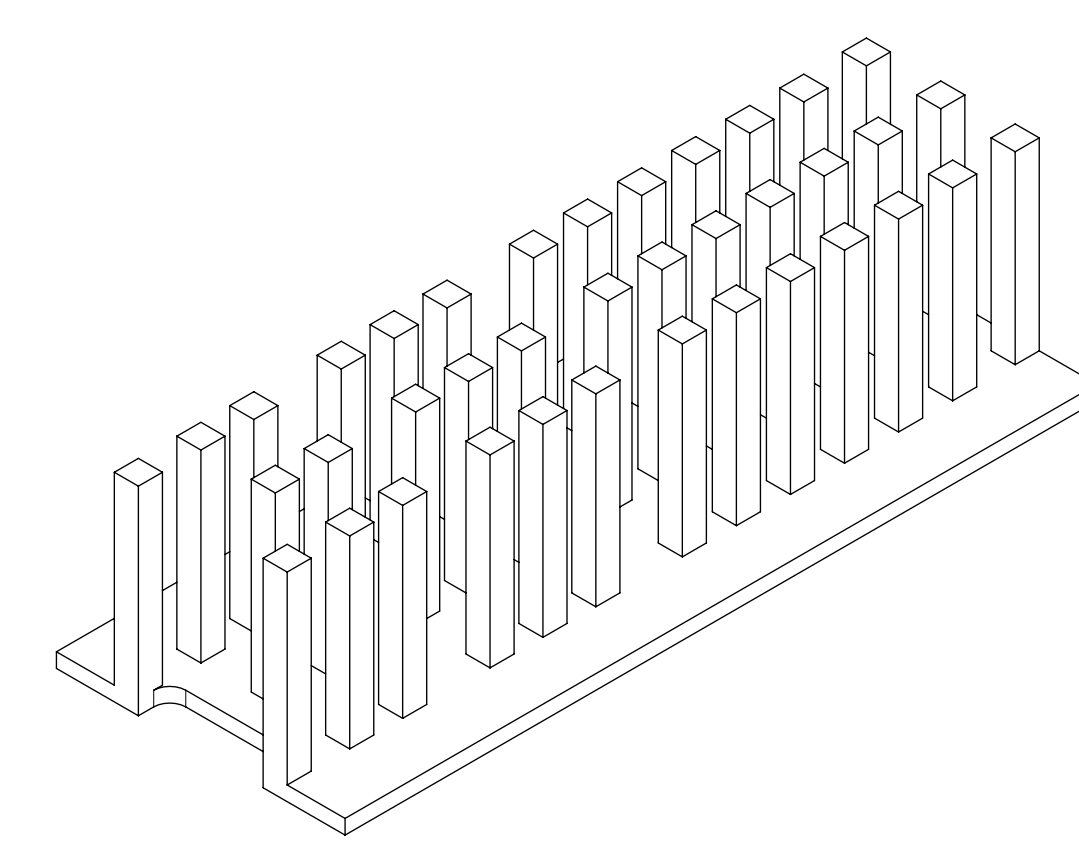
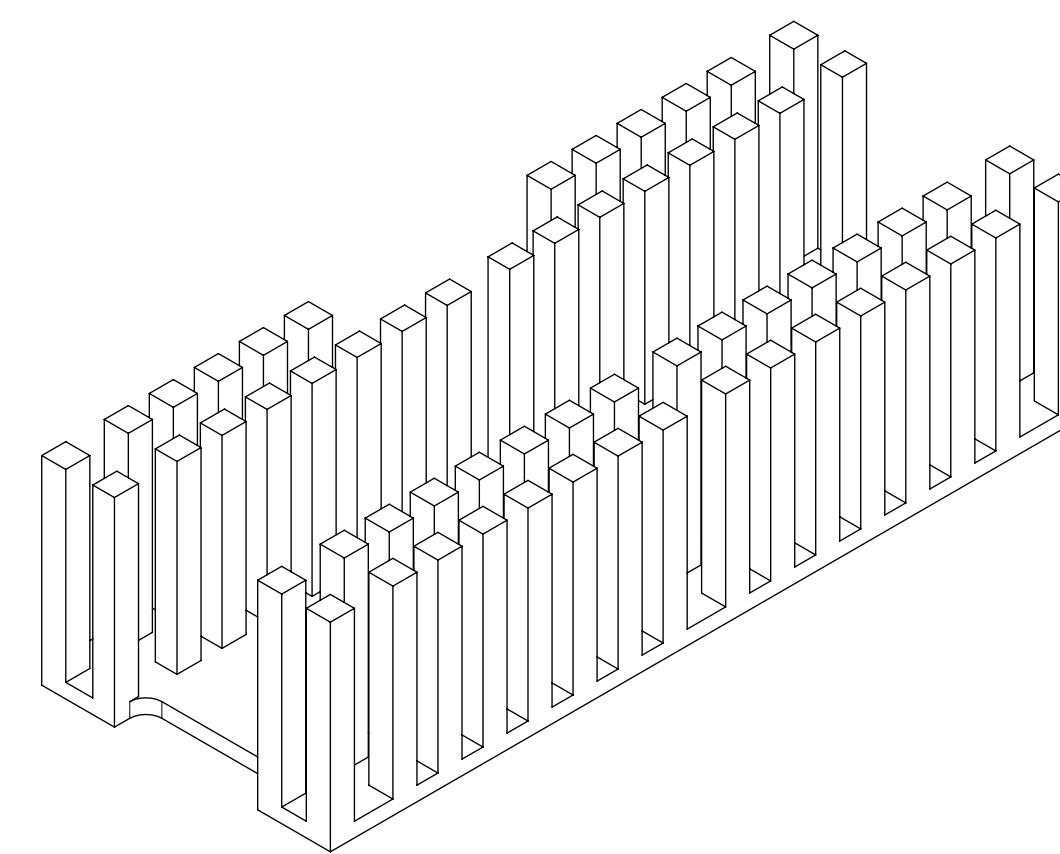
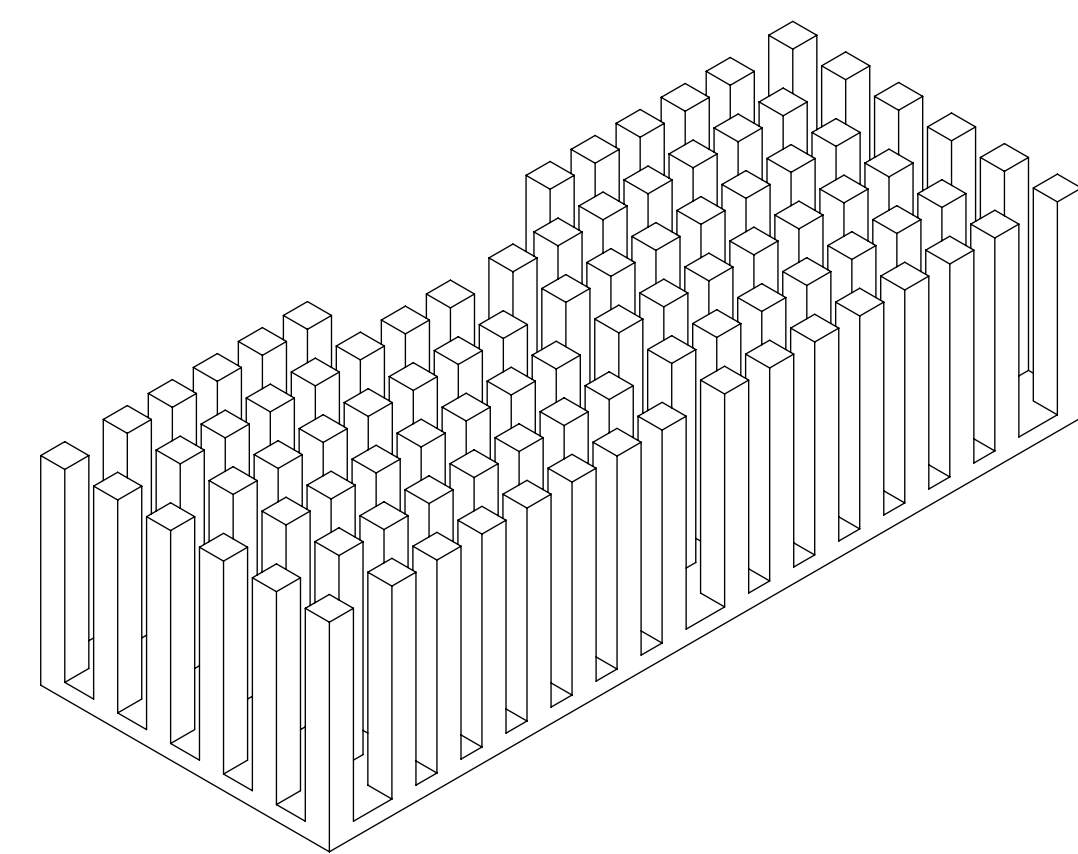
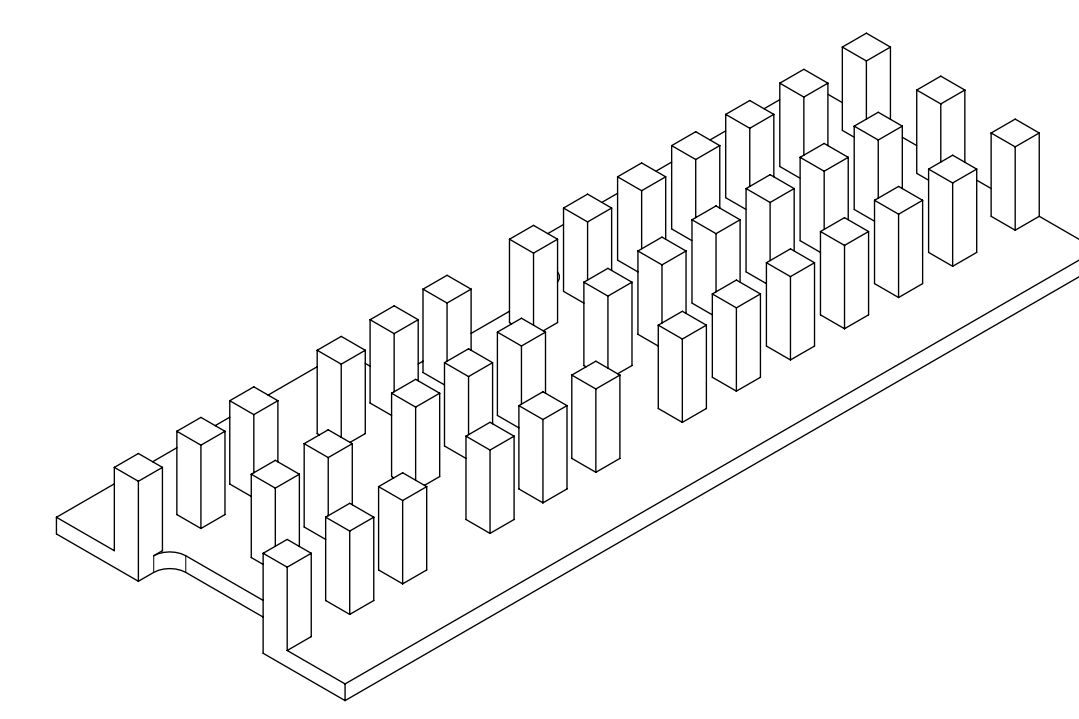
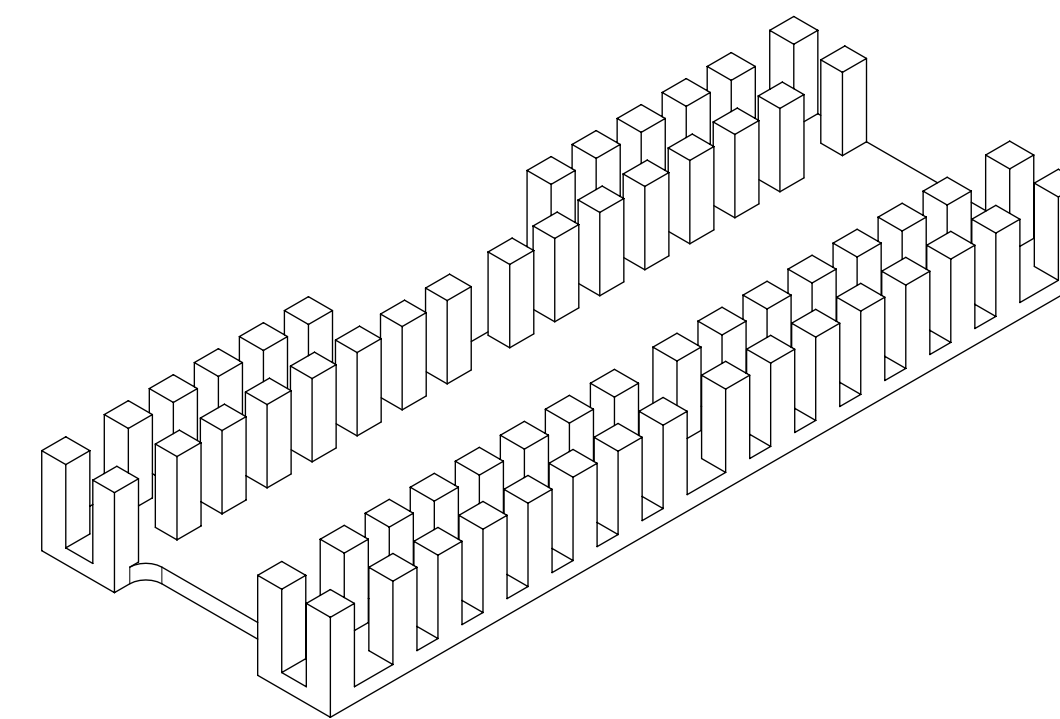
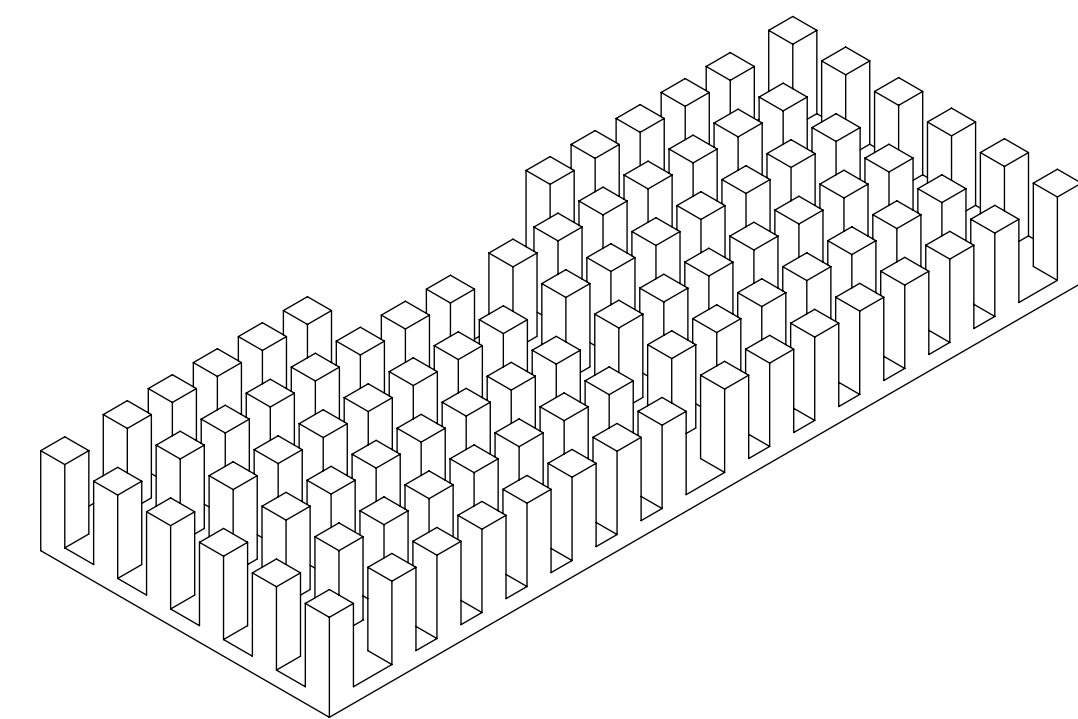
1. QSFP+ ASSEMBLIES ALSO AVAILABLE WITH 1X2 (74767 SERIES), 1X3 (74768 SERIES), 1X4 (74769 SERIES) AND 1X6 (74771 SERIES) CONFIGURATIONS.
2. MATERIAL:  
 LIGHT PIPE/HEATSINK CLIP: STAINLESS STEEL  
 LIGHT PIPES: POLYCARBONATE (UL 94-V-0 RATED)  
 HEAT SINKS: BLACK ANNOXIDIZED ALUMINUM  
 CAGE: STAINLESS STEEL  
 SPRING FINGERS: STAINLESS STEEL
3. NO RoHS EXEMPTIONS
4. CUSTOM HEATSINKS AVAILABLE UPON REQUEST.
5. WELD SPOTS MAY SHOW SLIGHT MATERIAL DISCOLORATION.

FUNCTIONAL SYMBOLS $\nabla_A = 0$ $\nabla_C = 0$ $\nabla_D = 0$	THIS DRAWING CONTAINS INFORMATION THAT IS PROPRIETARY TO MOLEX ELECTRONIC TECHNOLOGIES, LLC AND SHOULD NOT BE USED WITHOUT WRITTEN PERMISSION	SCALE		CURRENT REV DESC: SEE REV TABLE.				
	DIMENSION UNITS	mm	4:1					
	GENERAL TOLERANCES (UNLESS SPECIFIED)							
	ANGULAR TOL $\pm 1.0^\circ$							
DIVISIONAL SYMBOLS	4 PLACES	$\pm$	EC NO: 723392	2022/09/27	PRODUCT CUSTOMER DRAWING DOCUMENT NUMBER: <b>747503021</b> DOC TYPE: PSD    DOC PART: ASY    REVISION: B			
	3 PLACES	$\pm$	DRWN: VISHNM2	2022/10/03				
	2 PLACES	$\pm 0.13$	CHK'D: DKUMARG	2022/10/12				
	1 PLACE	$\pm 0.25$	APPR: SCHIEN					
DRAFT WHERE APPLICABLE MUST REMAIN WITHIN DIMENSIONS			THIRD ANGLE PROJECTION	DRAWING	SERIES	MATERIAL NUMBER	CUSTOMER	SHEET NUMBER
				D-SIZE	74750	SEE P/N TABLE	GENERAL MARKET	1 OF 11

# CAGE ASSEMBLY OPTIONS



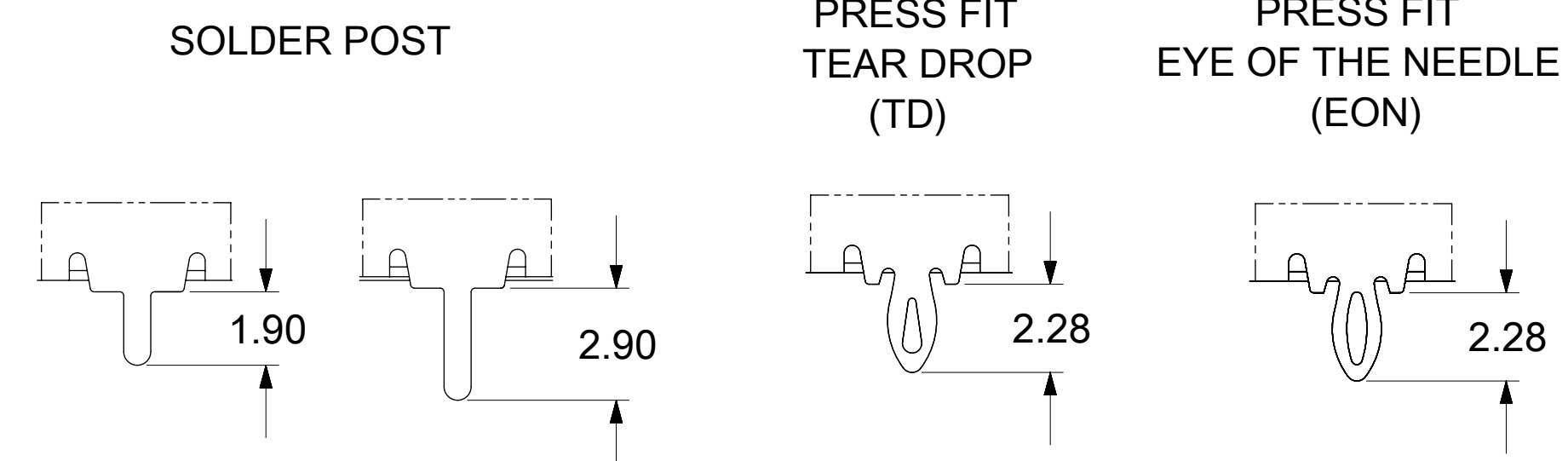
## REAR LEG OPTIONS



## LEG OPTIONS

## HEAT SINK HEIGHT OPTIONS

OVERALL HEAT SINK HEIGHT	DIM C
PCI	13.7
SAN	16.0
NET	23.0



FUNCTIONAL SYMBOLS $F_A = 0$ $F_C = 0$ $F_D = 0$ DIVISIONAL SYMBOLS	THIS DRAWING CONTAINS INFORMATION THAT IS PROPRIETARY TO MOLEX ELECTRONIC TECHNOLOGIES, LLC AND SHOULD NOT BE USED WITHOUT WRITTEN PERMISSION		SCALE: 3:1		CURRENT REV DESC: SEE REV TABLE.	
	DIMENSION UNITS: mm		GENERAL TOLERANCES (UNLESS SPECIFIED)		EC NO: 723392	
	ANGULAR TOL $\pm 1.0^\circ$		4 PLACES $\pm$		DRWN: VISHNM2 2022/09/27	
	3 PLACES $\pm$		2 PLACES $\pm 0.13$		CHK'D: DKUMARG 2022/10/03	
1 PLACE $\pm 0.25$		0 PLACES $\pm$		APPR: SCHIEN 2022/10/12		
DRAFT WHERE APPLICABLE MUST REMAIN WITHIN DIMENSIONS		THIRD ANGLE PROJECTION		INITIAL REVISION:		
DRW: CHETHH2 2022/02/17		APPR: JCHIANG 2022/03/28		DRW: CHETHH2 2022/02/17		
APPR: JCHIANG 2022/03/28		D-DRAWING: D-SIZE		SERIES: 74750		
MATERIAL NUMBER: SEE P/N TABLE		CUSTOMER: GENERAL MARKET		DOCUMENT NUMBER: 747503021		
DOC TYPE: PSD		DOC PART: ASY		REVISION: B		
SHEET NUMBER: 2 OF 11		DRAWING: D-SIZE		SERIES: 74750		

**molex**

QSFP+ 1X1 CAGE ASSEMBLY WITH SUS TAB TYPE SPRING FINGER

PRODUCT CUSTOMER DRAWING

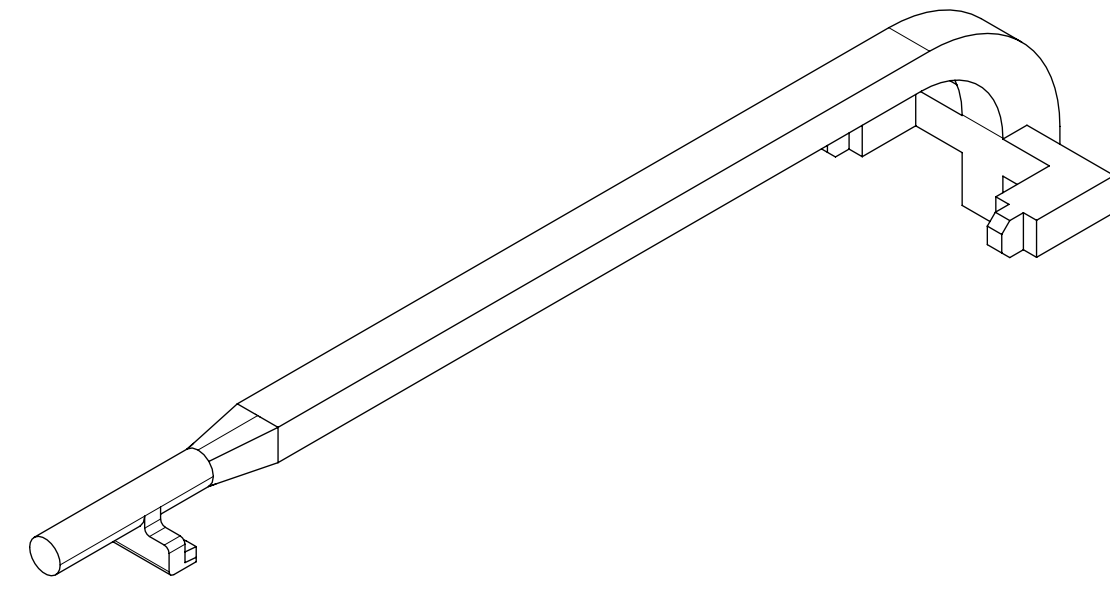
DOCUMENT NUMBER: 747503021

PSD ASY B

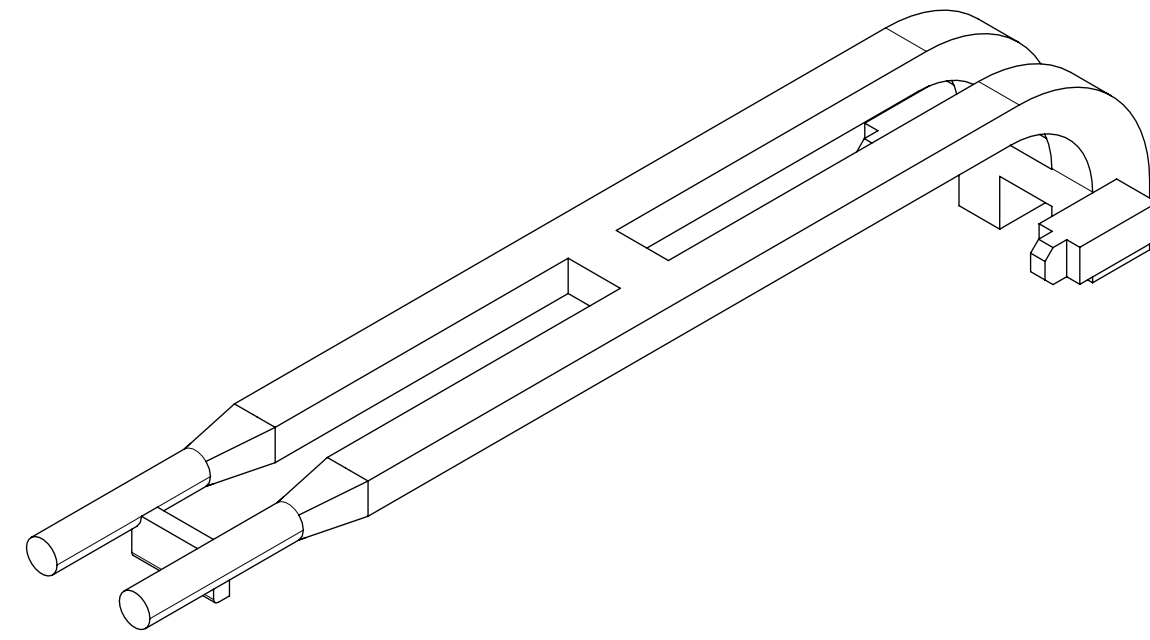
1 HEIGHT OF HEATSINK WITH MODULE INSERTED. DIMENSION MAY BE LESS DUE TO MODULE AND HEATSINK VARIATIONS.

# CAGE ASSEMBLY OPTIONS (CONT.)

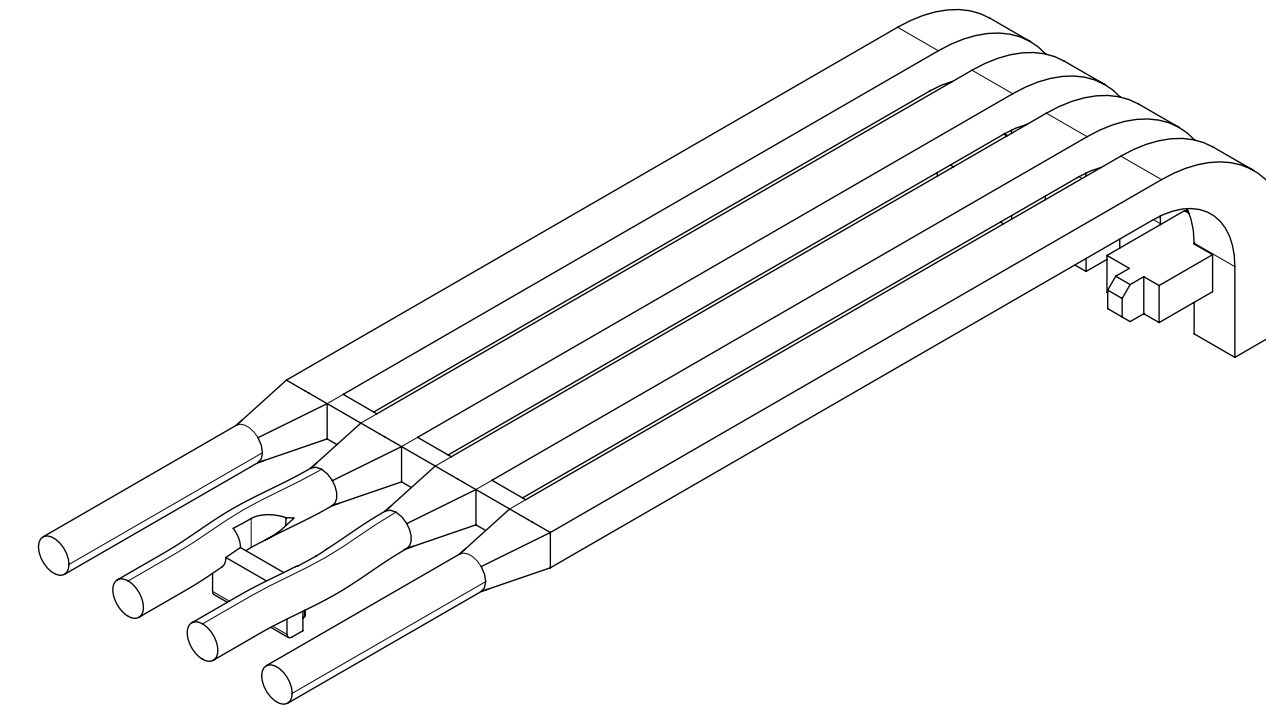
SINGLE LIGHT PIPE



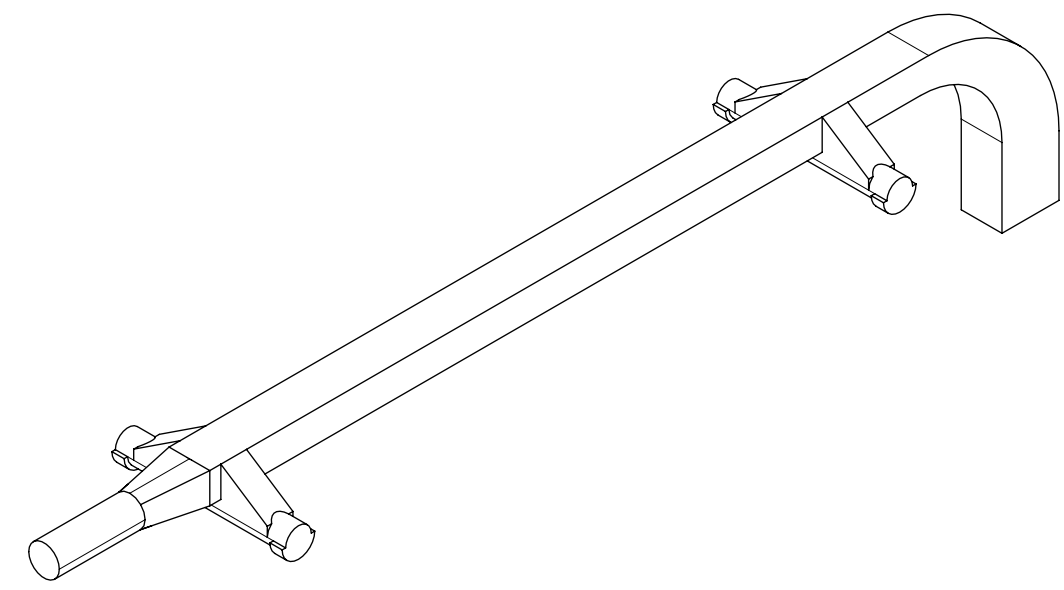
DUAL LIGHT PIPE



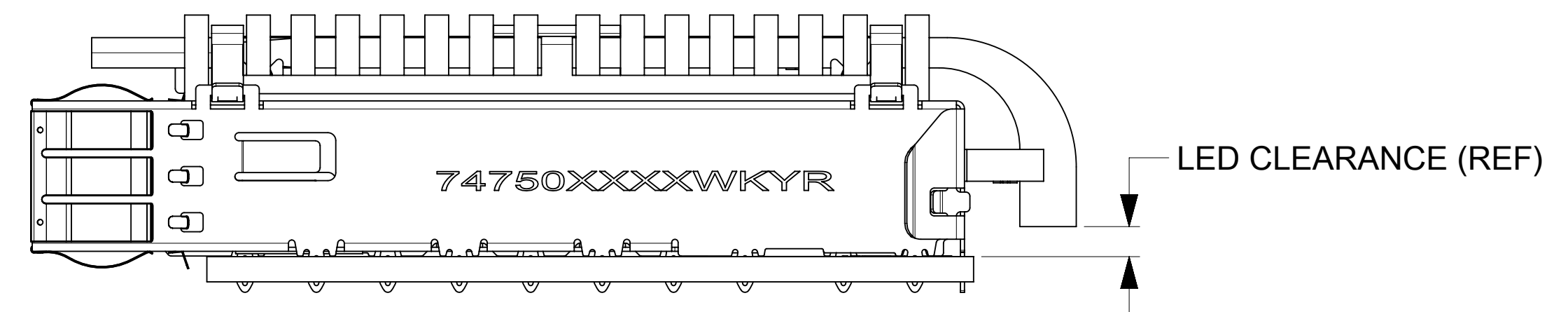
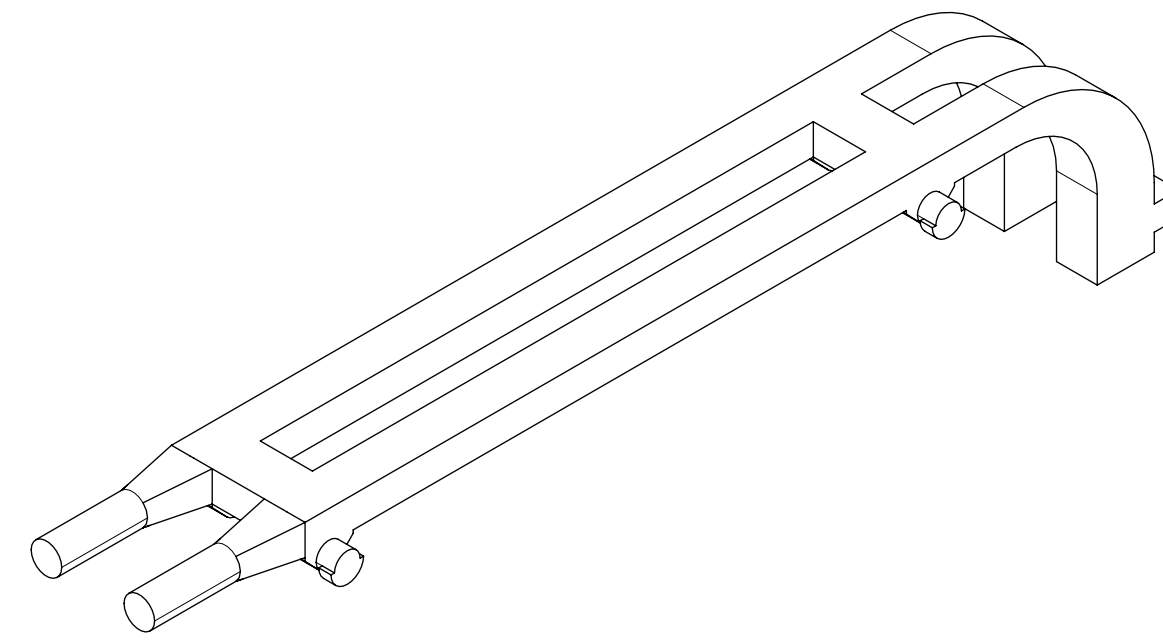
QUAD LIGHT PIPE



SINGLE LIGHT PIPE



DUAL LIGHT PIPE

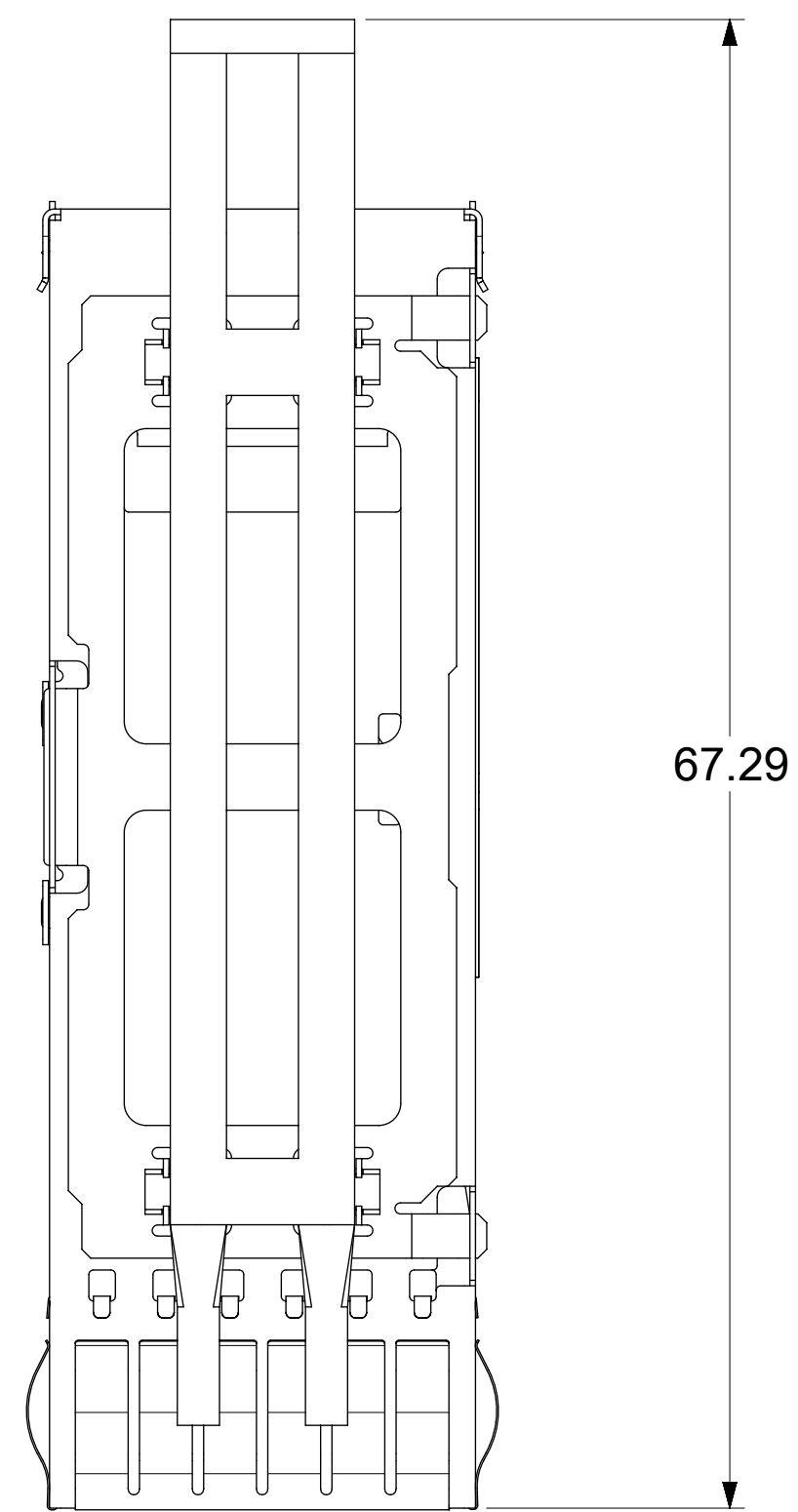
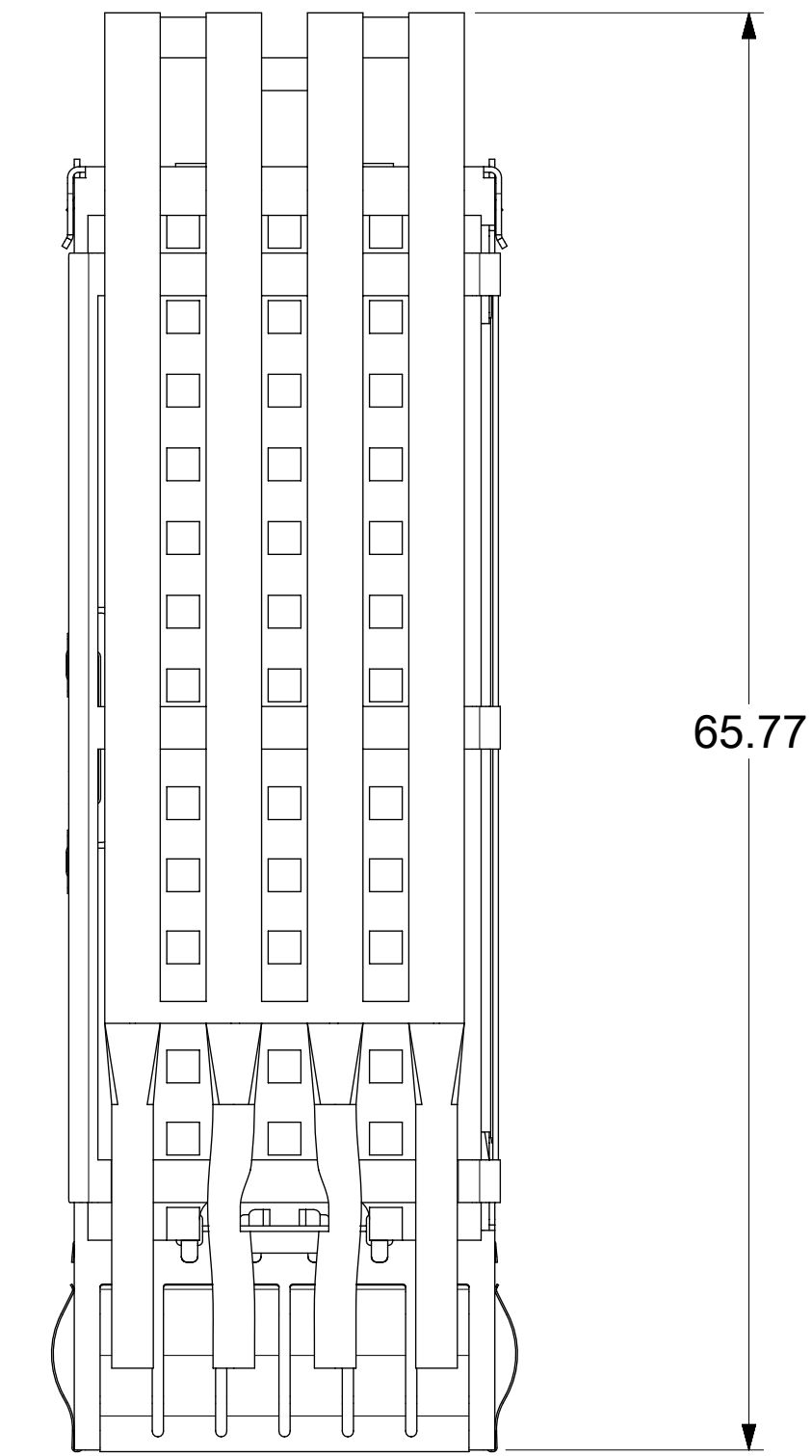
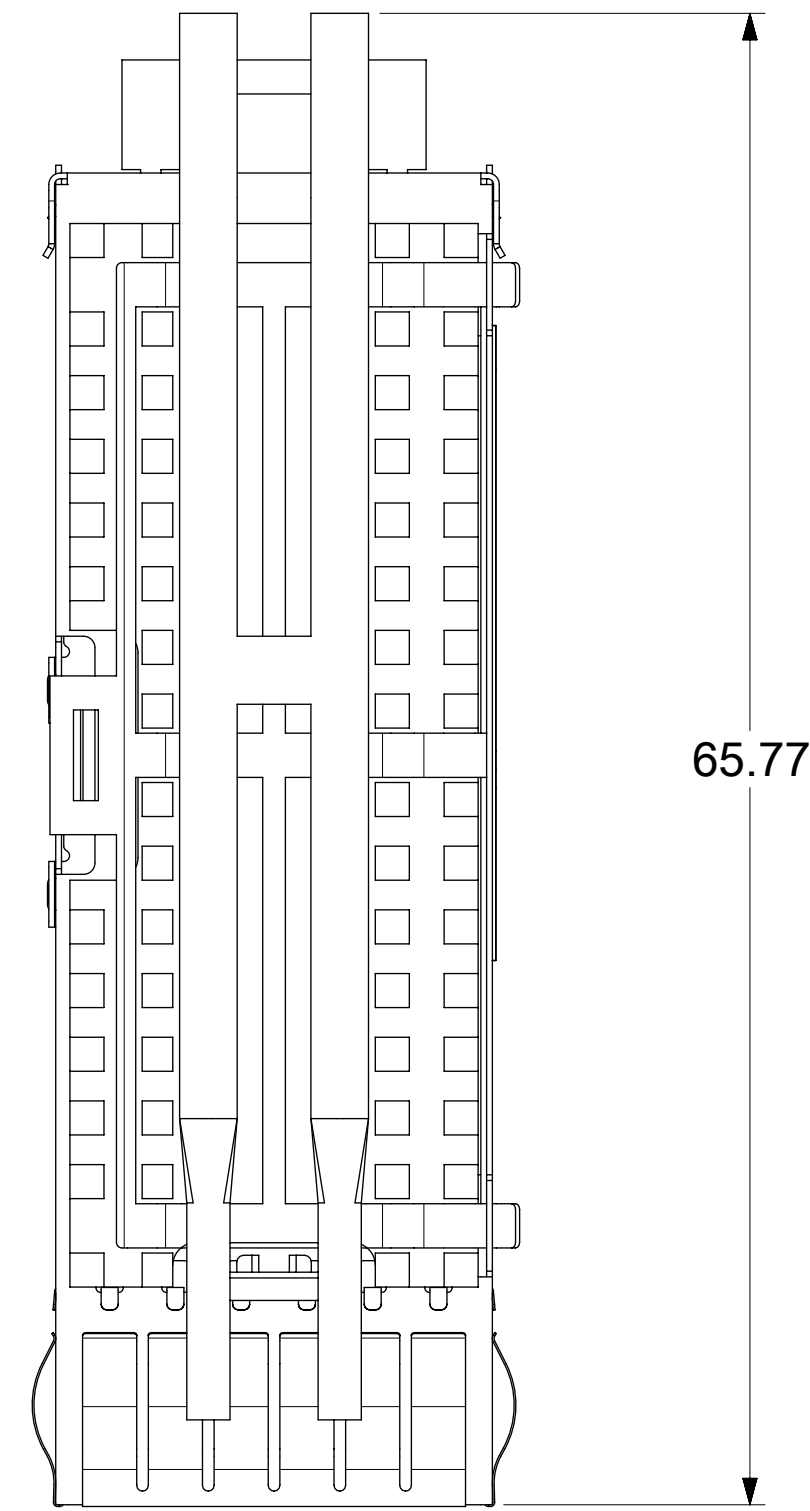
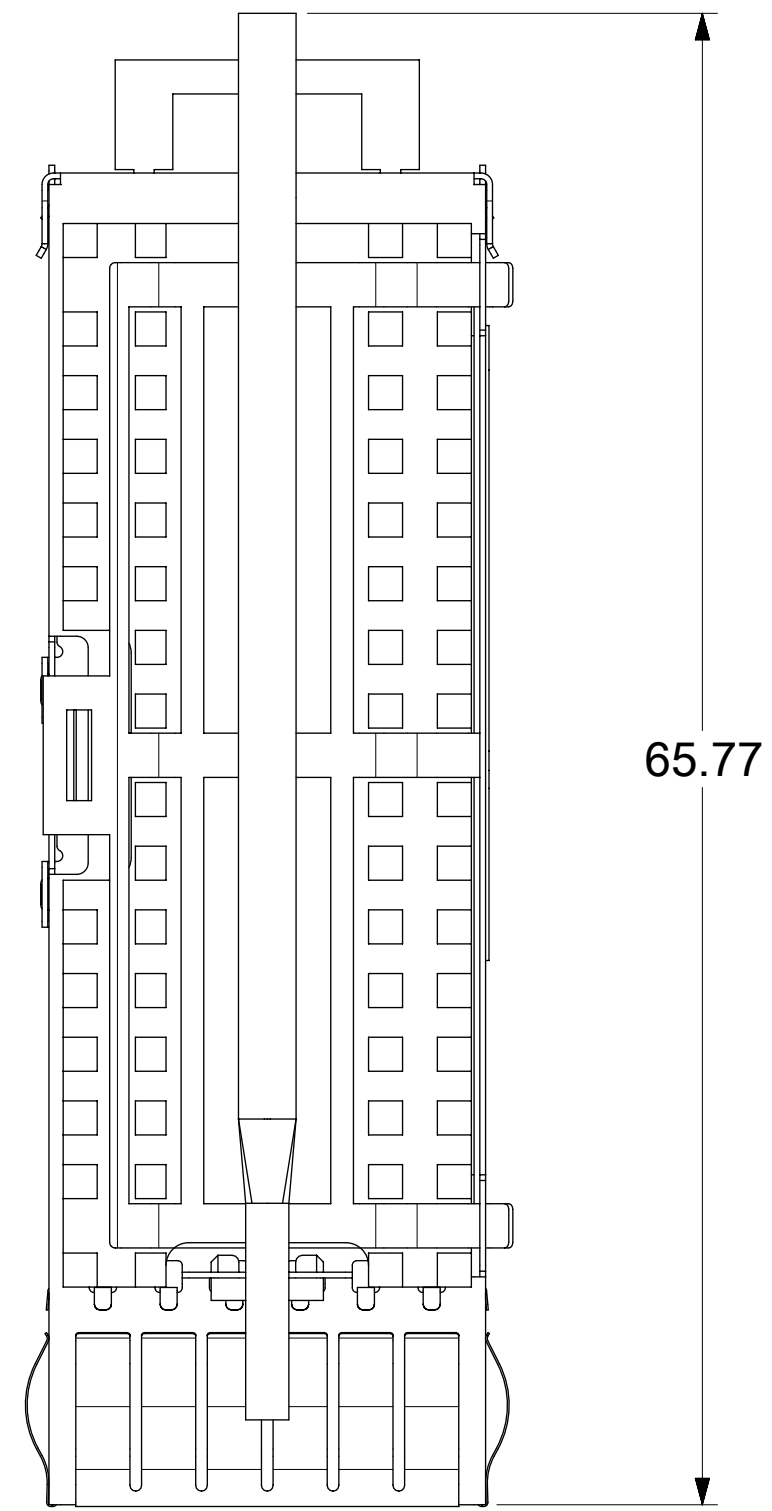


LIGHT PIPE	LED CLEARANCE (REF)
SINGLE	1.86
SINGLE	1.86
DUAL	1.86
DUAL	1.86
QUAD	1.86

<b>FUNCTIONAL SYMBOLS</b> $\nabla_A = 0$ $\nabla_C = 0$ $\nabla_D = 0$	THIS DRAWING CONTAINS INFORMATION THAT IS PROPRIETARY TO MOLEX ELECTRONIC TECHNOLOGIES, LLC AND SHOULD NOT BE USED WITHOUT WRITTEN PERMISSION		CURRENT REV DESC: SEE REV TABLE.					
	DIMENSION UNITS: <b>mm</b>	SCALE: <b>3:1</b>	GENERAL TOLERANCES (UNLESS SPECIFIED)					
	ANGULAR TOL $\pm 1.0^\circ$		EC NO: 723392 DRWN: VISHNM2 2022/09/27 CHK'D: DKUMARG 2022/10/03 APPR: SCHIEN 2022/10/12					
	DIVISIONAL SYMBOLS 4 PLACES $\pm$ 3 PLACES $\pm$ 2 PLACES $\pm 0.13$ 1 PLACE $\pm 0.25$ 0 PLACES $\pm$		INITIAL REVISION: DRWN: CHETHH2 2022/02/17 APPR: JCHIANG 2022/03/28					
DRAFT WHERE APPLICABLE MUST REMAIN WITHIN DIMENSIONS		THIRD ANGLE PROJECTION	DRAWING: <b>D-SIZE</b>	SERIES: <b>74750</b>	DOCUMENT NUMBER: <b>747503021</b>	DOC TYPE: <b>PSD</b>	DOC PART: <b>ASY</b>	REVISION: <b>B</b>
PRODUCT CUSTOMER DRAWING		MATERIAL NUMBER: <b>SEE P/N TABLE</b>		CUSTOMER: <b>GENERAL MARKET</b>		SHEET NUMBER: <b>3 OF 11</b>		

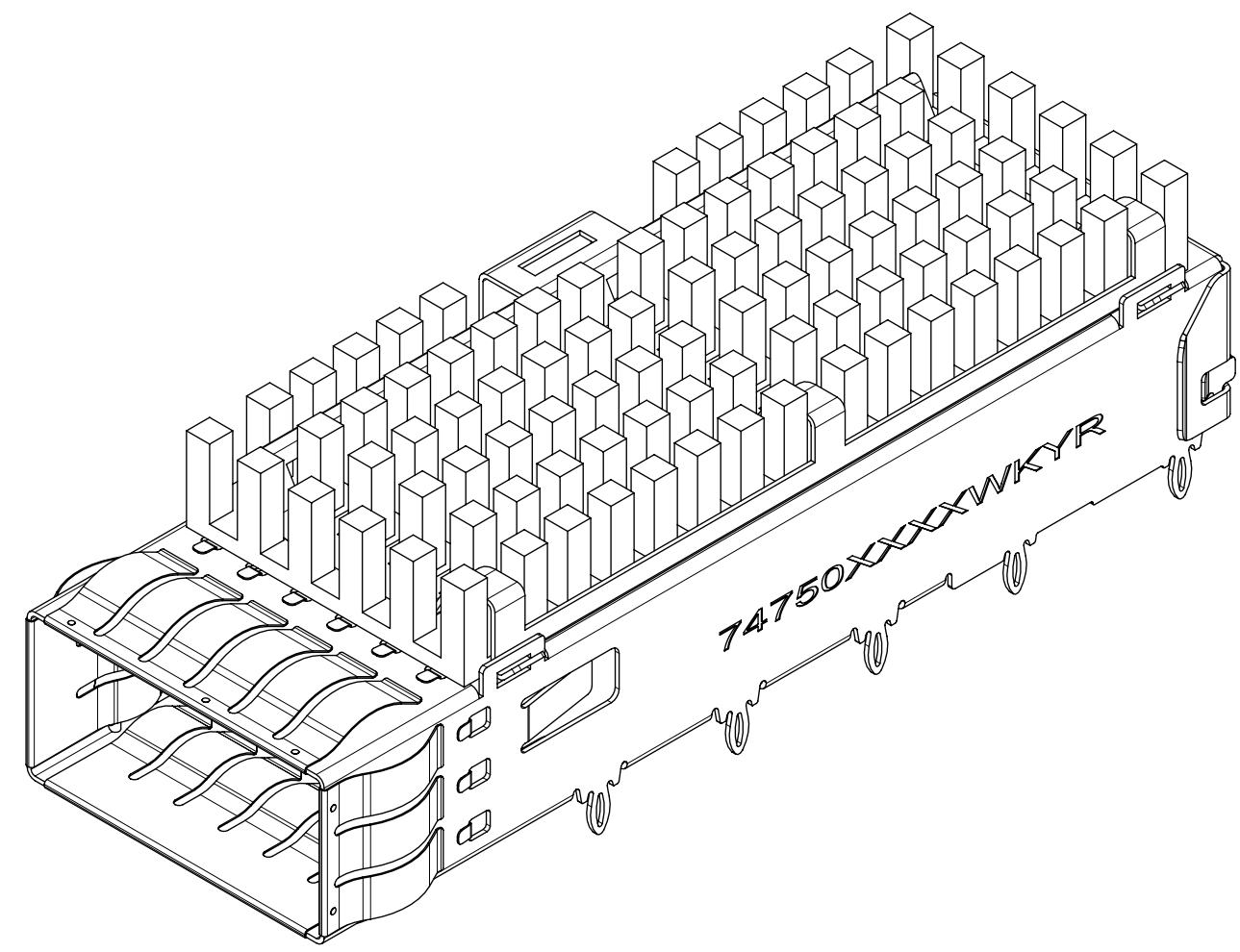
NOTE:  
1) FOR HEATSINK OPTIONS SEE SHEET 2.

# CAGE ASSEMBLY OPTIONS (CONT.)

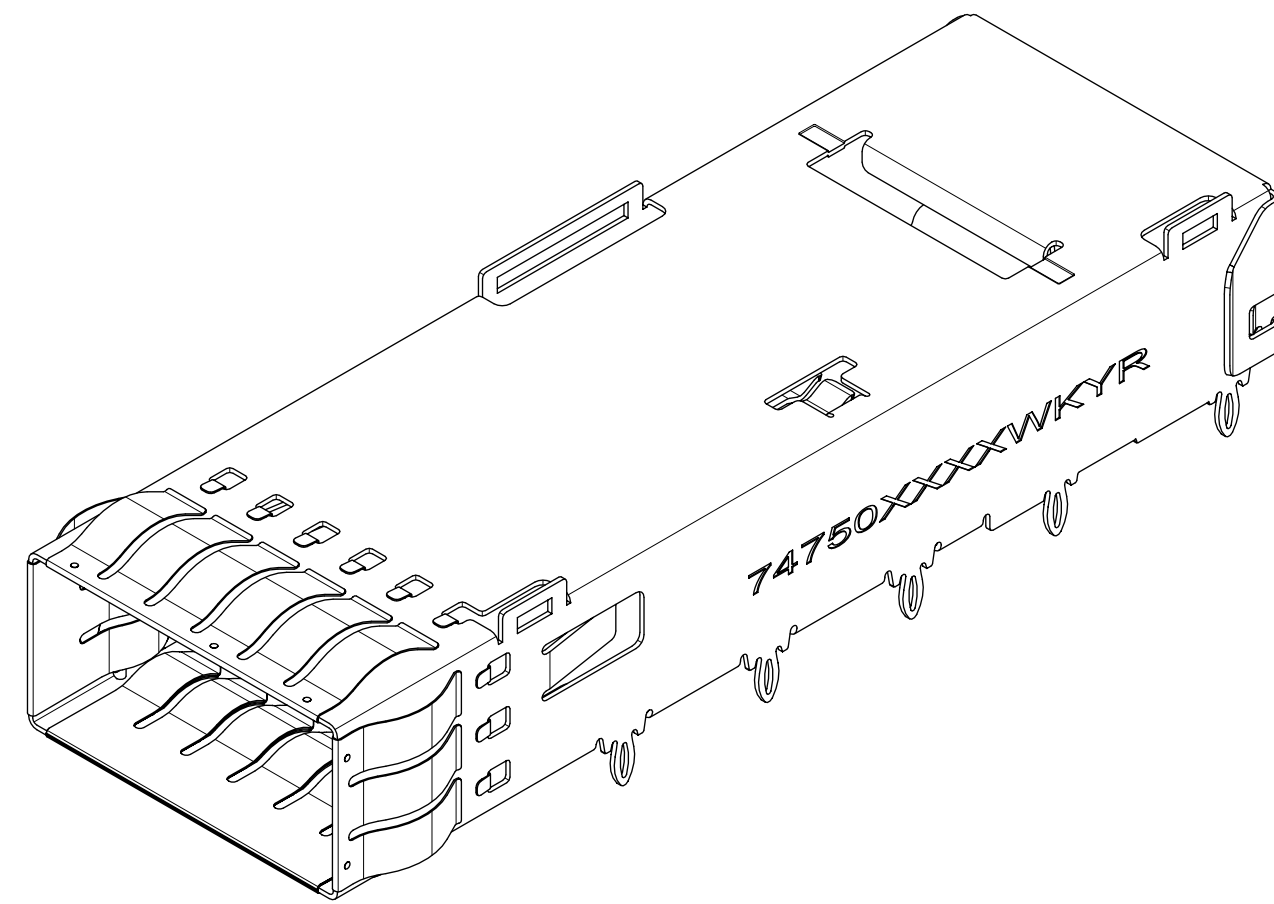


FUNCTIONAL SYMBOLS	THIS DRAWING CONTAINS INFORMATION THAT IS PROPRIETARY TO MOLEX ELECTRONIC TECHNOLOGIES, LLC AND SHOULD NOT BE USED WITHOUT WRITTEN PERMISSION		CURRENT REV DESC: SEE REV TABLE.				
	DIMENSION UNITS	SCALE					
$\nabla_A = 0$	mm	3:1	GENERAL TOLERANCES (UNLESS SPECIFIED)		EC NO: 723392 DRWN: VISHNM2 2022/09/27 CHK'D: DKUMARG 2022/10/03 APPR: SCHIEN 2022/10/12		
$\nabla_C = 0$	ANGULAR TOL $\pm 1.0^\circ$						
$\nabla_D = 0$	4 PLACES $\pm$		INITIAL REVISION:		DRWN: CHETHH2 2022/02/17 APPR: JCHIANG 2022/03/28		
DIVISIONAL SYMBOLS	3 PLACES $\pm$						
	2 PLACES $\pm 0.13$		DOCUMENT NUMBER		DOC TYPE	DOC PART	REVISION
	1 PLACE $\pm 0.25$		747503021		PSD	ASY	B
	0 PLACES $\pm$		MATERIAL NUMBER		CUSTOMER		SHEET NUMBER
DRAFT WHERE APPLICABLE MUST REMAIN WITHIN DIMENSIONS			THIRD ANGLE PROJECTION		DRAWING	SERIES	4 OF 11
					D-SIZE	74750	SEE P/N TABLE
DOCUMENT STATUS			P1		RELEASE DATE		2022/10/12 10:55:32

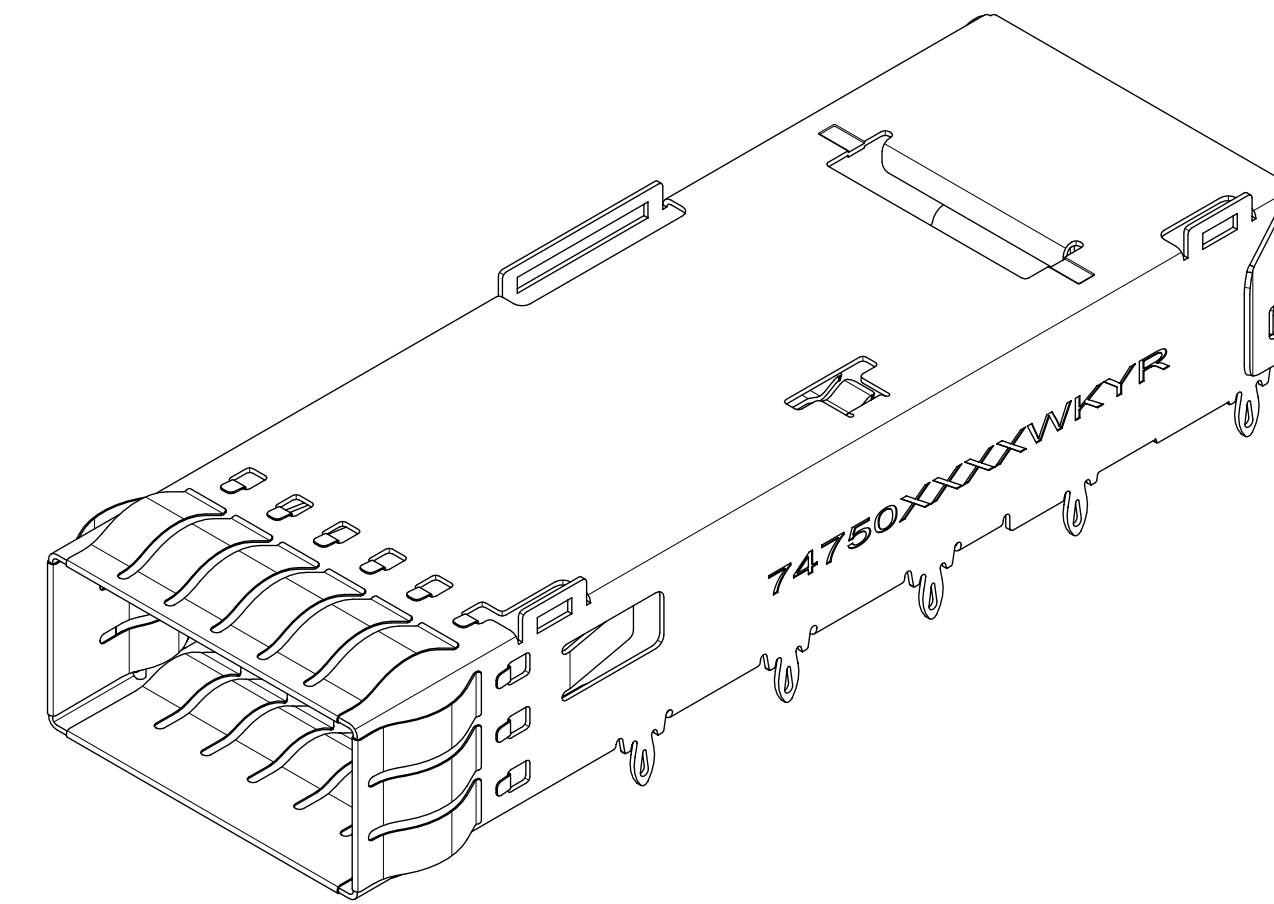
# PART NUMBER SELECTION



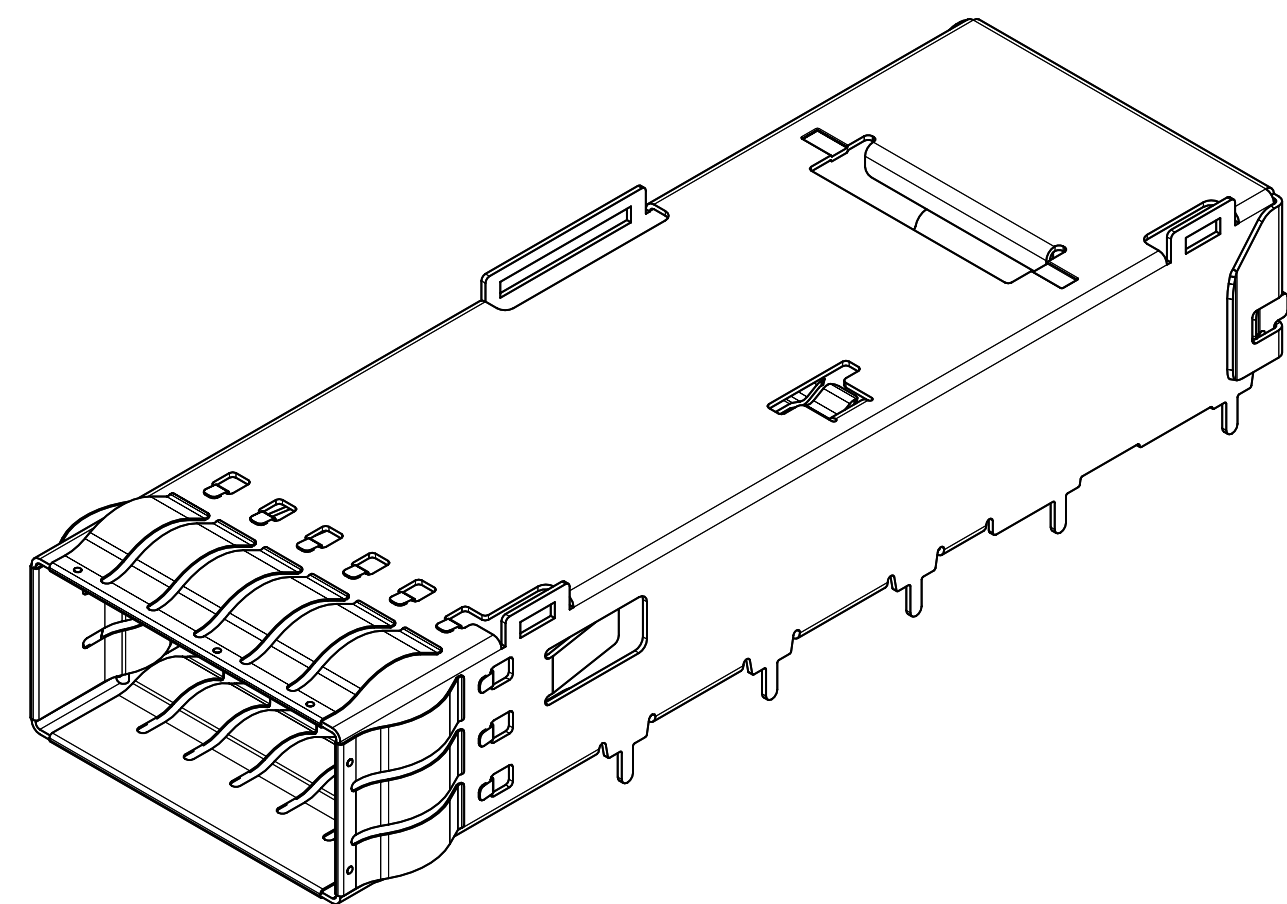
MOLEX P/N	HS	# OF REAR LEGS PER PORT	LEG TYPE	DIM "A"	PLATING
747503040	SAN	2	PRESS FIT-EON	2.28	NICKEL
747503044	PCI	2	PRESS FIT-EON	2.28	NICKEL
747503046	NET	2	PRESS FIT-EON	2.28	NICKEL



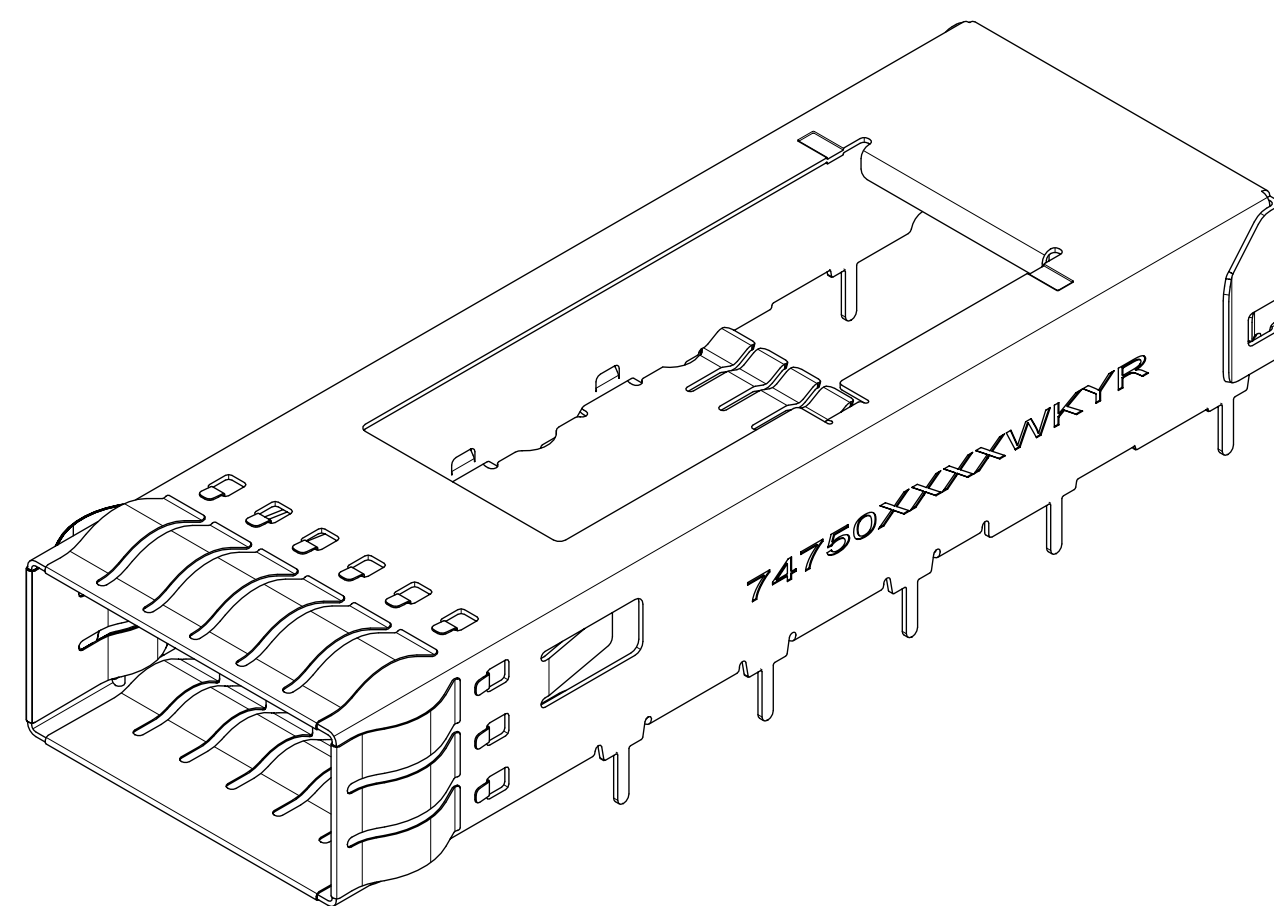
MOLEX P/N	# OF REAR LEGS PER PORT	LEG TYPE	DIM "A"	PLATING
747503024	2	PRESS FIT-EON	2.28	NICKEL



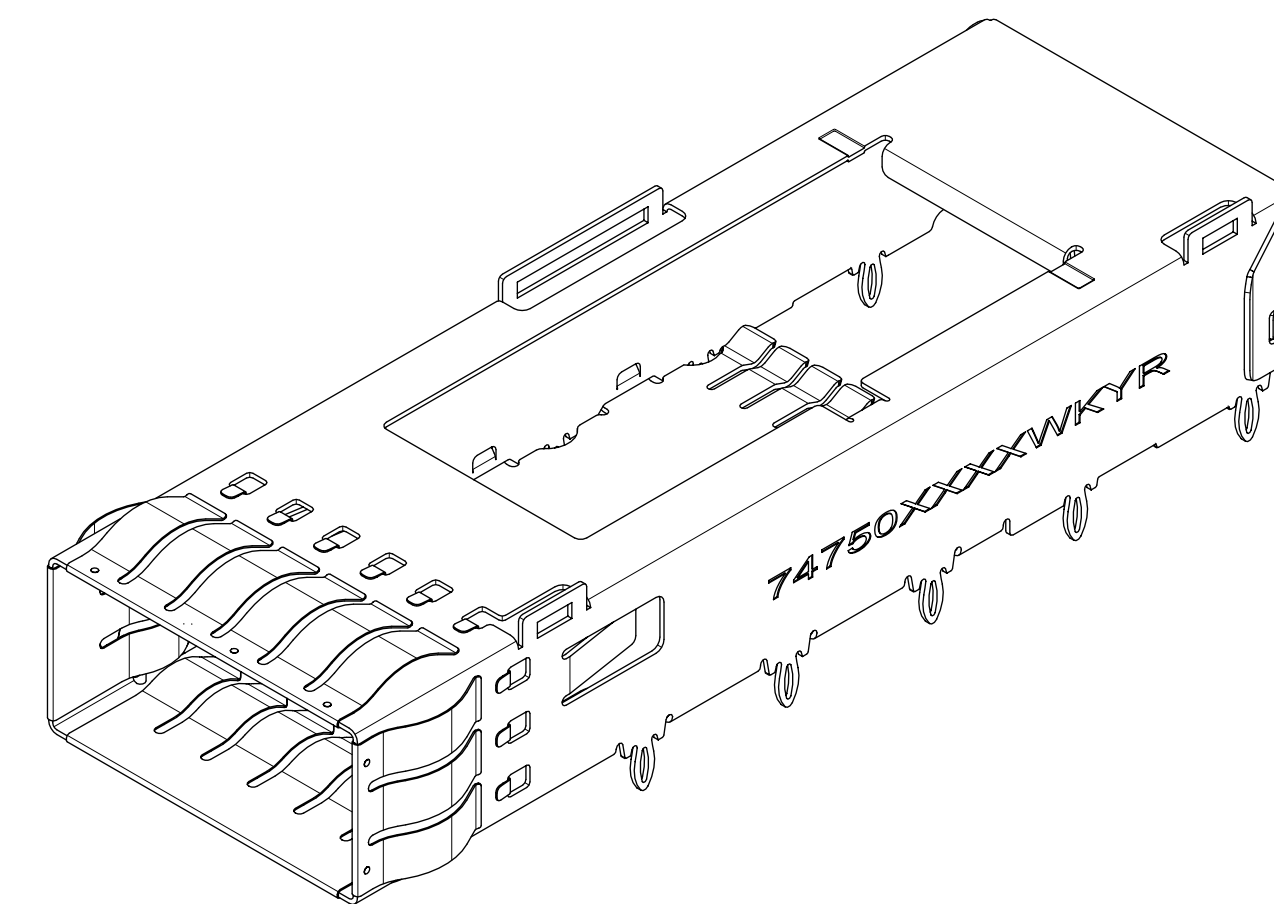
MOLEX P/N	# OF REAR LEGS PER PORT	LEG TYPE	DIM "A"	PLATING
747503102	2	PRESS FIT-TD	2.28	NICKEL



MOLEX P/N	# OF REAR LEGS PER PORT	LEG TYPE	DIM "A"	PLATING
747503051	2	SOLDER POST	1.90	NICKEL



MOLEX P/N	# OF REAR LEGS PER PORT	LEG TYPE	DIM "A"	PLATING
747503062	2	SOLDER POST	2.90	NICKEL

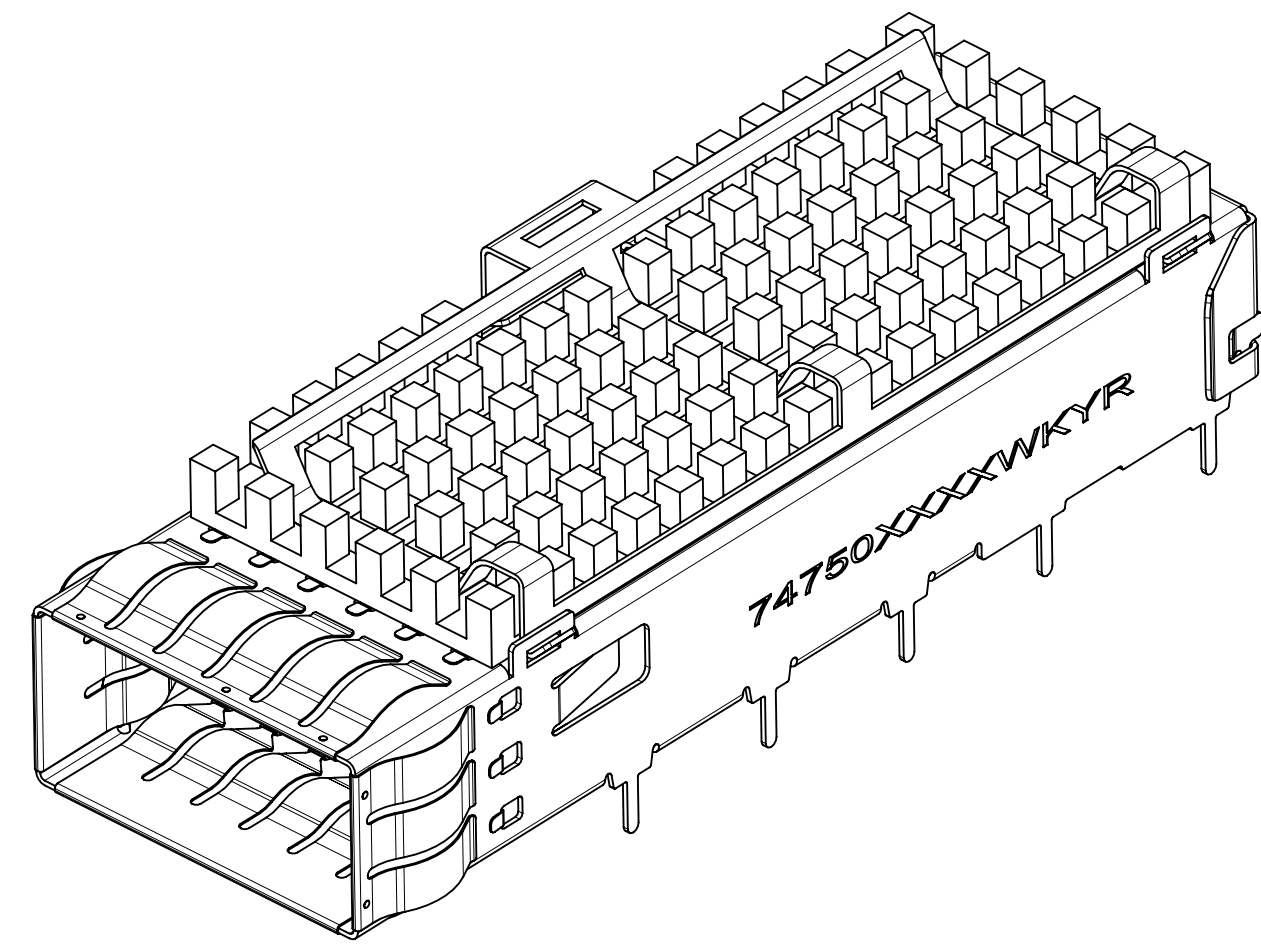


MOLEX P/N	# OF REAR LEGS PER PORT	LEG TYPE	DIM "A"	PLATING
747503021	2	PRESS FIT-EON	2.28	NICKEL
747503023	0	PRESS FIT-EON	2.28	NICKEL

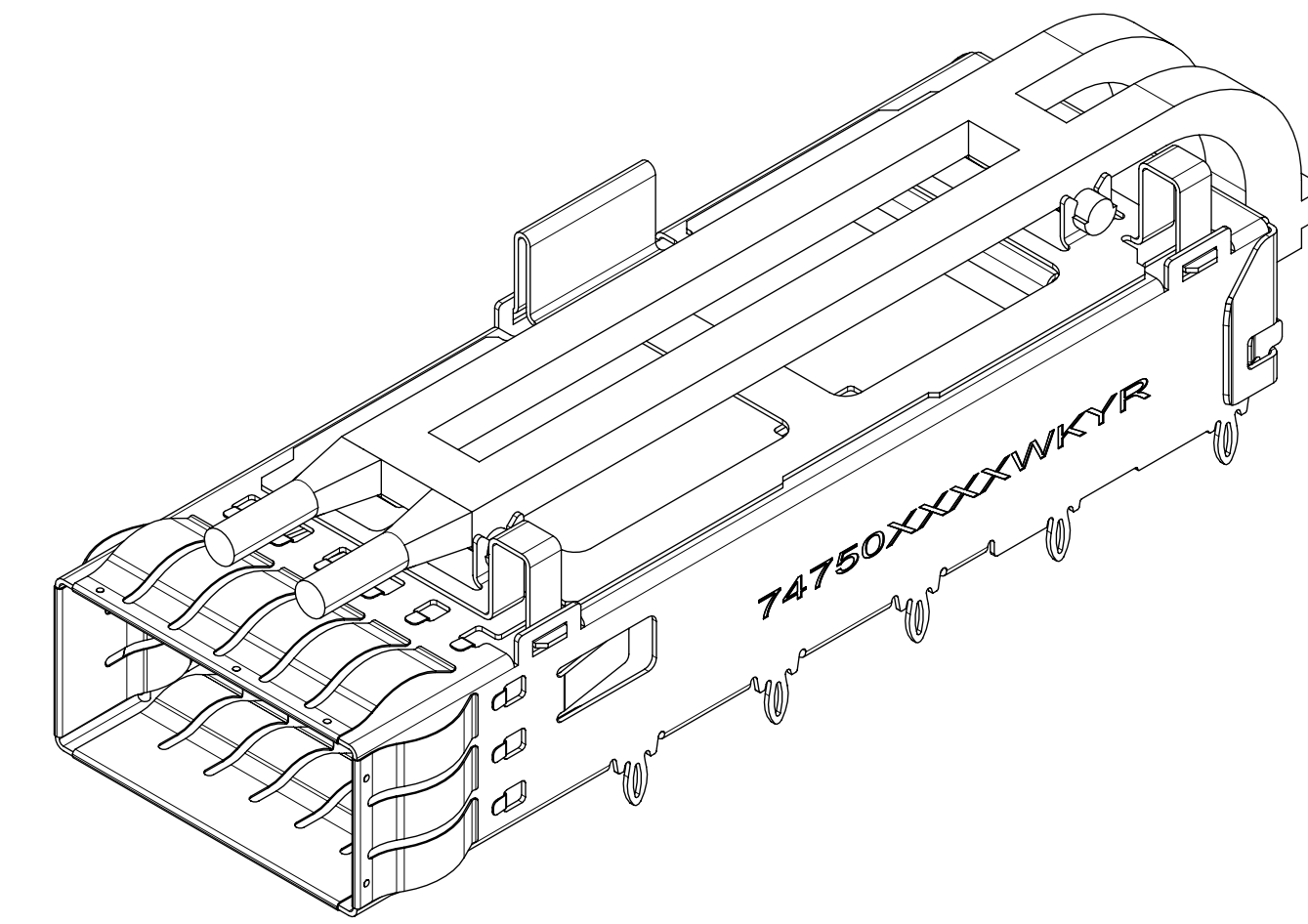
FUNCTIONAL SYMBOLS FA = 0 FC = 0 FD = 0	THIS DRAWING CONTAINS INFORMATION THAT IS PROPRIETARY TO MOLEX ELECTRONIC TECHNOLOGIES, LLC AND SHOULD NOT BE USED WITHOUT WRITTEN PERMISSION		CURRENT REV DESC: SEE REV TABLE.		<b>molex</b>
	DIMENSION UNITS	SCALE			
	mm	3:1			QSFP+ 1X1 CAGE ASSEMBLY WITH SUS TAB TYPE SPRING FINGER
GENERAL TOLERANCES (UNLESS SPECIFIED)					
ANGULAR TOL ± 1.0°				PRODUCT CUSTOMER DRAWING	
4 PLACES ±					
3 PLACES ±				DOCUMENT NUMBER <b>747503021</b> DOC TYPE DOC PART REVISION PSD ASY B	
2 PLACES ± 0.13					
1 PLACE ± 0.25				MATERIAL NUMBER CUSTOMER <b>SEE P/N TABLE</b> GENERAL MARKET	
0 PLACES ±					
DRAFT WHERE APPLICABLE MUST REMAIN WITHIN DIMENSIONS		THIRD ANGLE PROJECTION	DRAWING	SERIES	SHEET NUMBER
		⊕	D-SIZE	74750	5 OF 11



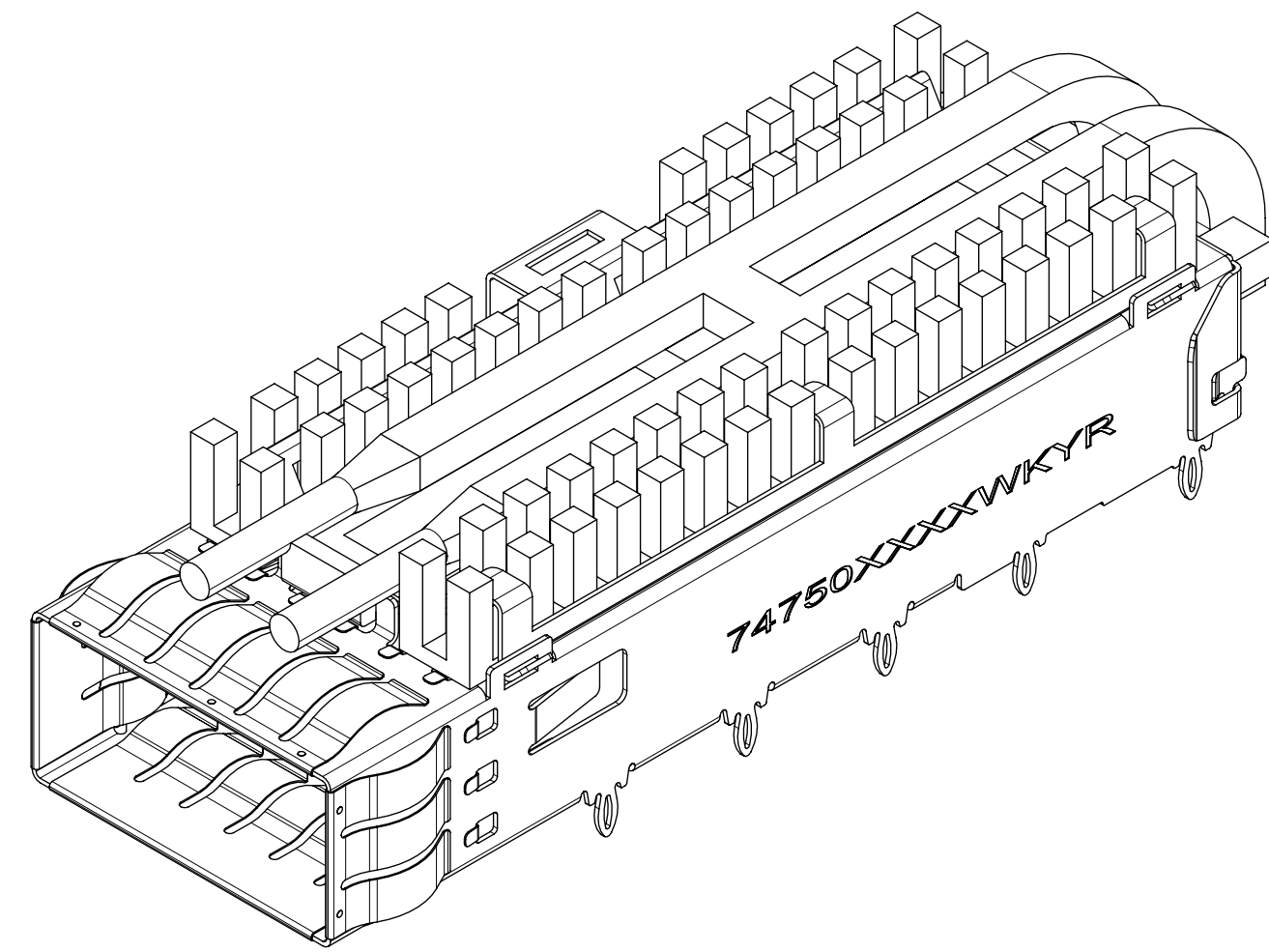
# PART NUMBER SELECTION (CONT)



MOLEX P/N	HS	# OF REAR LEGS PER PORT	LEG TYPE	DIM "A"	PLATING
747503057	PCI	2	SOLDER POST	2.90	NICKEL



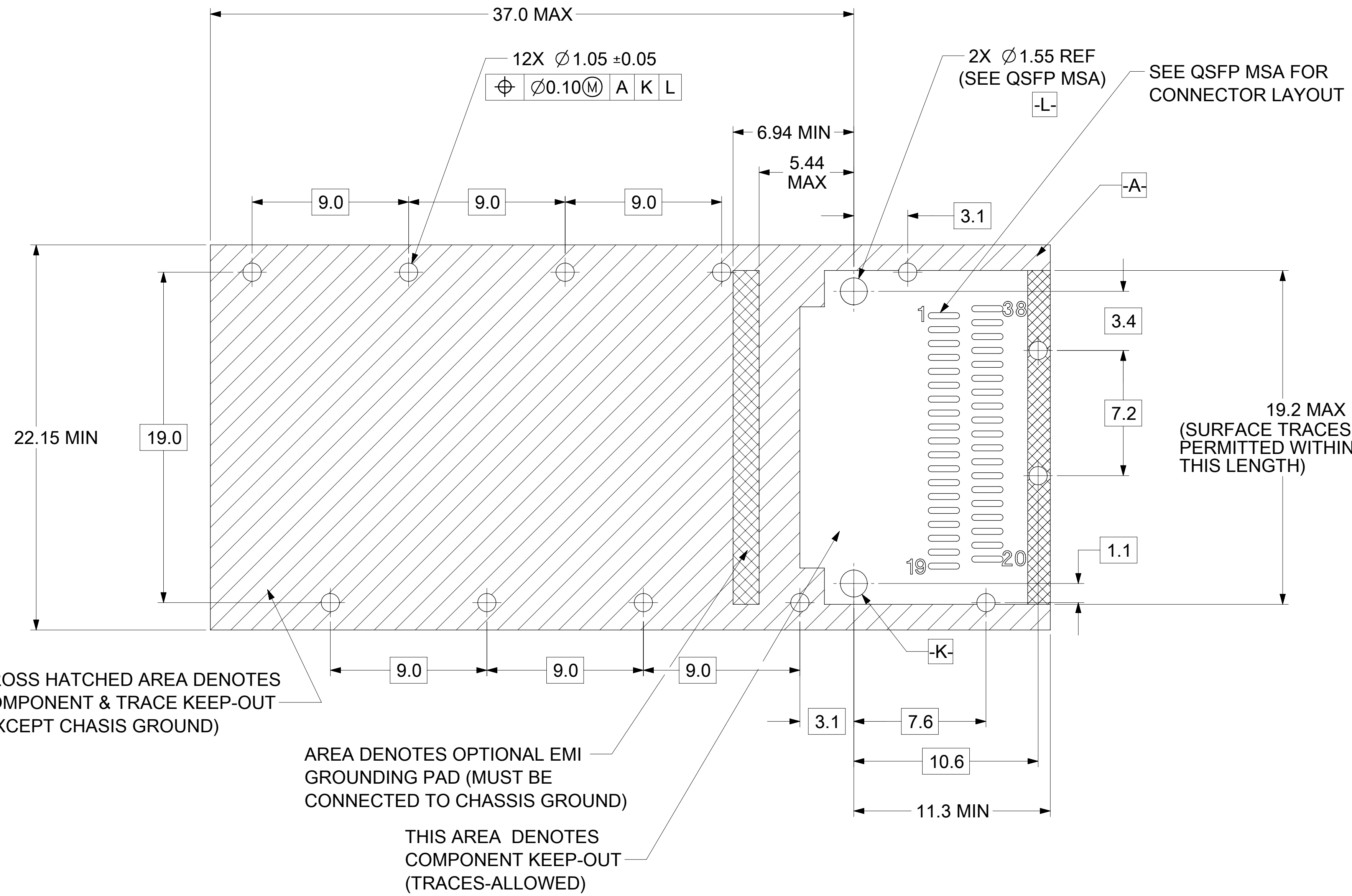
MOLEX P/N	MOLEX CAGE W/O HS ASSEMBLY P/N	LIGHT PIPE ASSEMBLY P/N	TIP STYLE	# OF REAR LEGS PER PORT	LEG TYPE	DIM "A"	DIM "B"	PLATING
747503586	747503024	747500031	ROUND	2	PRESS FIT-EON	2.28	60.25	NICKEL



MOLEX P/N	MOLEX CAGE W/O HS ASSEMBLY P/N	LP SINGLE(747500403) DUAL(747500404)	TIP STYLE	HS	# OF REAR LEGS PER PORT	LEG TYPE	DIM "A"	DIM "B"	PLATING
747503082	747500092	DUAL	ROUND	SAN	2	PRESS FIT-EON	2.28	60.25	NICKEL
747503083	747500092	DUAL	ROUND	NET	2	PRESS FIT-EON	2.28	60.25	NICKEL
747503088	N/A	DUAL	ROUND	NET	2	PRESS FIT-TD	2.28	60.25	NICKEL

FUNCTIONAL SYMBOLS $F_A = 0$ $F_C = 0$ $F_D = 0$ DIVISIONAL SYMBOLS	THIS DRAWING CONTAINS INFORMATION THAT IS PROPRIETARY TO MOLEX ELECTRONIC TECHNOLOGIES, LLC AND SHOULD NOT BE USED WITHOUT WRITTEN PERMISSION		CURRENT REV DESC: SEE REV TABLE.		<p>QSFP+ 1X1 CAGE ASSEMBLY WITH SUS TAB TYPE SPRING FINGER</p> <p>PRODUCT CUSTOMER DRAWING</p>		
	DIMENSION UNITS: mm SCALE: 3:1	GENERAL TOLERANCES (UNLESS SPECIFIED)		EC NO: 723392 DRWN: VISHNM2 CHK'D: DKUMARG APPR: SCHIEN		2022/09/27 2022/10/03 2022/10/12	
	ANGULAR TOL $\pm 1.0^\circ$ 4 PLACES $\pm$ 3 PLACES $\pm$ 2 PLACES $\pm 0.13$ 1 PLACE $\pm 0.25$ 0 PLACES $\pm$	INITIAL REVISION:		DRWN: CHETHH2 APPR: JCHIANG		2022/02/17 2022/03/28	
	DRAFT WHERE APPLICABLE MUST REMAIN WITHIN DIMENSIONS		THIRD ANGLE PROJECTION	DRAWING		SERIES	MATERIAL NUMBER
			D-SIZE	74750	SEE P/N TABLE	GENERAL MARKET	6 OF 11

# PCB LAYOUT FOR SINGLE SIDED MOUNTING



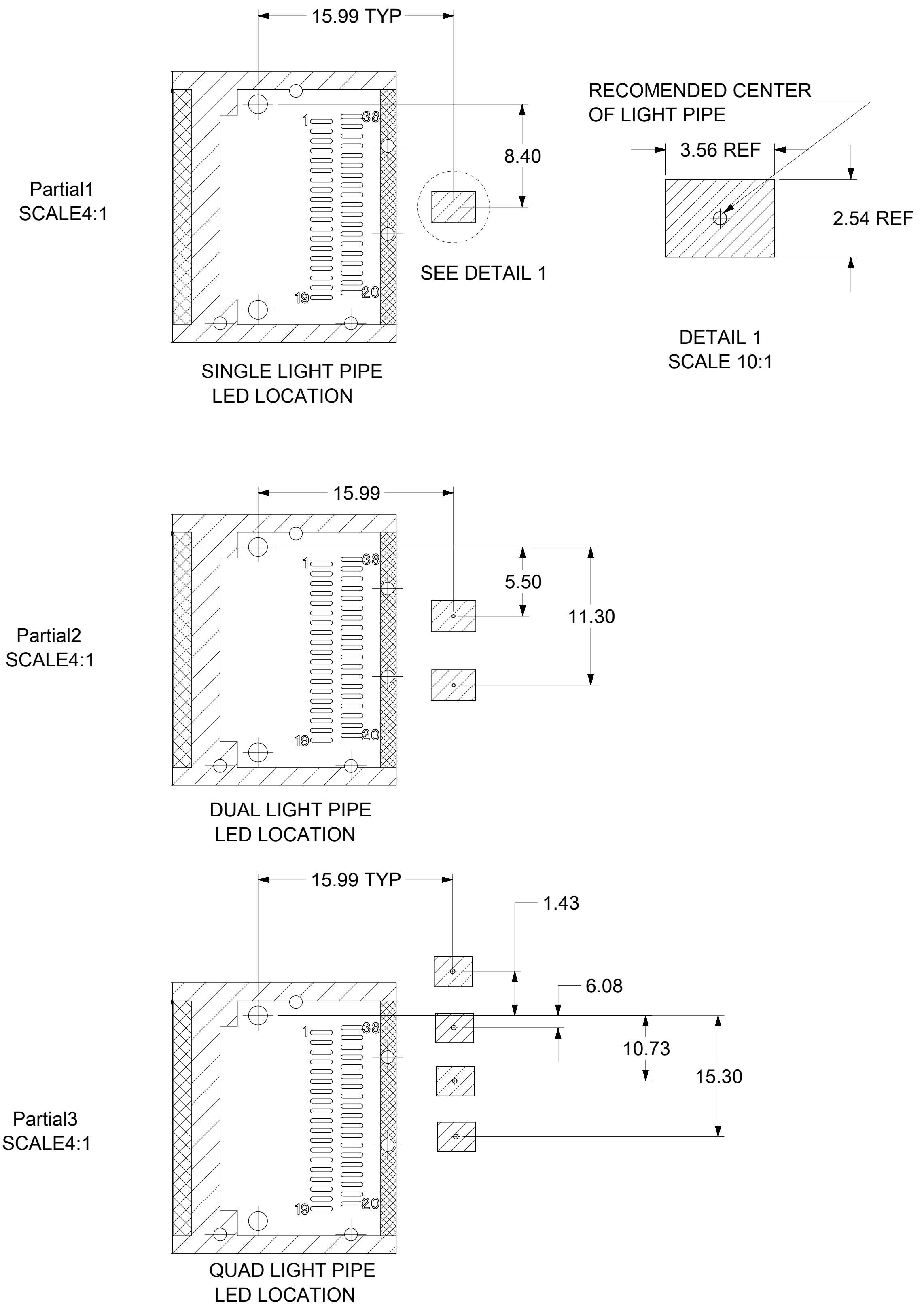
CROSS HATCHED AREA DENOTES COMPONENT & TRACE KEEP-OUT (EXCEPT CHASSIS GROUND)

AREA DENOTES OPTIONAL EMI GROUNDING PAD (MUST BE CONNECTED TO CHASSIS GROUND)

THIS AREA DENOTES COMPONENT KEEP-OUT (TRACES-ALLOWED)

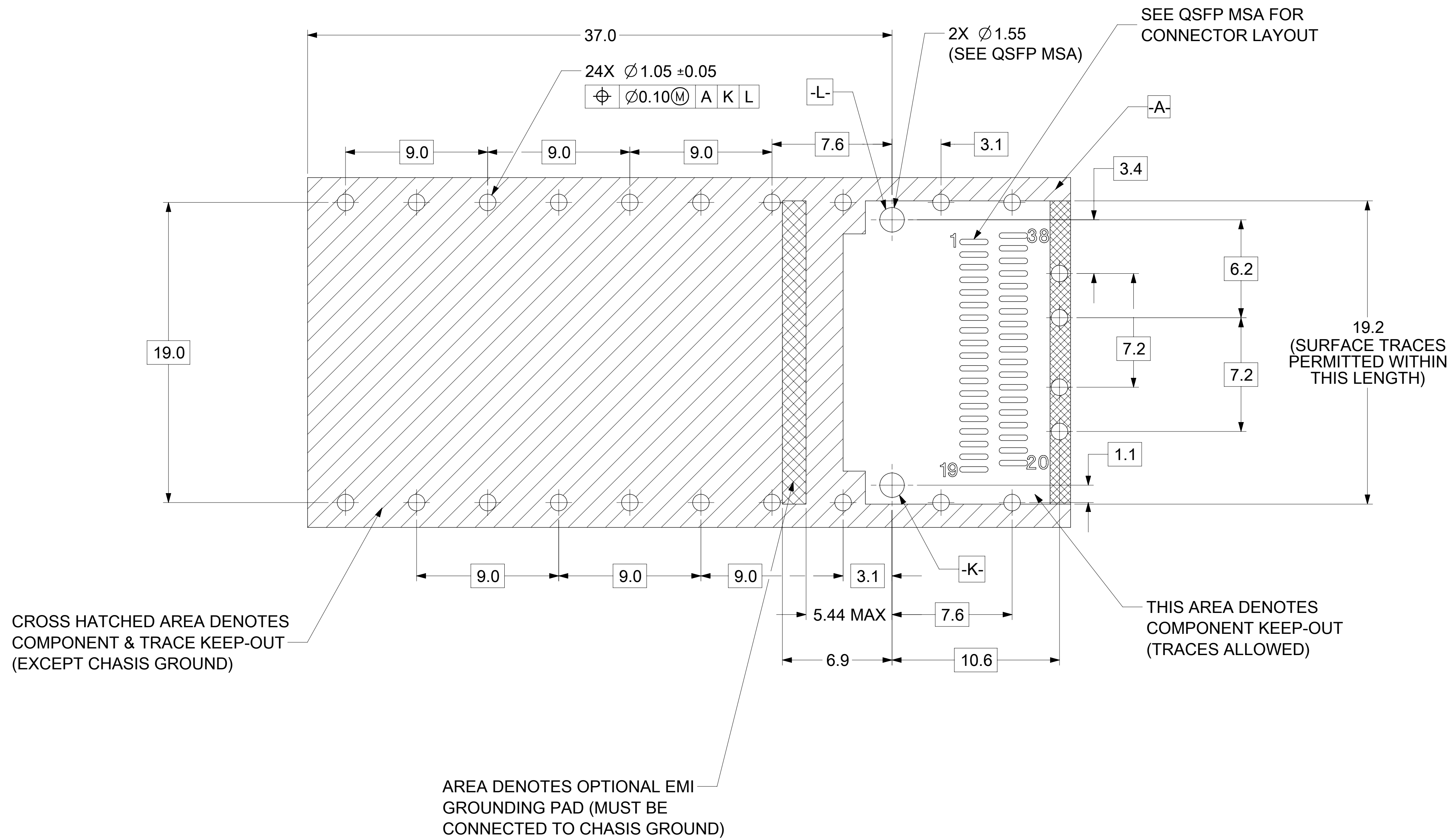
- NOTES:
- DATUM -A- IS TOP SURFACE OF HOST BOARD PER MSA
  - FINISHED HOLE SIZE (AFTER PLATING)
  - DATUM -K- IS HOST BOARD THRU HOLE #1 TO ACCEPT CONNECTOR GUIDE POST PER MSA
  - DATUM -L- IS HOST BOARD THRU HOLE #2 TO ACCEPT CONNECTOR GUIDE POST PER MSA
  - SINGLE SIDED BOARD THICKNESS  
MINIMUM: 1.57 [0.061"] FOR 3.05MM & 2.90MM LEGS.  
MINIMUM: 1.44 [0.057"] FOR 2.28MM & 1.90MM LEGS.
  - LED SHOULD BE PLACED RELATIVE TO THE QSFP CONNECTOR POST HOLES.

# HOST CONNECTOR DETAIL



FUNCTIONAL SYMBOLS	THIS DRAWING CONTAINS INFORMATION THAT IS PROPRIETARY TO MOLEX ELECTRONIC TECHNOLOGIES, LLC AND SHOULD NOT BE USED WITHOUT WRITTEN PERMISSION										
FA = 0	DIMENSION UNITS	SCALE	CURRENT REV DESC: SEE REV TABLE.								
FC = 0	mm	6:1									
FD = 0	GENERAL TOLERANCES (UNLESS SPECIFIED)									EC NO: 723392 DRWN: VISHNM2 2022/09/27	
	ANGULAR TOL ± 1.0°									2022/10/03 CHK'D: DKUMARG APPR: SCHIEN 2022/10/12	
	4 PLACES ±									INITIAL REVISION: DRWN: CHETHH2 2022/02/17 APPR: JCHIANG 2022/03/28	
	3 PLACES ±									DOCUMENT NUMBER <b>747503021</b>	
	2 PLACES ± 0.13									DOC TYPE DOC PART REVISION PSD ASY B	
	1 PLACE ± 0.25									MATERIAL NUMBER CUSTOMER SEE P/N TABLE GENERAL MARKET	
	0 PLACES ±									SHEET NUMBER 7 OF 11	
	DRAFT WHERE APPLICABLE MUST REMAIN WITHIN DIMENSIONS		THIRD ANGLE PROJECTION		DRAWING		SERIES		D-SIZE 74750		

# PCB LAYOUT FOR BELLY TO BELLY MOUNTING



**NOTE:**  
SEE PREVIOUS SHEET FOR  
HOST CONNECTOR DETAIL  
AND LED LOCATION DETAILS

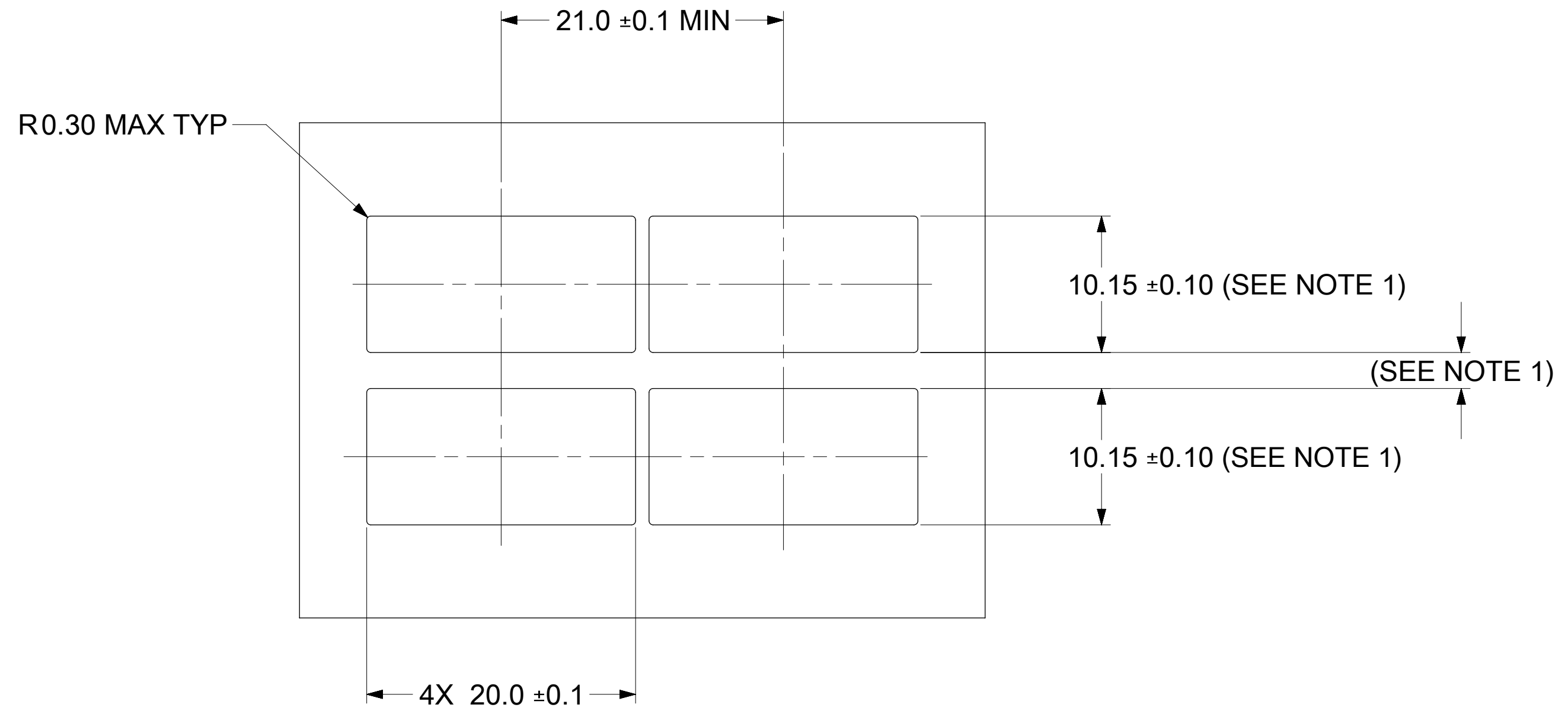
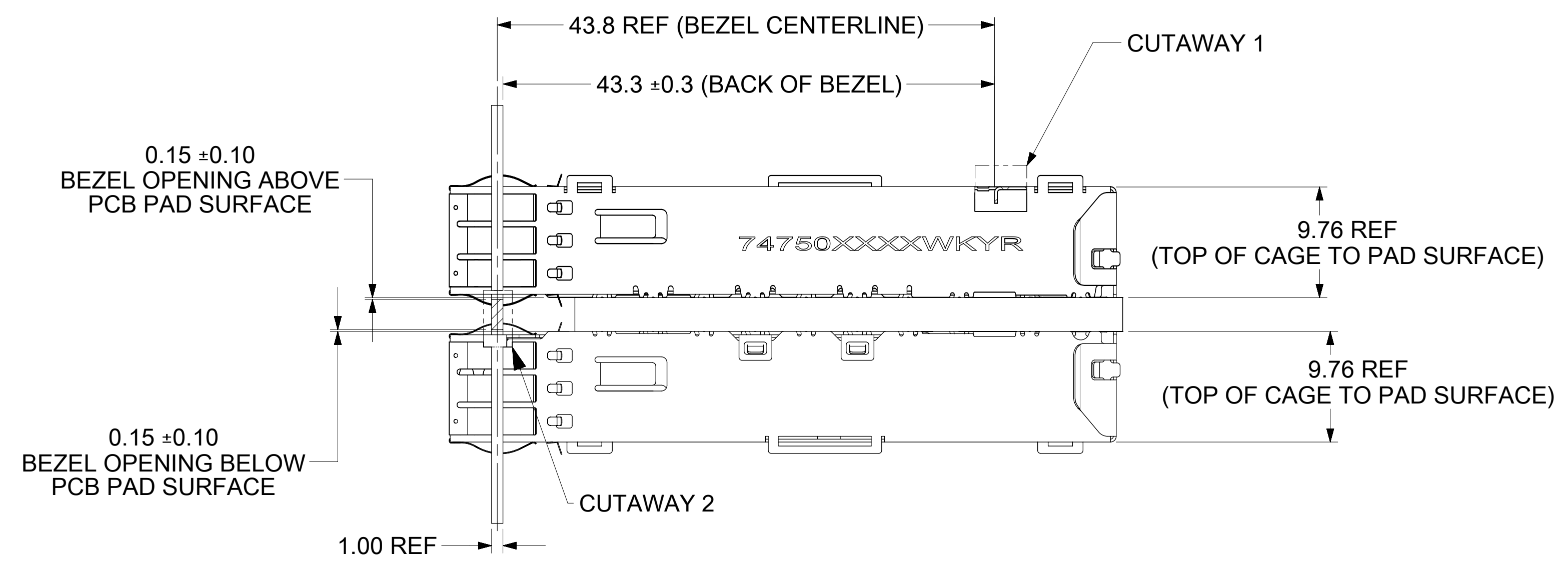
## NOTES:

- DATUM -A- IS TOP SURFACE OF HOST BOARD PER MSA.
- FINISHED HOLE SIZE (AFTER PLATING).
- DATUM -K- IS HOST BOARD THRU HOLE #1 TO ACCEPT CONNECTOR GUIDE POST PER MSA.
- DATUM -L- IS HOST BOARD THRU HOLE #2 TO ACCEPT CONNECTOR GUIDE POST PER MSA.
- BELLY TO BELLY BOARD THICKNESS:  
MINIMUM: 3.00 [0.118"] FOR 3.05MM LEGS.  
MINIMUM: 2.07 [0.081"] FOR 2.28MM LEGS.  
1.90MM AND 2.90MM SOLDER POST LEGS CANNOT BE MOUNTED BELLY TO BELLY

<b>FUNCTIONAL SYMBOLS</b> $\nabla_A = 0$ $\nabla_C = 0$ $\nabla_P = 0$	THIS DRAWING CONTAINS INFORMATION THAT IS PROPRIETARY TO MOLEX ELECTRONIC TECHNOLOGIES, LLC AND SHOULD NOT BE USED WITHOUT WRITTEN PERMISSION		CURRENT REV DESC: SEE REV TABLE.				
	mm	6:1	GENERAL TOLERANCES (UNLESS SPECIFIED)				
	ANGULAR TOL $\pm 1.0^\circ$		EC NO: 723392				
	4 PLACES $\pm$		DRWN: VISHNM2 2022/09/27				
<b>DIVISIONAL SYMBOLS</b> 3 PLACES $\pm$ 2 PLACES $\pm 0.13$ 1 PLACE $\pm 0.25$ 0 PLACES $\pm$	3 PLACES $\pm$		CHK'D: DKUMARG 2022/10/03		PRODUCT CUSTOMER DRAWING DOCUMENT NUMBER <b>747503021</b> DOC TYPE PSD ASY B REVISION		
	2 PLACES $\pm 0.13$		APPR: SCHIEN 2022/10/12				
	1 PLACE $\pm 0.25$		INITIAL REVISION: DRWN: CHETHH2 2022/02/17				
	0 PLACES $\pm$		APPR: JCHIANG 2022/03/28				
DRAFT WHERE APPLICABLE MUST REMAIN WITHIN DIMENSIONS		THIRD ANGLE PROJECTION	DRAWING	SERIES	MATERIAL NUMBER	CUSTOMER	SHEET NUMBER
			D-SIZE	74750	SEE P/N TABLE	GENERAL MARKET	8 OF 11

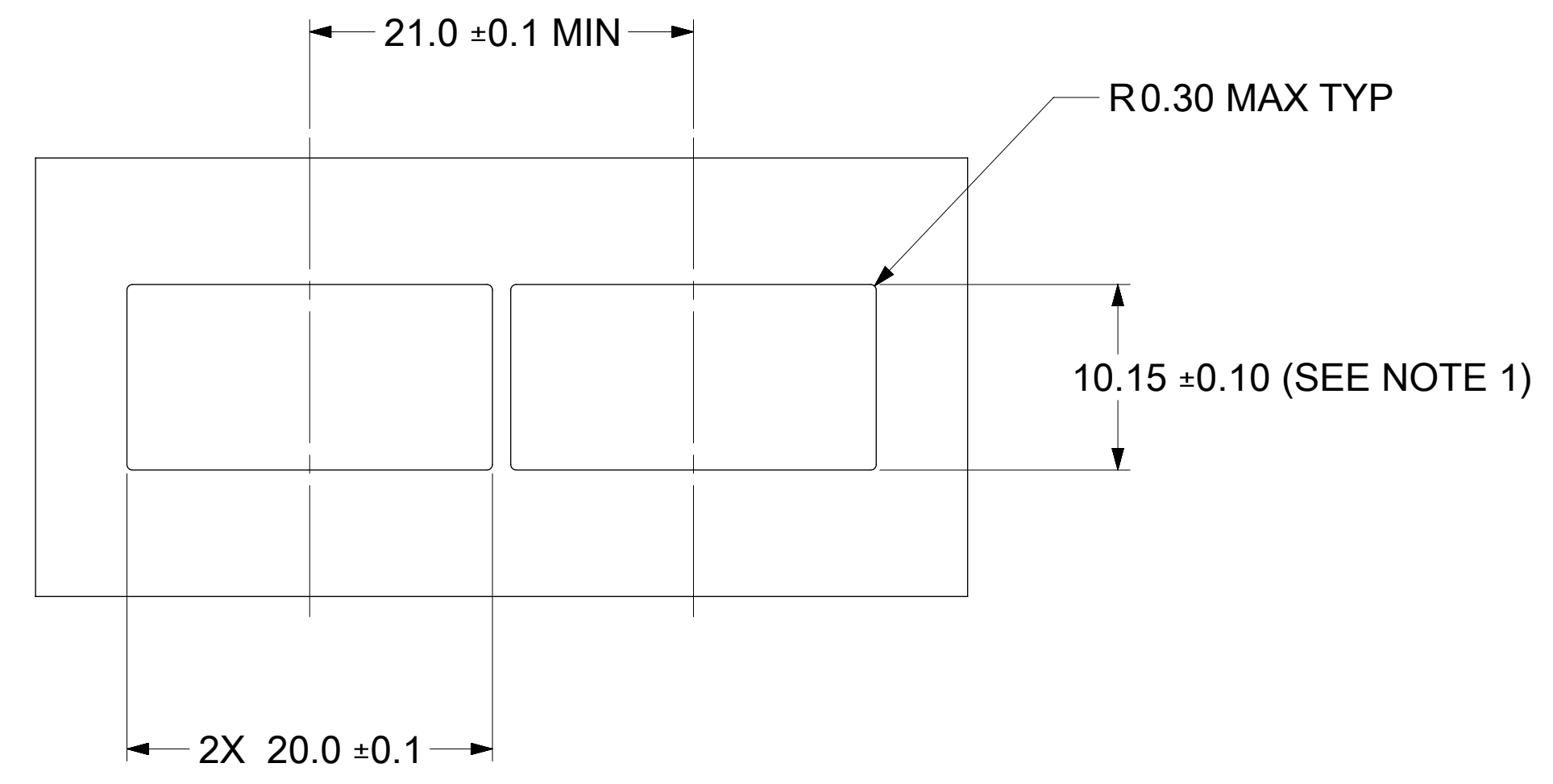
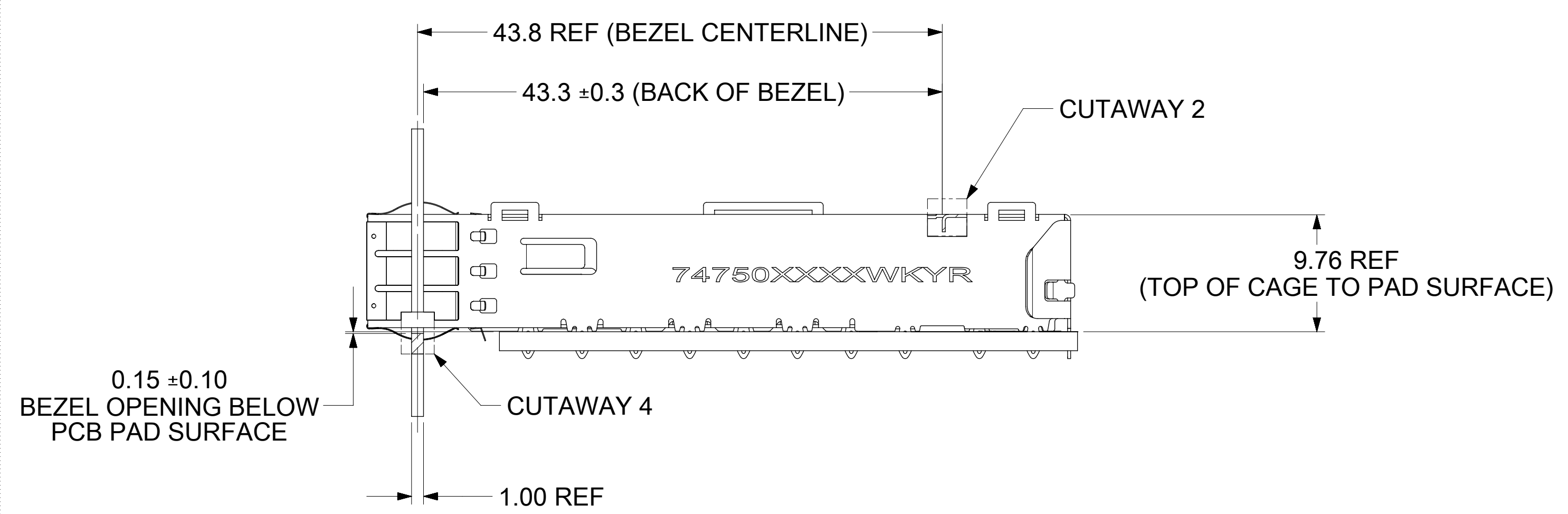


# BOARD POSITION AND BEZEL DIMENSIONS FOR BELLY TO BELLY MOUNTING



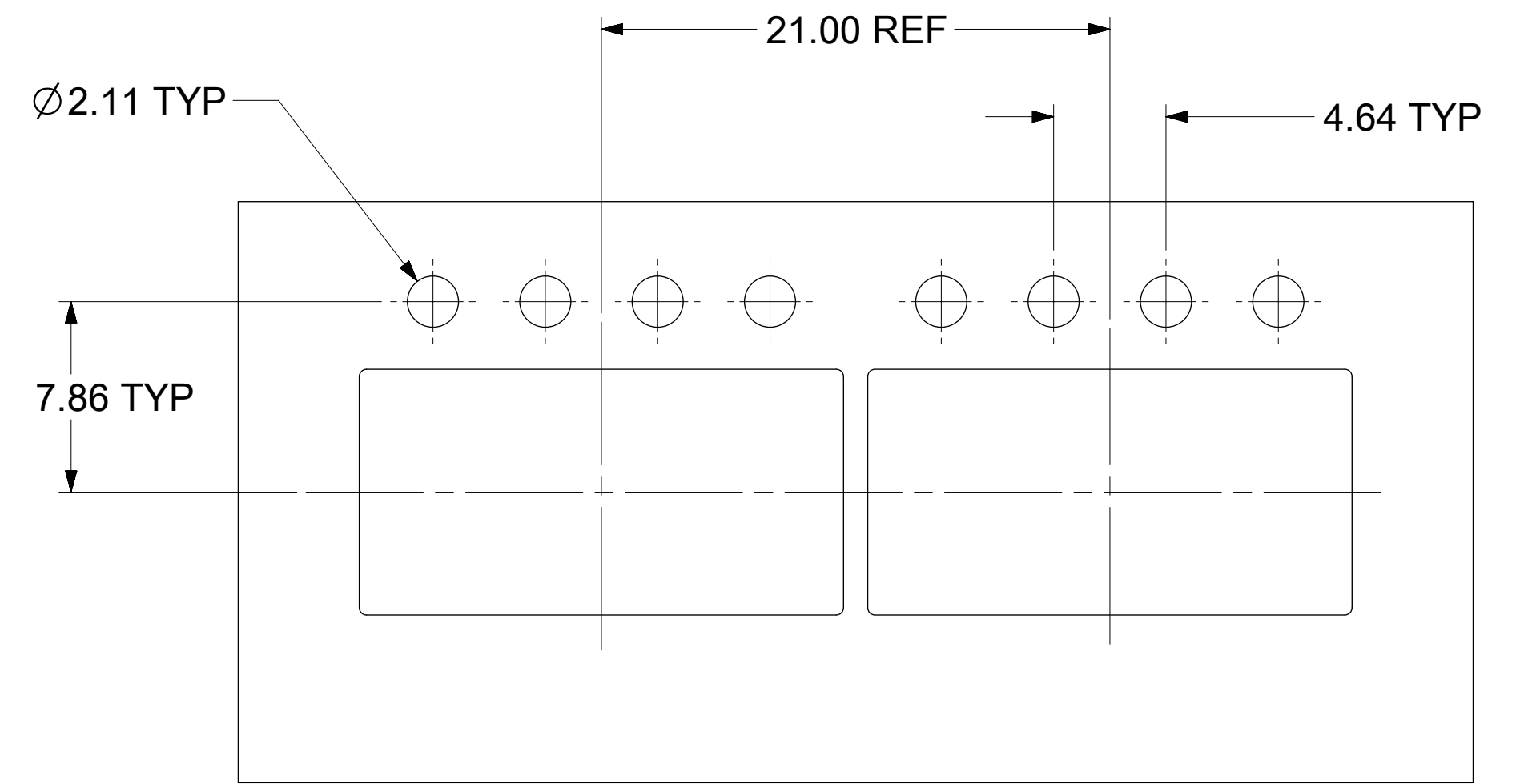
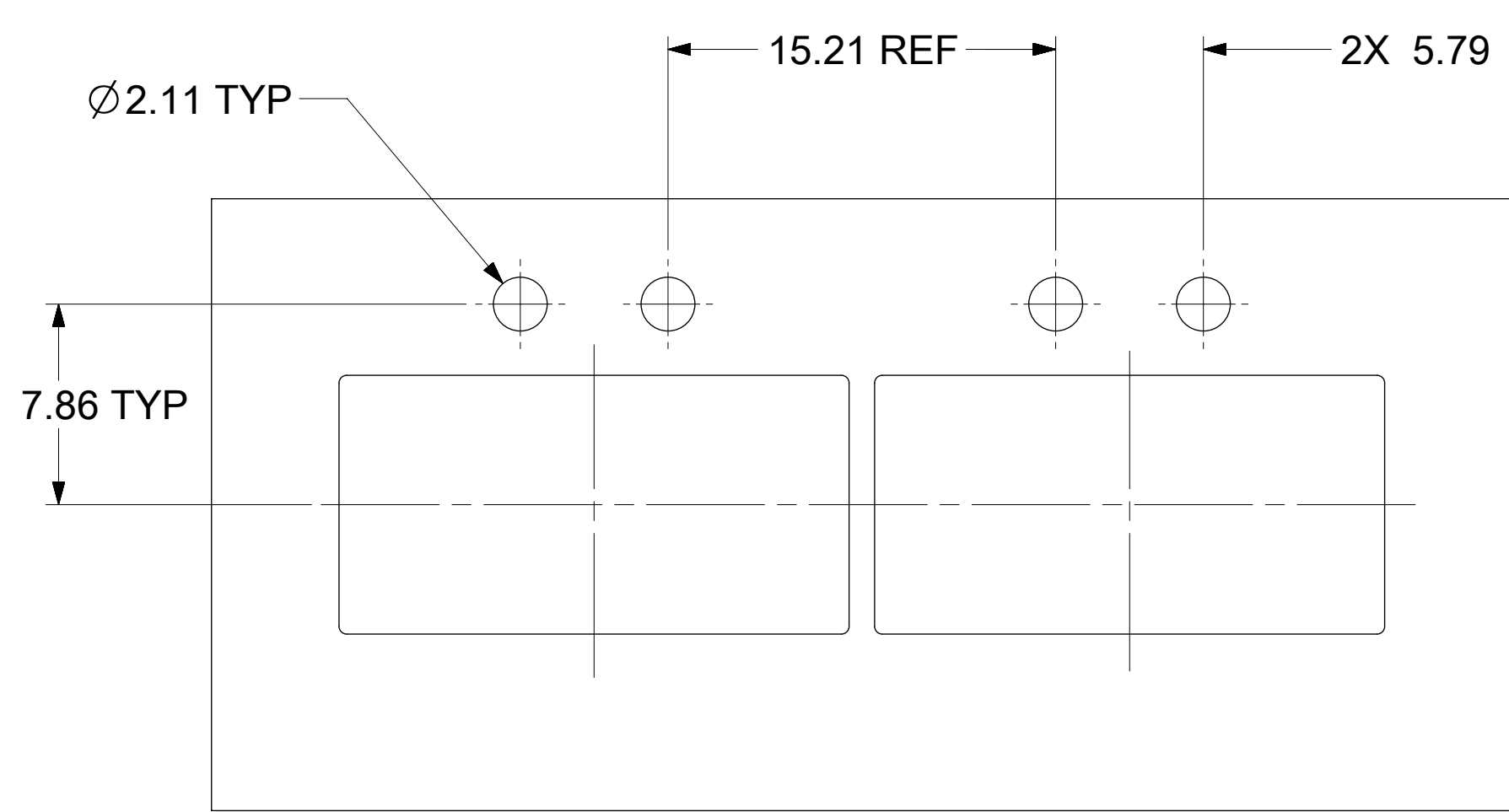
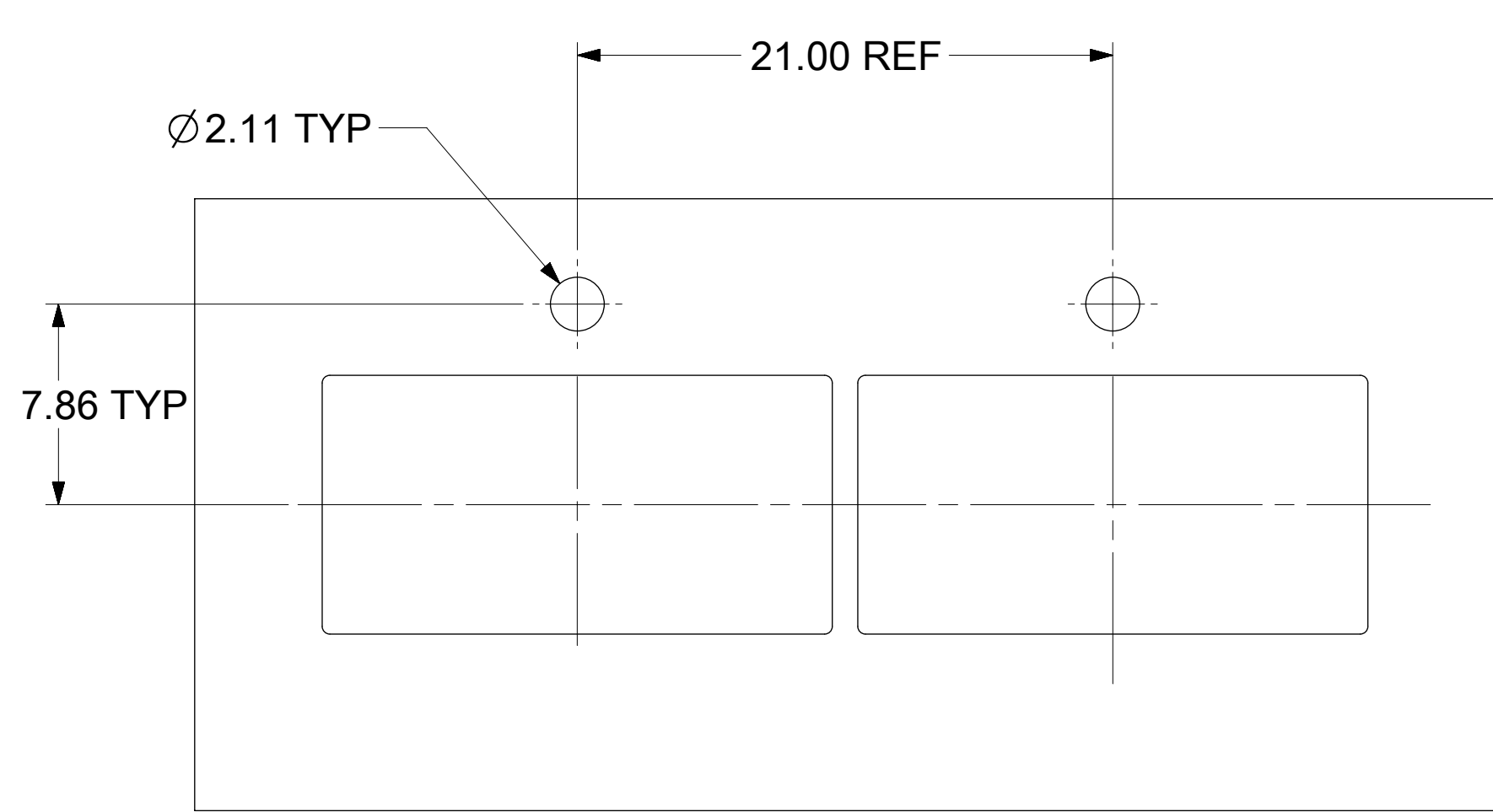
NOTE:  
 1. PCB THICKNESS VARIATION MUST BE CONSIDERED WHEN DETERMING BEZEL OPENING, SIZE, AND LOCATION.  
 2. SEE QSFP MSA SPECIFICATION FOR BEZEL LOCATION TOLERANCE.

# BOARD POSITION AND BEZEL DIMENSIONS FOR SINGLE SIDE MOUNTING



<b>FUNCTIONAL SYMBOLS</b> $F_A = 0$ $F_C = 0$ $F_P = 0$	THIS DRAWING CONTAINS INFORMATION THAT IS PROPRIETARY TO MOLEX ELECTRONIC TECHNOLOGIES, LLC AND SHOULD NOT BE USED WITHOUT WRITTEN PERMISSION		CURRENT REV DESC: SEE REV TABLE.			
	DIMENSION UNITS	SCALE				
	GENERAL TOLERANCES (UNLESS SPECIFIED)					
	ANGULAR TOL					
<b>DIVISIONAL SYMBOLS</b>	4 PLACES	±	EC NO: 723392	2022/09/27	DOCUMENT NUMBER <b>747503021</b>	
	3 PLACES	±	DRWN: VISHNM2	2022/10/03		DOC TYPE PSD
	2 PLACES	± 0.13	CHK'D: DKUMARG	2022/10/12		DOC PART ASY
	1 PLACE	± 0.25	APPR: SCHIEN			REVISION B
DRAFT WHERE APPLICABLE MUST REMAIN WITHIN DIMENSIONS		THIRD ANGLE PROJECTION	DRAWING	SERIES	MATERIAL NUMBER	
			<b>D-SIZE</b>	<b>74750</b>	SEE P/N TABLE	
					CUSTOMER	
					GENERAL MARKET	
					SHEET NUMBER	
					9 OF 11	

# LIGHT PIPE CUTOUT DIMENSIONS



FUNCTIONAL SYMBOLS	THIS DRAWING CONTAINS INFORMATION THAT IS PROPRIETARY TO MOLEX ELECTRONIC TECHNOLOGIES, LLC AND SHOULD NOT BE USED WITHOUT WRITTEN PERMISSION		
	DIMENSION UNITS	SCALE	CURRENT REV DESC: SEE REV TABLE.
$\nabla_A = 0$	mm	4:1	EC NO: 723392 DRWN: VISHNM2 2022/09/27 CHK'D: DKUMARG 2022/10/03 APPR: SCHIEN 2022/10/12
$\nabla_C = 0$	GENERAL TOLERANCES (UNLESS SPECIFIED)		
$\nabla_D = 0$	ANGULAR TOL $\pm 1.0^\circ$		INITIAL REVISION: DRWN: CHETHH2 2022/02/17 APPR: JCHIANG 2022/03/28
DIVISIONAL SYMBOLS	4 PLACES	$\pm$	
	3 PLACES	$\pm$	DOCUMENT NUMBER
	2 PLACES	$\pm 0.13$	747503021
	1 PLACE	$\pm 0.25$	DOC TYPE
	0 PLACES	$\pm$	PSD
DRAFT WHERE APPLICABLE MUST REMAIN WITHIN DIMENSIONS	THIRD ANGLE PROJECTION	DRAWING	DOC PART
		D-SIZE	ASY
		SERIES	REVISION
		74750	B
		MATERIAL NUMBER	CUSTOMER
		SEE P/N TABLE	GENERAL MARKET
			SHEET NUMBER
			10 OF 11

REV	DATE	DESCRIPTION
A	2022/02/17	1. INITIAL RELEASE
A1	2022/06/27	SHEET 02: C17: CORRECTED THE LEG OPTIONS DETAIL VIEW'S TO HIDE UNWANTED LEGS. SHEET 09: J06 : HIDE UNWANTED LEGS FROM THE VIEW.
B	2022/10/03	SHEET 06: J17 : ADDED P/N TABLE & ISO VIEW OF P/N 747503057. SHEET 09: H16 : CAGE ASSEMBLY ERROR CORRECTED.

FUNCTIONAL SYMBOLS	THIS DRAWING CONTAINS INFORMATION THAT IS PROPRIETARY TO MOLEX ELECTRONIC TECHNOLOGIES, LLC AND SHOULD NOT BE USED WITHOUT WRITTEN PERMISSION										
	FA = 0	DIMENSION UNITS	SCALE	CURRENT REV DESC: SEE REV TABLE.							<b>molex</b>
FC = 0	mm	1:1	GENERAL TOLERANCES (UNLESS SPECIFIED)			EC NO: 723392				QSF+ 1X1 CAGE ASSEMBLY WITH SUS TAB TYPE SPRING FINGER	
FP = 0	ANGULAR TOL ± 1.0°		4 PLACES ±			DRWN: VISHNM2 2022/09/27					
DIVISIONAL SYMBOLS	3 PLACES ±		2 PLACES ± 0.13			INITIAL REVISION:				MATERIAL NUMBER: <b>74750</b> CUSTOMER: GENERAL MARKET    SHEET NUMBER: 11 OF 11	
	1 PLACE ± 0.25		0 PLACES ±			DRWN: CHETHH2 2022/02/17					
	DRAFT WHERE APPLICABLE MUST REMAIN WITHIN DIMENSIONS		THIRD ANGLE PROJECTION		DRAWING: D-SIZE		SERIES: 74750		2022/03/28		
APPR: JCHIANG		APPR: SCHIEN		APPR: CHIEN		APPR: JCHIANG					