

NOTES:

- MATERIAL:  
HOUSING: LIQUID CRYSTAL POLYMER, GLASS FILLED, UL 94V-0, COLOUR BLACK.  
TERMINAL/BLADE: COPPER ALLOY.
- PLATING:  
TERMINAL CONTACTS: 0.76µm MIN. SELECTIVE GOLD  
OVER 1.27m MIN. NICKEL UNDERPLATE.  
TERMINAL SOLDER TAILS/BLADE: 2.54µm MIN. TIN  
OVER 1.27m MIN. NICKEL UNDERPLATE.
- MOLEX LOGO AND DATE CODE LOCATED APPROXIMATELY AS SHOWN.
- PRODUCT CONFORMS TO SFF-8482 SPECIFICATION.
- KEEP OUT ZONE ON BOTH SIDE OF THE PCB FOR CONNECTOR.
- PACKAGING: TRAY.
- PRODUCT SPECIFICATION PS-87970-003 APPLIES.
- MATES WITH: SFF-8482 PLUG  
SATA PLUG SERIES 87679, 87703 AND 87799
- THIS PRODUCT IS COMPLIANT TO RoHS DIRECTIVE WITH THE FOLLOWING BANNED SUBSTANCES - LEAD, MERCURY, CADMIUM, HEXAVALENT CHROMIUM, POLYBROMINATED BIPHENYLS, POLYBROMINATED DIPHENYLS ETHERS.

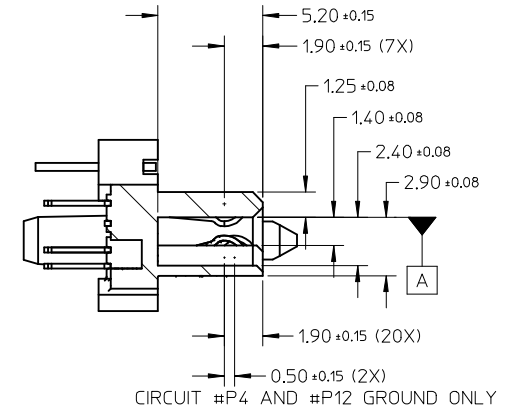
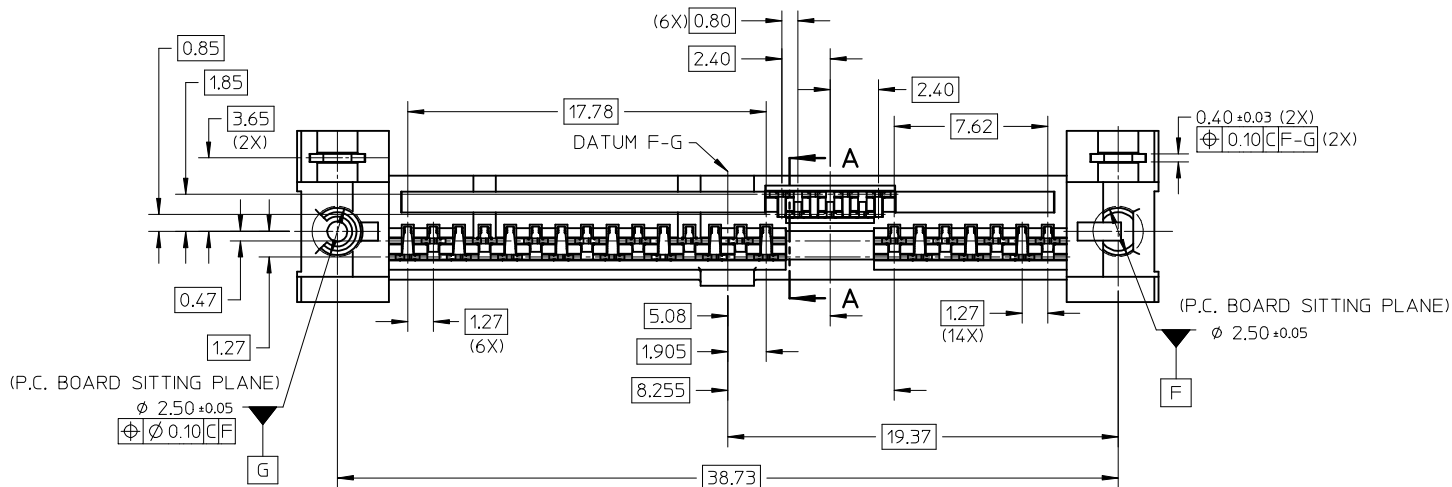
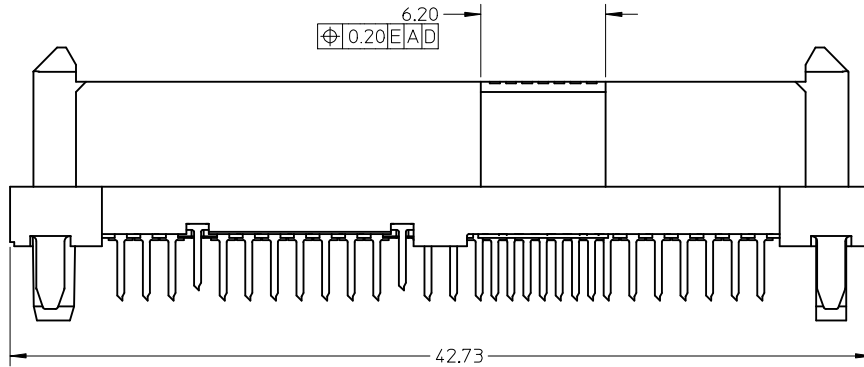
THIS DESIGN IS BASED ON DESIGN OBJECTIVES AND IS STRICTLY TENTATIVE. IT MAY CHANGE BASED ON RESULTS OF ADDITIONAL DESIGN REVIEWS & VERIFICATIONS.

REVISED	EC NO: S2006-0480	2005/11/10	2005/11/10	2005/11/11
DRWN:YKOH	CHKD:SHONG	APPR:KCLING		
DESCRIPTION				
QUALITY SYMBOLS	▽=0	◻=0		
REV	A1			

GENERAL TOLERANCES (UNLESS SPECIFIED)	mm	INCH	
	4 PLACES	± ---	± ---
	3 PLACES	± ---	± ---
	2 PLACES	± 0.20	± ---
	1 PLACE	± ---	± ---
ANGULAR ± 3 °			
DRAFT WHERE APPLICABLE MUST REMAIN WITHIN DIMENSIONS			

DIMENSION STYLE		SCALE	DESIGN UNITS	THIRD ANGLE PROJECTION
MM ONLY		NTS	METRIC	
DRAWN BY	DATE	TITLE		
DKOH	2004/12/03	SERIAL ATTACH SCSI VERT. STAGGERED T/H STANDARD HEIGHT		
CHECKED BY	DATE	MOLEX MOLEX INCORPORATED		
KCLING	2005/01/13	DOCUMENT NO. SD-87970-001		
APPROVED BY	DATE	SHEET NO. 1 OF 4		
SKTOH	2005/01/14	THIS DRAWING CONTAINS INFORMATION THAT IS PROPRIETARY TO MOLEX INCORPORATED AND SHOULD NOT BE USED WITHOUT WRITTEN PERMISSION		
MATERIAL NO.	87970-0001			
SIZE	A3			

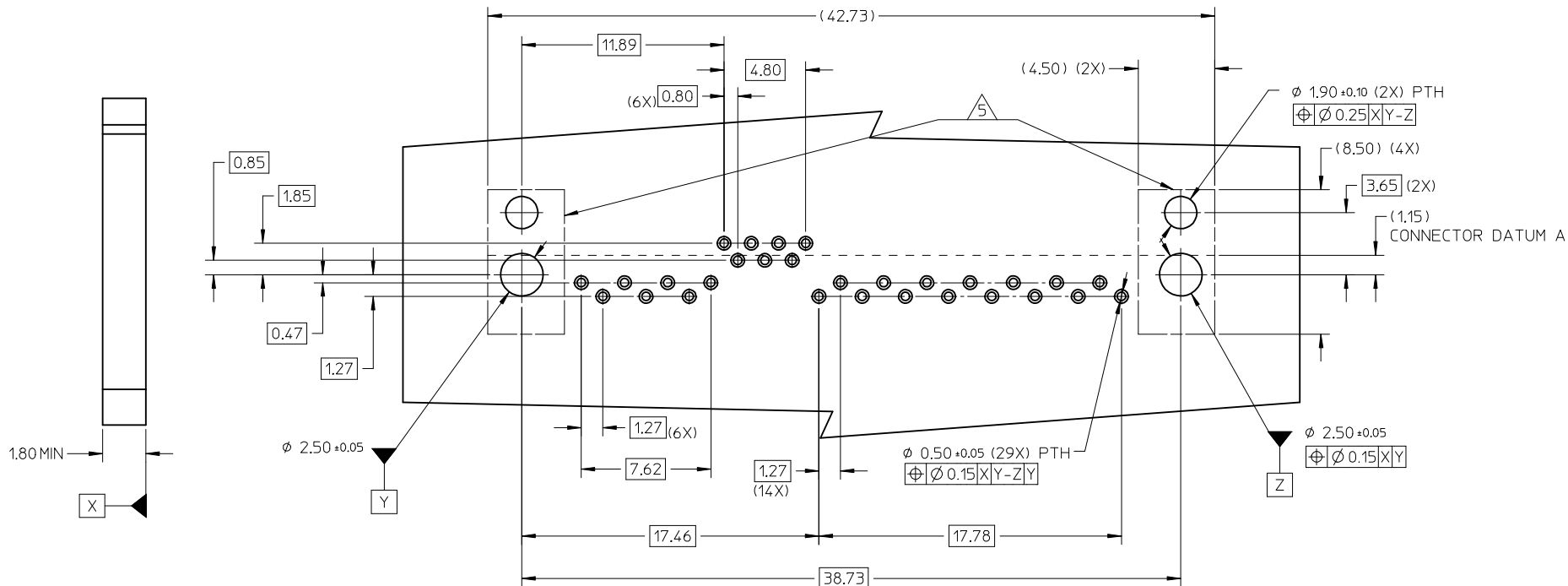
10 9 8 7 6 5 4 3 2 1



SECTION A-A

SEE SHEET 1 EC NO: S2006-0480 DRWN:YKOH CHKD:SHONG APPR:KCLING	2005/11/10 2005/11/10 2005/11/11	DESCRIPTION A1	QUALITY SYMBOLS	GENERAL TOLERANCES (UNLESS SPECIFIED)	DIMENSION STYLE	SCALE	DESIGN UNITS	THIRD ANGLE PROJECTION	
			▽=0 Ⓢ=0	mm    INCH 4 PLACES ± --- ± --- 3 PLACES ± --- ± --- 2 PLACES ± 0.20 ± --- 1 PLACE ± --- ± --- ANGULAR ± 3 °	MM ONLY	NTS	METRIC		
					DRAWN BY: DKOH    DATE: 2004/12/03 CHECKED BY: KCLING    DATE: 2005/01/13 APPROVED BY: SKTOH    DATE: 2005/01/14	TITLE	SERIAL ATTACH SCSI VERT. STAGGERED T/H STANDARD HEIGHT		
					MATERIAL NO. 87970-0001 SIZE A3	MOLEX INCORPORATED DOCUMENT NO. SD-87970-001 SHEET NO. 2 OF 4	THIS DRAWING CONTAINS INFORMATION THAT IS PROPRIETARY TO MOLEX INCORPORATED AND SHOULD NOT BE USED WITHOUT WRITTEN PERMISSION		

9 8 7 6 5 4 3 2 1



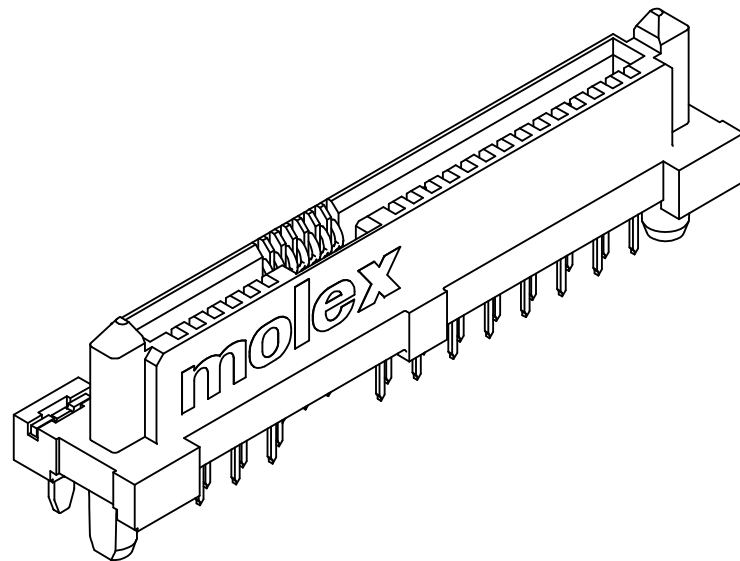
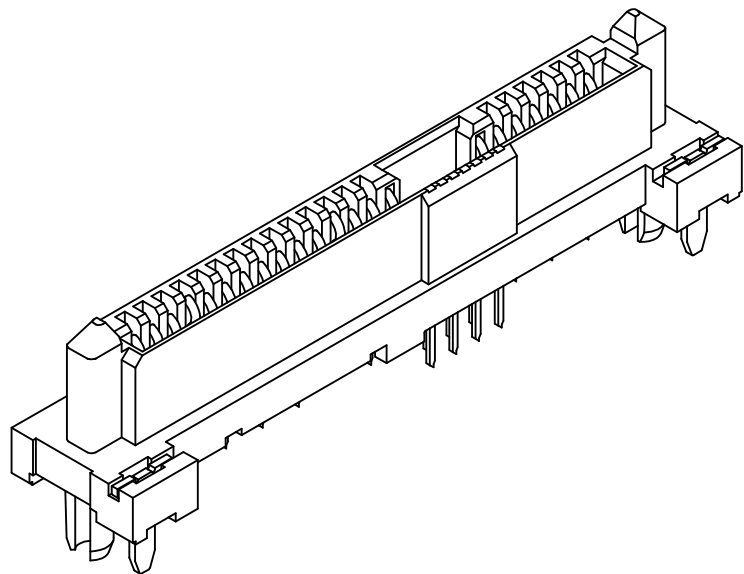
RECOMMENDED PCB LAYOUT

SEE SHEET 1 EC NO: S2006-0480 DRWN:YKOH CHKD:SHONG APPR:KCLING	2005/11/10 2005/11/10 2005/11/11	DESCRIPTION REV	QUALITY SYMBOLS	GENERAL TOLERANCES (UNLESS SPECIFIED) mm    INCH 4 PLACES ± --- ± --- 3 PLACES ± --- ± --- 2 PLACES ± 0.20 ± --- 1 PLACE ± --- ± --- ANGULAR ± 3 °	DIMENSION STYLE	SCALE	DESIGN UNITS	THIRD ANGLE PROJECTION
			▽=0 Ⓢ=0		MM ONLY	NTS	METRIC	☉    ◻ PROJECTION
			DRAWN BY: DKOH CHECKED BY: KCLING APPROVED BY: SKTOH		DATE: 2004/12/03 DATE: 2005/01/13 DATE: 2005/01/14	TITLE: SERIAL ATTACH SCSI VERT. STAGGERED T/H STANDARD HEIGHT		
			MATERIAL NO.: 87970-0001		DOCUMENT NO.: SD-87970-001	MOLEX INCORPORATED SHEET NO. 3 OF 4		

DRAFT WHERE APPLICABLE MUST REMAIN WITHIN DIMENSIONS

SIZE A3

THIS DRAWING CONTAINS INFORMATION THAT IS PROPRIETARY TO MOLEX INCORPORATED AND SHOULD NOT BE USED WITHOUT WRITTEN PERMISSION



SEE SHEET 1 EC NO: S2006-0480 DRWN:YKOH CHKD:SHONG APPR:KCLING	2005/11/10 2005/11/10 2005/11/11	DESCRIPTION REV	QUALITY SYMBOLS ▽=0 ◻=0	GENERAL TOLERANCES (UNLESS SPECIFIED) <table border="1"> <thead> <tr> <th></th> <th>mm</th> <th>INCH</th> </tr> </thead> <tbody> <tr> <td>4 PLACES</td> <td>± ---</td> <td>± ---</td> </tr> <tr> <td>3 PLACES</td> <td>± ---</td> <td>± ---</td> </tr> <tr> <td>2 PLACES</td> <td>± 0.20</td> <td>± ---</td> </tr> <tr> <td>1 PLACE</td> <td>± ---</td> <td>± ---</td> </tr> </tbody> </table> ANGULAR ± 3 °		mm	INCH	4 PLACES	± ---	± ---	3 PLACES	± ---	± ---	2 PLACES	± 0.20	± ---	1 PLACE	± ---	± ---	DIMENSION STYLE MM ONLY DRAWN BY: DKOH CHECKED BY: KCLING APPROVED BY: SKTOH MATERIAL NO.: 87970-0001	DATE: 2004/12/03 DATE: 2005/01/13 DATE: 2005/01/14	SCALE: NTS DESIGN UNITS: METRIC THIRD ANGLE PROJECTION	TITLE: SERIAL ATTACH SCSI VERT. STAGGERED T/H STANDARD HEIGHT MOLEX INCORPORATED DOCUMENT NO.: SD-87970-001	SHEET NO.: 4 OF 4
		mm	INCH																					
	4 PLACES	± ---	± ---																					
	3 PLACES	± ---	± ---																					
2 PLACES	± 0.20	± ---																						
1 PLACE	± ---	± ---																						
DRAFT WHERE APPLICABLE MUST REMAIN WITHIN DIMENSIONS				SIZE: A3 THIS DRAWING CONTAINS INFORMATION THAT IS PROPRIETARY TO MOLEX INCORPORATED AND SHOULD NOT BE USED WITHOUT WRITTEN PERMISSION																				
A1																								