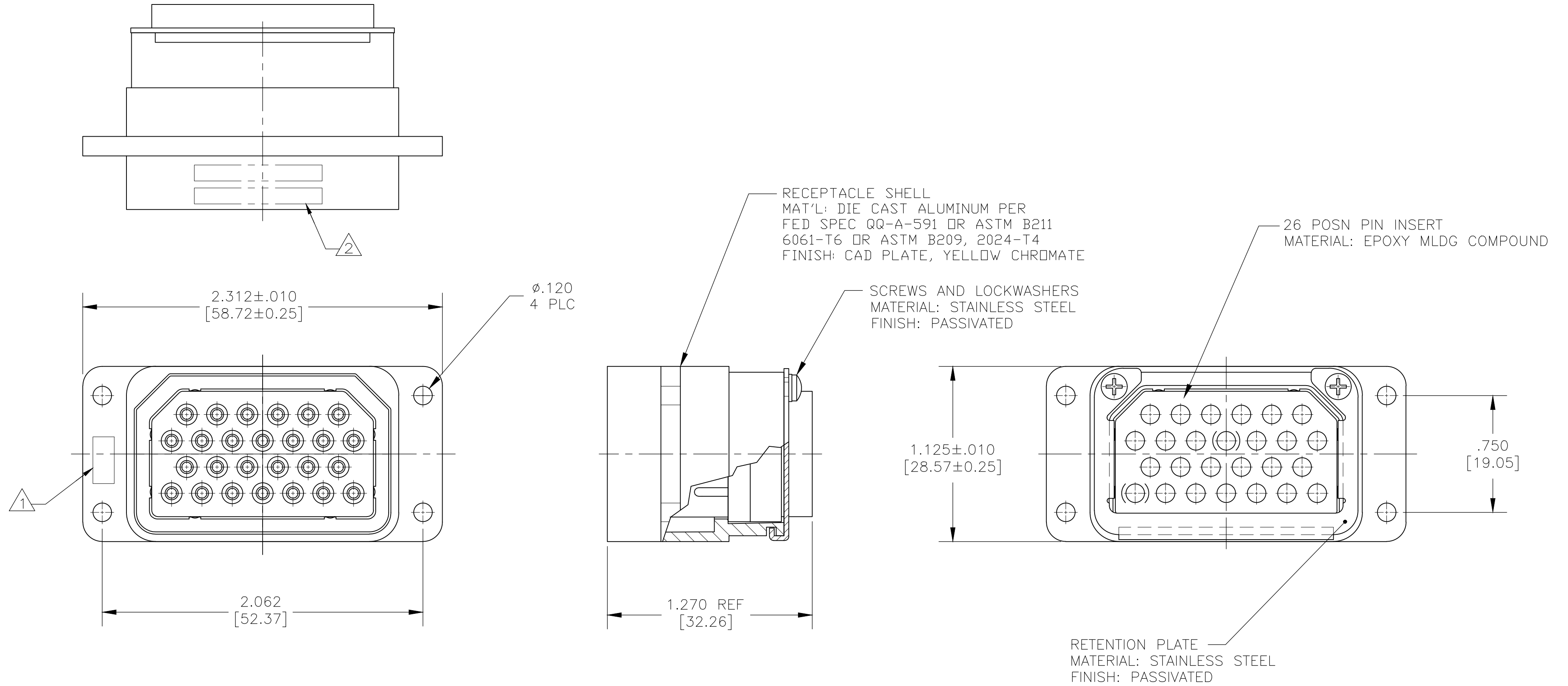


REVISIONS					
P	LTR	DESCRIPTION	DATE	DWN	APVD
B		REV PER ECO 20-008137	6-15-20	CT	RL



- △ AMP MARKED ON THIS SURFACE
- △ TE PART NUMBER AND DATE CODE AND DESCRIPTIVE NUMBER MARKED ON THIS SURFACE

1218203-1  
 PART NUMBER

THIS DRAWING IS A CONTROLLED DOCUMENT.		DWN C.C.THOMAS 3-114																					
DIMENSIONS: INCHES		CHK D. EABY 3-13-14																					
TOLERANCES UNLESS OTHERWISE SPECIFIED:		APVD D. EABY 3-13-14	NAME RECEPTACLE ASSEMBLY, ARINC 404, RMA1R26P-00 (201)																				
<table border="1"> <tr><td>0 PLC</td><td>±</td><td>-</td></tr> <tr><td>1 PLC</td><td>±</td><td>-</td></tr> <tr><td>2 PLC</td><td>±</td><td>-</td></tr> <tr><td>3 PLC</td><td>±</td><td>.005 [0.13]</td></tr> <tr><td>4 PLC</td><td>±</td><td>-</td></tr> <tr><td>ANGLES</td><td>±</td><td>-</td></tr> </table>		0 PLC	±	-	1 PLC	±	-	2 PLC	±	-	3 PLC	±	.005 [0.13]	4 PLC	±	-	ANGLES	±	-	PRODUCT SPEC -	SIZE A2	CAGE CODE 00779	DRAWING NO C=1218203
0 PLC	±	-																					
1 PLC	±	-																					
2 PLC	±	-																					
3 PLC	±	.005 [0.13]																					
4 PLC	±	-																					
ANGLES	±	-																					
MATERIAL SEE CALLOUTS		FINISH SEE CALLOUTS	WEIGHT 0.000000	SCALE 2:1	SHEET 1 of 1																		
CUSTOMER DRAWING			RESTRICTED TO -	REV B																			