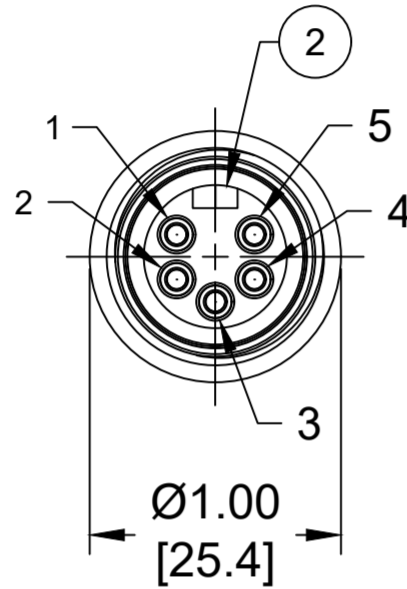
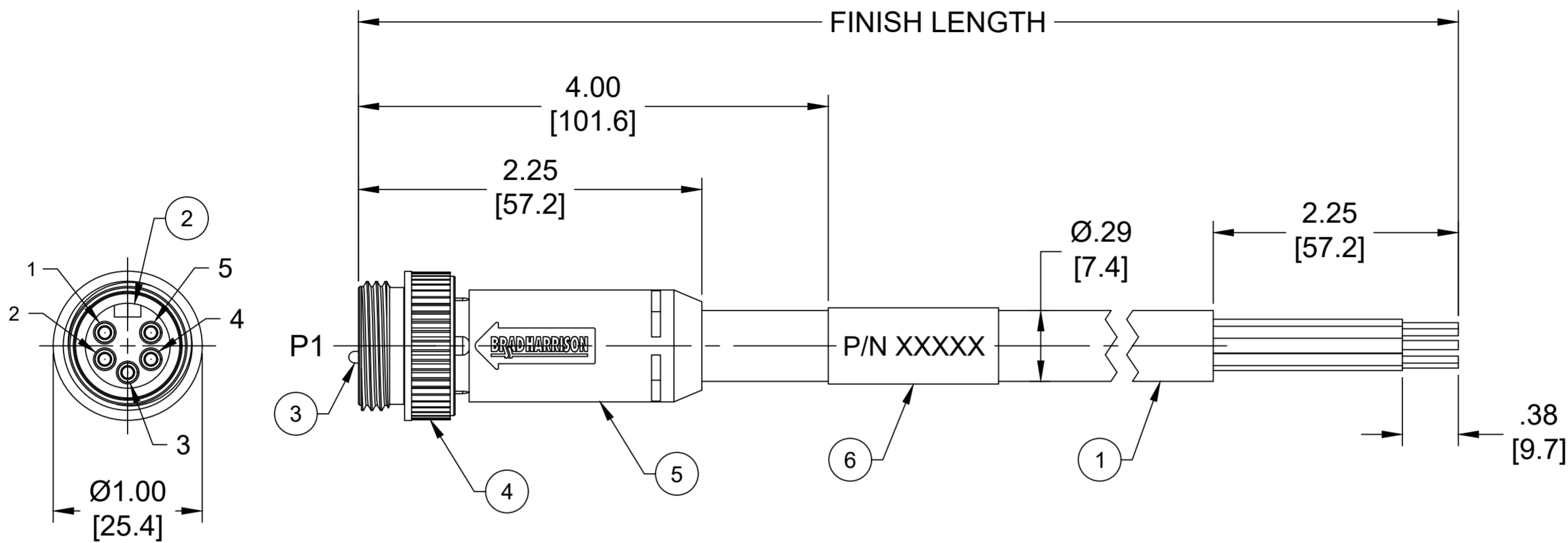
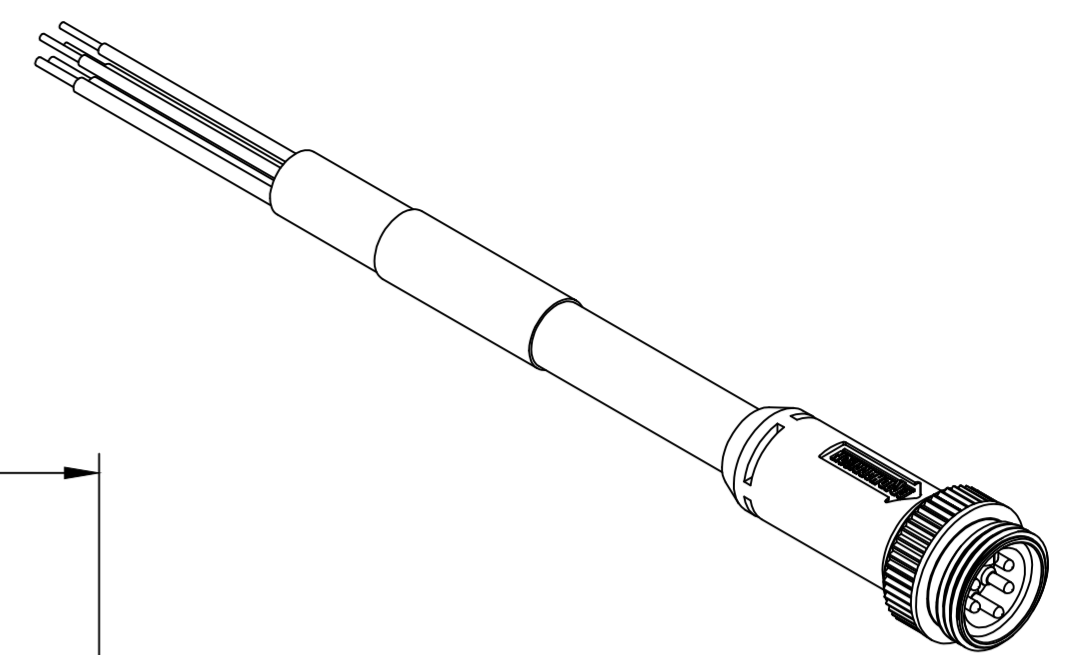


PART NO.	ENGINEERING NO.	FINISHED LENGTH
1300240189	DND01A-M005	0.5M [ 1FT 8 IN ]
1300240198	DND01A-M100	10M [ 30FT 10 IN ]
1300240201	DND01A-M200	20M [ 65FT 7 IN ]

Ⓒ



MALE FACE VIEW

P1	
1	DRAIN
2	RED +V
3	BLACK -V
4	WHITE CAN H
5	BLUE CAN L

WIRING DIAGRAM

NOTES:

- MATERIAL: AS NOTED
- FINISH: AS NOTED
- ELECTRICAL:  
VOLTAGE RATING PER IEC60664: 300V  
VOLTAGE RATING PER UL: 300V  
CURRENT: 4A
- TEMP RATING: -20° TO +80°C
- PROTECTION: IP67 (WHEN MATED)
- COUPLING THREAD: 7/8"-16UN
- UL RECOGNIZED FILE: E152210  
CSA CERTIFIED FILE: LR6837 Ⓒ
- ALL DIMENSIONS ARE FOR REFERENCE UNLESS TOLERANCED OR NOTED OTHERWISE

PART NUMBER LEGEND Ⓒ

DND01A-M005

↓  
CABLE LENGTH  
M005= 0.5 METER  
M010= 1 METER  
M100= 10 METER

Ⓒ CABLE LENGTH TOLERANCES

<.3M [1FT]:	+19mm-0 [ +.75in-0]
.3 - .9M [1 - 3FT]:	+44.5mm-0 [+1.75in-0]
.9 - 1.8M [3 - 6FT]:	+55.6mm-0 [+2.19in-0]
1.8 - 3.7M [6 - 12FT]:	+88.9mm-0 [+3.50in-0]
3.7 - 7.3M [12 - 24FT]:	+165.1mm-0 [+6.50in-0]
7.3-14.6M [24 - 48FT]:	+317.5mm-0 [+12.50in-0]
14.6 - 30.5M [48-100FT]:	+622.3mm-0 [+24.50in-0]
OVER 30M [100FT]	+2% OF FINISHED LENGTH

ITEM	COMPONENT	MATERIAL	FINISH
6	WRAP LABEL	VINYL	BLACK/YELLOW
5	OVERMOLD	TPE	GRAY
4	COUPLING NUT	ZINC DIE CAST	BLACK-E-COAT
3	CONTACT PIN	BRASS	GOLD OVER NICKEL
2	INSERT	TPE	BLACK
1	CABLE 22 AWG, DEVICENET	PVC JACKET	GRAY

Ⓒ

Ⓒ

FUNCTIONAL SYMBOLS				THIS DRAWING CONTAINS INFORMATION THAT IS PROPRIETARY TO MOLEX ELECTRONIC TECHNOLOGIES, LLC AND SHOULD NOT BE USED WITHOUT WRITTEN PERMISSION			
DIMENSION UNITS		SCALE		CURRENT REV DESC: ITEM #2 & #5 WERE PVC. ADDED UL & CSA, P/N LEGEND & TOL CHART. MODIFIED P/N CHART			
INCH/MM		NTS		<p>EC NO: 720800</p> <p>DRWN: ABENJAMINLW 2022/07/14</p> <p>CHK'D: RSTONE 2022/09/09</p> <p>APPR: BWOODMAN 2022/09/09</p> <p>INITIAL REVISION:</p> <p>DRWN: TWOLDEGE 2010/01/06</p> <p>APPR: JFMURPHY 2010/01/20</p>			
GENERAL TOLERANCES (UNLESS SPECIFIED)							
mm		INCH					
4 PLACES	±----	±----	±----				
3 PLACES	±----	±----	±----				
DIVISIONAL SYMBOLS		INCH		<p>DOCUMENT NUMBER</p> <p>SD-130024-090</p>			
2 PLACES	±----	±----	±----	<p>DOC TYPE/DOC PART/REVISION</p> <p>PSD 001 C</p>			
1 PLACE	±----	±----	±----	<p>PRODUCT CUSTOMER DRAWING</p>			
0 PLACES	±----	±----	±----	<p>MATERIAL NUMBER</p> <p>SEE CHART</p>			
ANGULAR TOL ± ---- °				<p>CUSTOMER</p> <p>GENERAL MARKET</p>			
DRAFT WHERE APPLICABLE MUST REMAIN WITHIN DIMENSIONS				<p>SHEET NUMBER</p> <p>1 OF 1</p>			
THIRD ANGLE PROJECTION		DRAWING		<p>SERIES</p> <p>130024</p>			