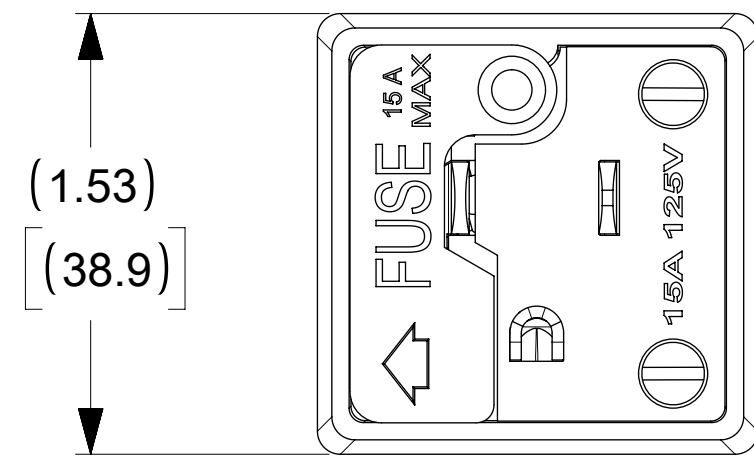
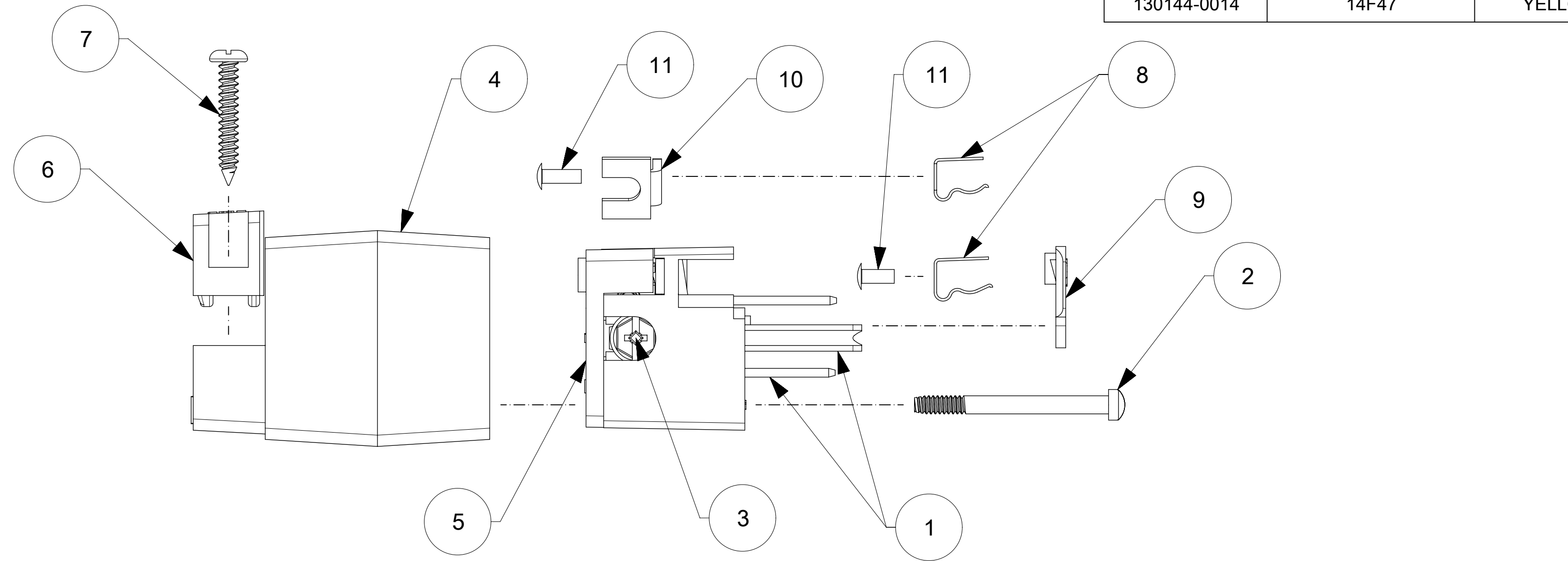
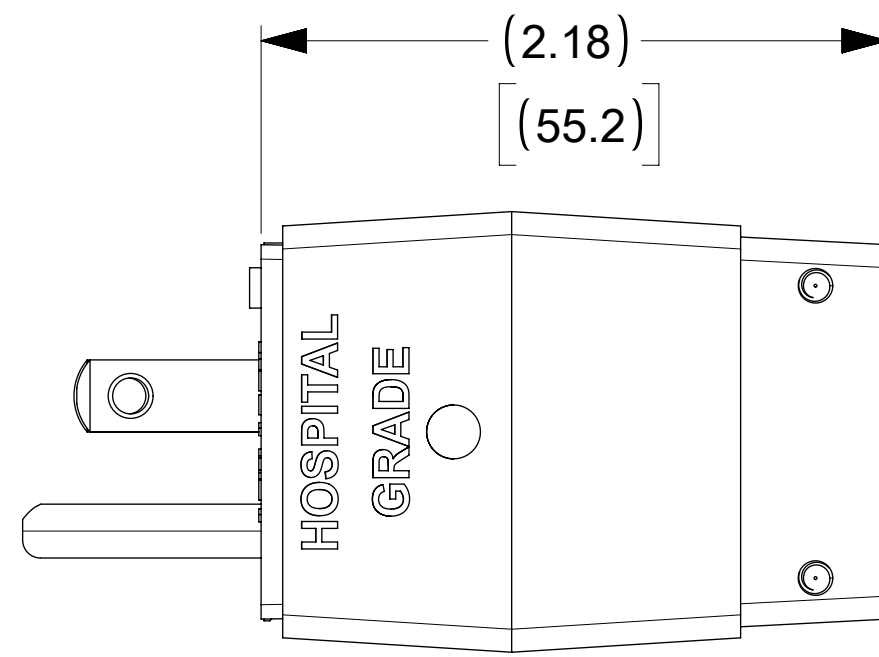


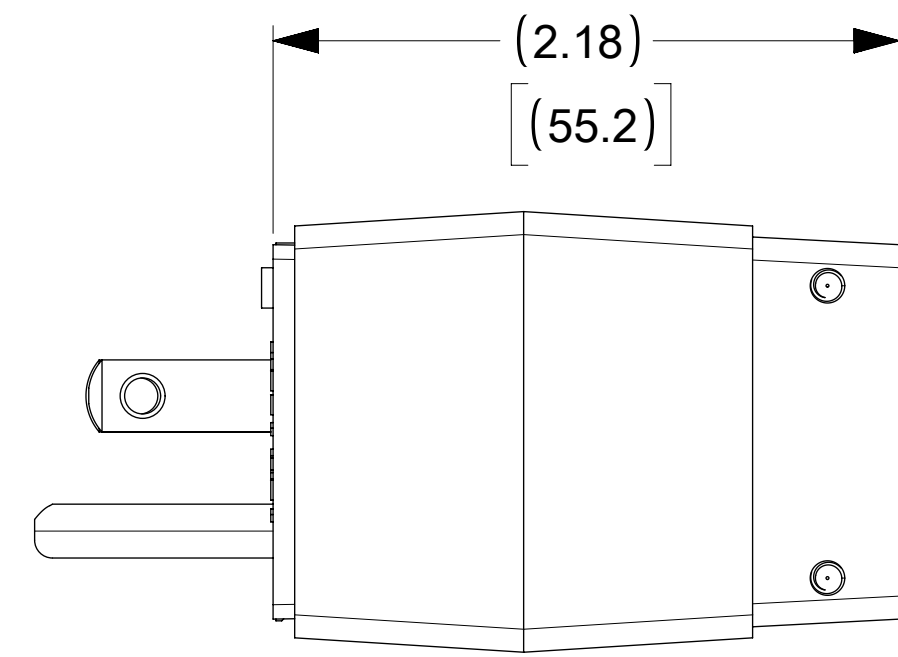
ORDER NO.	WOODHEAD NO.	COLOR	GRADE
130144-0077	85125	TRANSPARENT	HOSPITAL
130144-0014	14F47	YELLOW	STANDARD



FRONT VIEW



SIDE VIEW
(130144-0077/85125)



SIDE VIEW
(130144-0014/14F47)

ITEM NO.	DESCRIPTIONS	MATERIAL	QTY.
1	BLADES	BRASS	3
2	RETAINING SCREWS	STAINLESS STEEL	2
3	TERMINAL SCREWS/CLAMP ASSEMBLY	BRASS, ZINC PLATED	3
4	FUSED PLUG COVER	NYLON	1
5	FUSED PLUG TERM COVER	NYLON	1
6	CORD CLAMP	NYLON	1
7	PAN HD SCREWS	STAINLESS STEEL	2
8	FUSE HOLDER	NICKEL	2
9	FUSE COVER	NYLON	1
10	SADDLE CLAMP	BRASS	1
11	RIVETS	BRASS	2

SYMBOLS	THIS DRAWING CONTAINS INFORMATION THAT IS PROPRIETARY TO MOLEX ELECTRONIC TECHNOLOGIES, LLC AND SHOULD NOT BE USED WITHOUT WRITTEN PERMISSION			
	DIMENSION UNITS	SCALE	CURRENT REV DESC: NEW RELEASE	
∇ = 0	INCH[MM]	NTS	<p>molex</p> <p>FUSED GROUNDING PLUG 2P3W 5-15</p> <p>PRODUCT CUSTOMER DRAWING</p>	
∇ = 0	GENERAL TOLERANCES (UNLESS SPECIFIED)			
∇ = 0	MM	INCH		
∇ = 0	4 PLACES ±	±		
∇ = 0	3 PLACES ±	±	EC NO: 626918	
∇ = 0	2 PLACES ±	±	DRWN: VBASUTHKARP 2019/05/17	
∇ = 0	1 PLACE ±	±	CHK'D: DNGUYEN62 2019/12/02	
∇ = 0	0 PLACES ±	±	APPR: HKNEELAND 2020/01/13	
∇ = 0	ANGULAR TOL ± °		INITIAL REVISION:	
∇ = 0	DRAFT WHERE APPLICABLE MUST REMAIN WITHIN DIMENSIONS	THIRD ANGLE PROJECTION	DRWN: VBASUTHKARP 2019/05/17	
		DRAWING	APPR: HKNEELAND 2020/01/13	
		SERIES	130144	
		C-SIZE	130144	
			DOCUMENT NUMBER	
			1301440077	
			DOC TYPE	
			PSD	
			DOC PART	
			000	
			REVISION	
			A	
			MATERIAL NUMBER	
			SEE TABLE	
			CUSTOMER	
			GENERAL MARKET	
			SHEET NUMBER	
			1 OF 1	