

Connector - SACC-M12FR-5CT-CM SH - 1422853

Please be informed that the data shown in this PDF Document is generated from our Online Catalog. Please find the complete data in the user's documentation. Our General Terms of Use for Downloads are valid (<http://phoenixcontact.com/download>)



Connector, Universal, 5-position, shielded, Socket angled M12, A-coded, Crimp connection, knurl material: Zinc die-cast, nickel-plated, external cable diameter 4.5 mm ... 7.5 mm, without crimp contacts

Your advantages

- ✓ Extremely compact, thanks to the small wiring space and high contact density
- ✓ Safe use in the field, thanks to a high degree of protection
- ✓ Safely shielded: reliable shield connection even under extreme mechanical strain
- ✓ Robust connection: suitable for railway applications with high shock and vibration loads
- ✓ Automated processing possible
- ✓ Protected seal in the M12 socket



Key Commercial Data

Packing unit	1 pc
GTIN	
GTIN	4055626363301

Technical data

Dimensions

Wrench size, union nut	15 mm
Diameter housing	16 mm
Length	51 mm
External cable diameter	4.5 mm ... 7.5 mm
Stripping length of the sheath	18 mm
Stripping length of the individual wire	4 mm +0,5 mm

Ambient conditions

Ambient temperature (operation)	-40 °C ... 85 °C (Plug / socket)
---------------------------------	----------------------------------

General

Connector - SACC-M12FR-5CT-CM SH - 1422853

Technical data

General

Note	NOTE: Observe the permissible bending radii when laying conductors, since the degree of protection may be put in jeopardy if the bending forces are too high. Alleviate mechanical loads upstream of the connector, e.g. by using cable ties.
Rated current at 40°C	4 A
Rated voltage	48 V AC
	60 V DC
Number of positions	5
Insulation resistance	≥ 100 MΩ
Coding	A - standard
Standards/regulations	M12 connector IEC 61076-2-101
	Shock, vibration EN 50155:2001
Signal type/category	Universal
Status display	No
Overvoltage category	III
Degree of pollution	3
Connection method	Crimp connection
Conductor cross section	0.14 mm ² ... 1 mm ² (flexible)
Conductor cross section AWG	26 ... 18 (flexible)
Wire diameter incl. insulation	≤ 2.55 mm (Contact 5 up to max. 2.0 mm)
Insertion/withdrawal cycles	≥ 100
Torque	0.4 Nm (M12 knurl)
	1.5 Nm (Screw plug insert with sleeve housing as far it will go)
	4 Nm (Pressure nut with coupling sleeve)
Assembly instructions	The pin assignment can be rotated in a 30° pitch to the cable outlet

Material

Flammability rating according to UL 94	V0
Contact carrier material	PA 6.6
Material of grip body	Zinc die-cast, nickel-plated
Material, knurls	Zinc die-cast, nickel-plated
Sealing material	FKM
Standards/regulations	PA 6.6: Fire protection in rail vehicles - requirement sets R22, R23, R24, and R26 acc. to DIN EN 45545-2 (Risk level HL1 - HL3)

Standards and Regulations

Standard designation	M12 connector
Standards/regulations	IEC 61076-2-101
Standard designation	Shock, vibration
Standards/regulations	EN 50155:2001
Flammability rating according to UL 94	V0

Environmental Product Compliance

China RoHS	Environmentally friendly use period: unlimited = EFUP-e
------------	---

Connector - SACC-M12FR-5CT-CM SH - 1422853

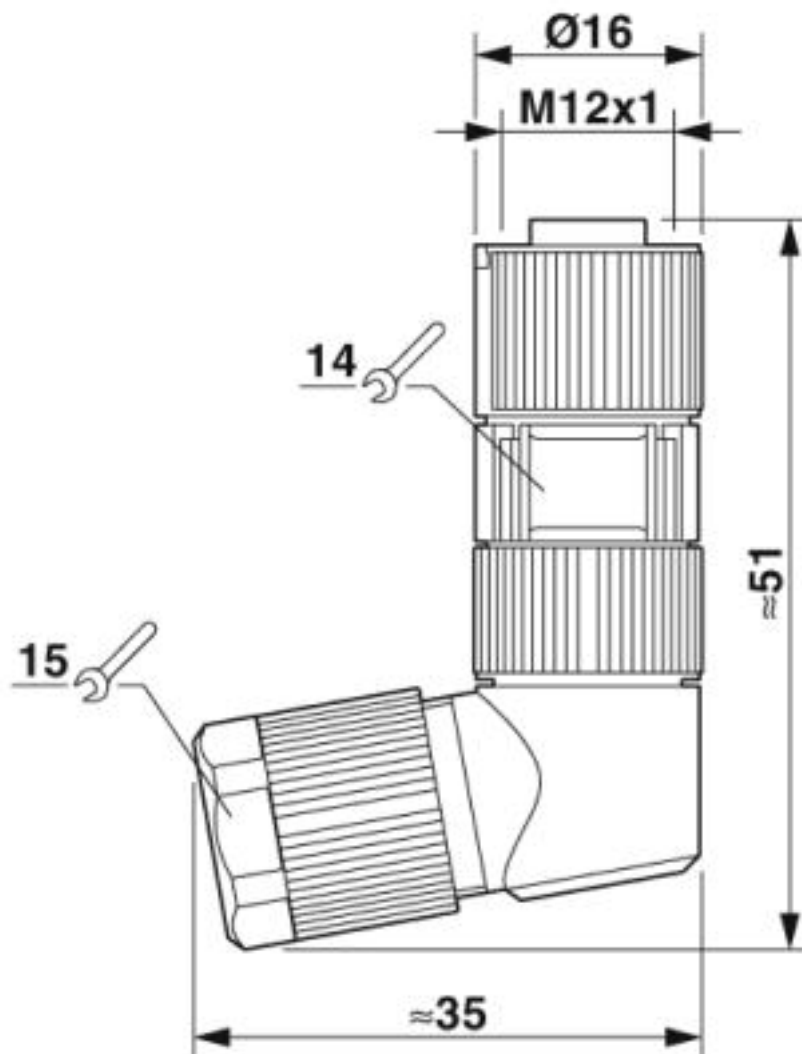
Technical data

Environmental Product Compliance

	No hazardous substances above threshold values
--	--

Drawings

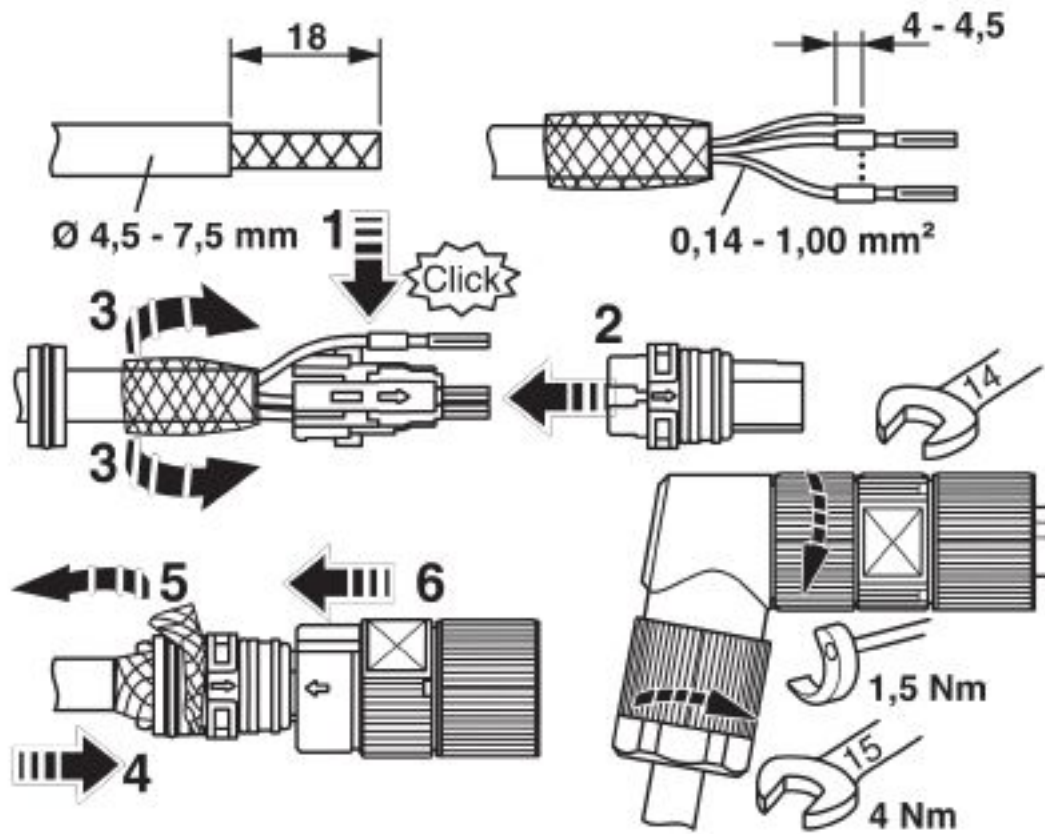
Dimensional drawing



M12 x 1 socket, angled, shielded

Connector - SACC-M12FR-5CT-CM SH - 1422853

Functional drawing



Connector - SACC-M12FR-5CT-CM SH - 1422853

Schematic diagram



Pin assignment M12 socket, 5-pos., A-coded, socket side view

Approvals

Approvals

Approvals

EAC

Ex Approvals

Approval details

Connector - SACC-M12FR-5CT-CM SH - 1422853

Approvals

EAC



EAC-Zulassung

Phoenix Contact 2019 © - all rights reserved
<http://www.phoenixcontact.com>

PHOENIX CONTACT GmbH & Co. KG
Flachsmarktstr. 8
32825 Blomberg
Germany
Tel. +49 5235 300
Fax +49 5235 3 41200
<http://www.phoenixcontact.com>