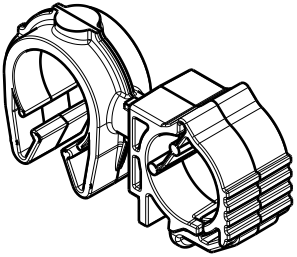
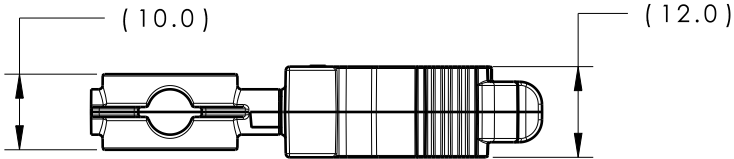
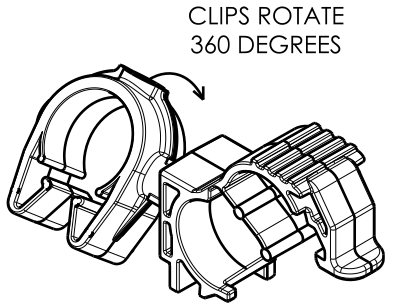
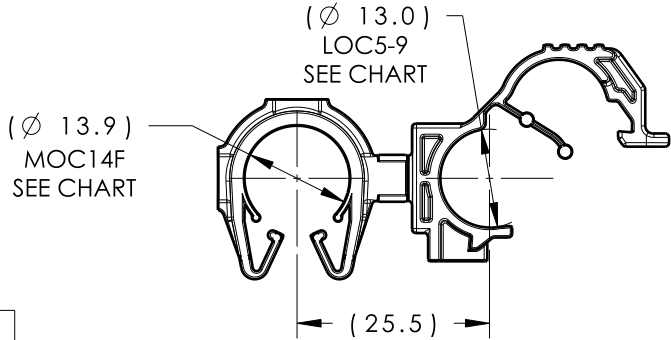


Revision Level			Revision Record	Changed	Date	Approved	Date
Drawing	State	Part					
00.0	Design Release	-	SEE ECN# 014928	TAT	2/13/2019	EJH	2/13/2019



ISOMETRIC VIEW CLOSED



CLIPS ROTATE 360 DEGREES

ISOMETRIC VIEW OPEN

TYPE	MOC14F
HARNESS	13.0MM-15.0MM
HOSE	13.0MM-15.0MM
HARD PIPE/TUBE	14.0MM-15.8MM

*RECOMMENDED SIZES MAY DIFFER DEPENDING ON THE APPLICATION , PRODUCT REQUIREMENTS AND MATERIALS USED

**PATENT PENDING 29/582,271

GLOBAL PART DESCRIPTION	MOC14**			LOC5-9					
	DRAWING	MATERIAL	COLOR	DRAWING	MATERIAL	COLOR			
MOC14FLOC5-9-PA66HIRHSUV-BK	16-0320-000-CSU	PA66HIRHSUV	BLACK	12-0430-031-CSU	PA66HIRHSUV	BLACK			
Material SEE CHART COLOR: SEE CHART	Units millimeters Tolerance defined on each dimension	The copyright of this drawing is reserved by HellermannTyton. It is issued on condition that it is not reproduced, copied or disclosed to a third party, either wholly or in part, without the consent of HellermannTyton.	Drawn	TAT	2/12/2019	Article/Type-No	MOC14FLOC5-9	Scale	1:1
			Approved	EJH	2/13/2019	Title	14mm MOC COUPLED TO A 5-9mm LOC	Project Number	16-0327
			HellermannTyton North America Email: corp@htamericas.com Web: www.hellermann.tyton.com		Drawing-No	PRODUCTION : Phase	Format	AH	
					16-0327-141-CSU		Sheet	1/1	