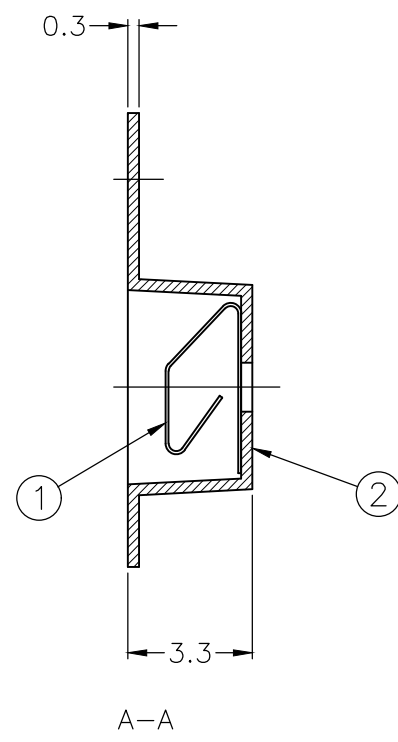
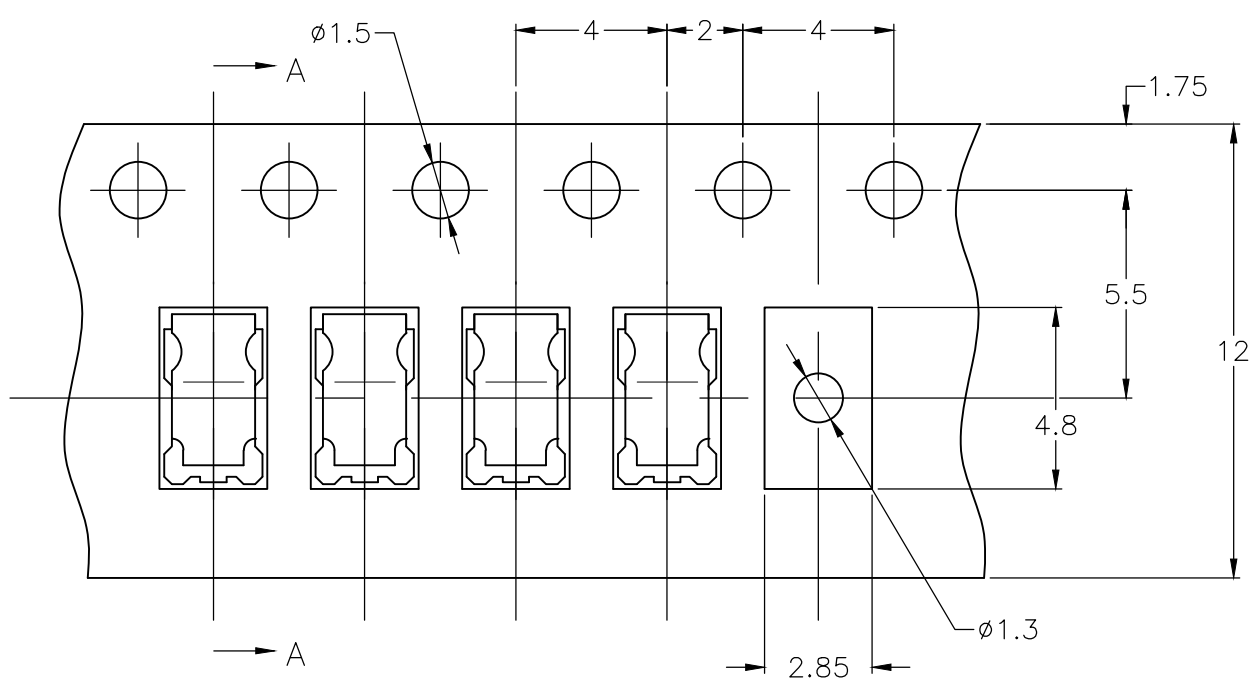


THIS DRAWING IS UNPUBLISHED. RELEASED FOR PUBLICATION  
 © COPYRIGHT - TE Connectivity Ltd. ALL RIGHTS RESERVED.

REVISIONS					
P	LTR	DESCRIPTION	DATE	DWN	APVD
	A2	REVISED ECR-18-009729	22JUN2018	J.J	W.H

DIRECTION OFF TOP OF REEL



- ① PACKING MATERIAL  
 EMBOSS CARRIER TAPE : ANTISTATIC TAPE -1 : AS SHOWN  
 COVER FILM : ANTISTATIC FILM  
 REEL : PAPER
- ② QUANTITY OF REEL : 5000 EA/REEL
- ③ PEELING FORCE : 10 to 70 gf

FIG.2 REEL DIMENSION

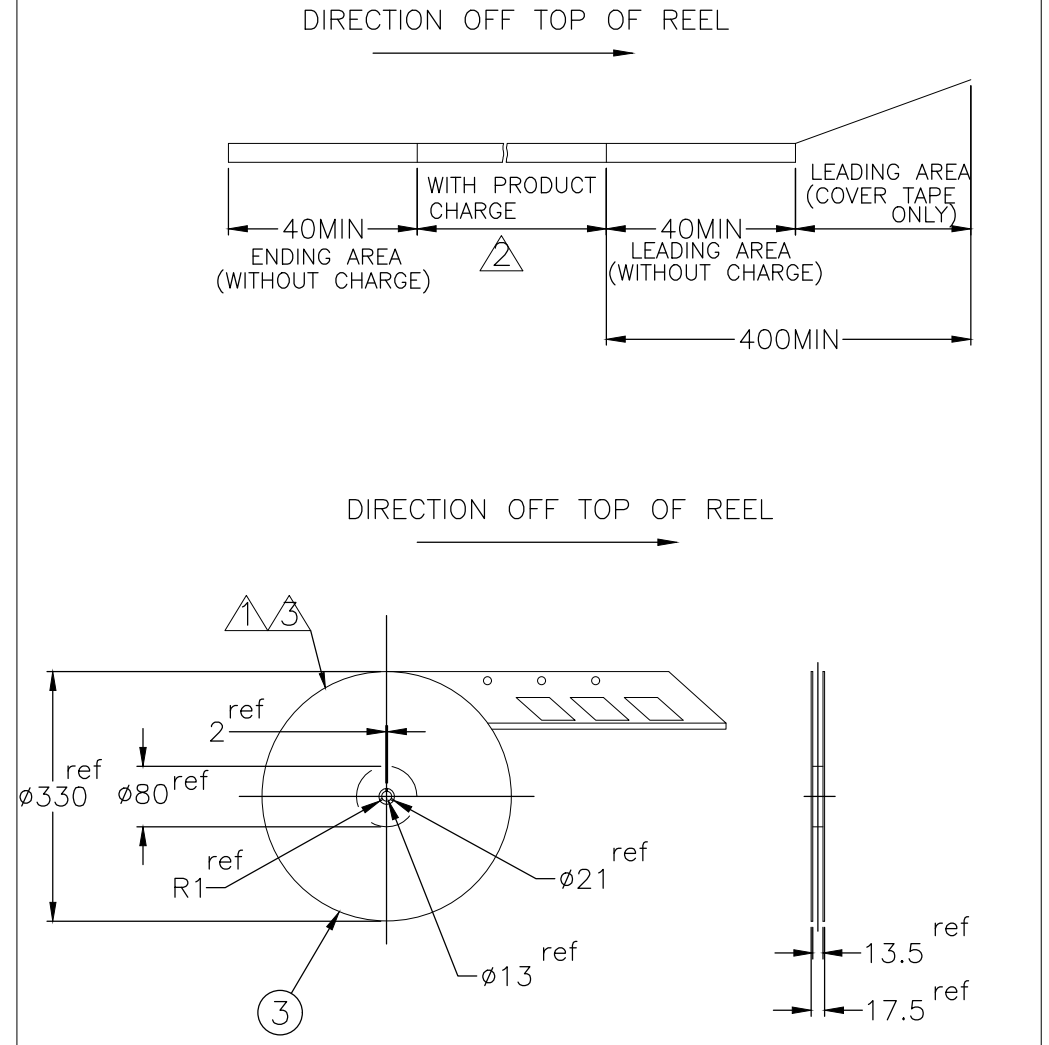
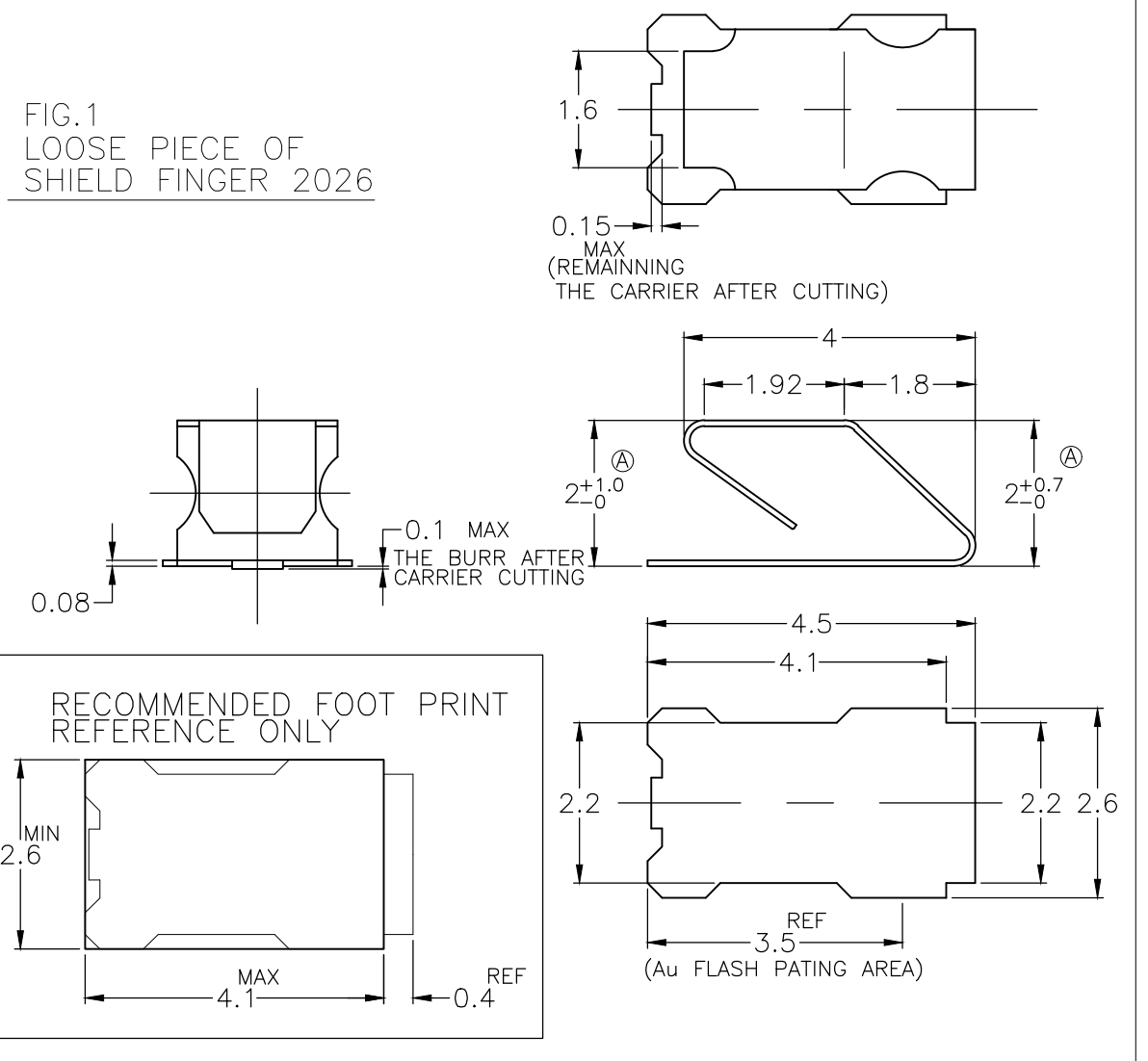


FIG.1 LOOSE PIECE OF SHIELD FINGER 2026



Q'TY	MATERIAL	FINISH	ITEM
1	REEL		③
①	CARRIER TAPE	①	②
-	SHIELD FINGER 2026		①

THIS DRAWING IS A CONTROLLED DOCUMENT.

DIMENSIONS:	TOLERANCES UNLESS OTHERWISE SPECIFIED:
単位: 耗	一般公差
mm	
0 PLC	$\pm 0.5$
1 PLC	$\pm 0.3$
2 PLC	$\pm 0.1$
3 PLC	$\pm -$
4 PLC	$\pm -$
ANGLES	$\pm 3$

DWN	H.TAKASU	12JUN2003
CHK	K.KODAIRA	16JUN03
APVD	K.KODAIRA	16JUN03
PRODUCT SPEC	製品規格	
APPLICATION SPEC	取付適用規格	
WEIGHT	0	



SHIELD FINGER 2026 WITH CONTINUOUS TAPES			
SIZE	CAGE CODE	DRAWING NO	RESTRICTED TO
A3	00779	C-1674954	-

CUSTOMER DRAWING SCALE 1:1 SHEET 1 OF 1 REV A2