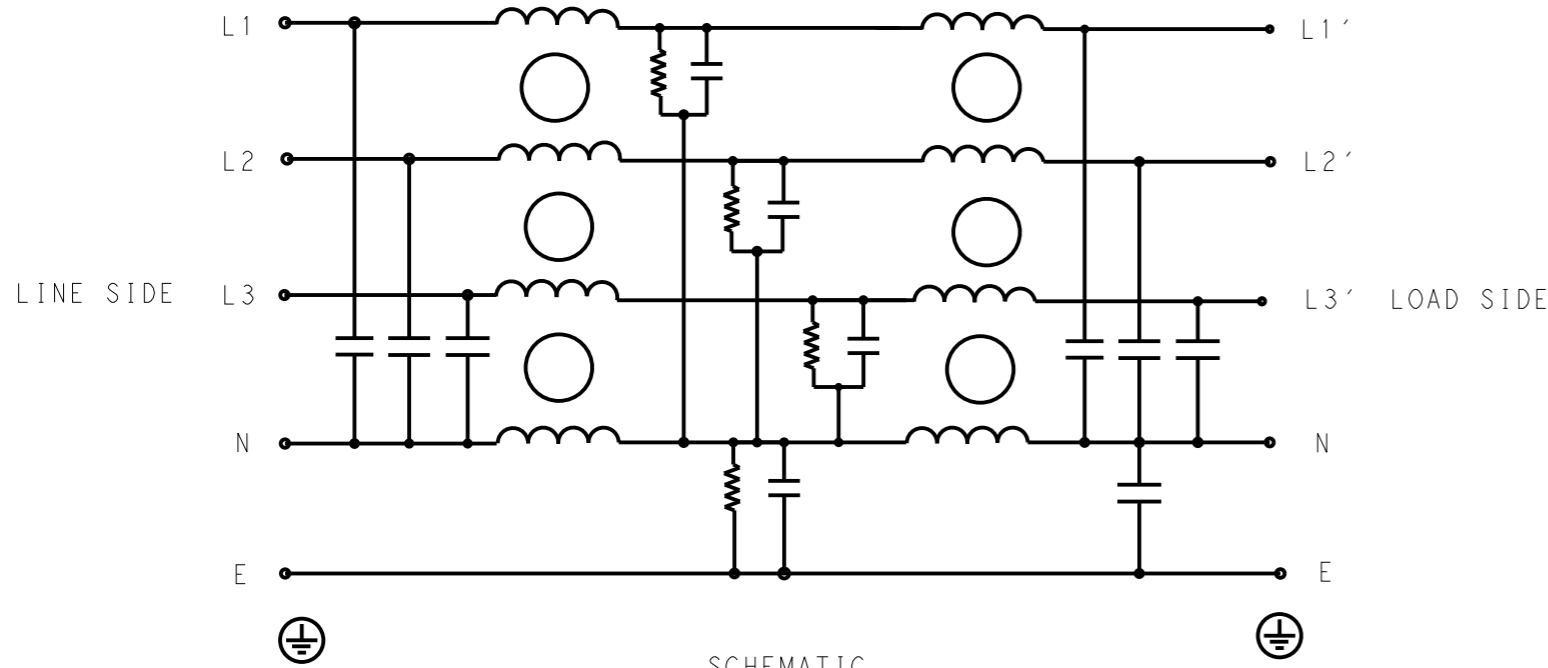


P	LTR	DESCRIPTION	DATE	DWN	APVD
	A	INITIAL RELEASE	20APR2021	SR	CB



SAFETY ORGANIZATIONS

THIS FILTER WILL BE FORMALLY RECOGNIZED, CERTIFIED OR APPROVED BY THE LISTED AGENCY. THEREFORE, ALL TEST/REQUIREMENTS SPECIFIED IN THE LATEST REVISION OF THE FOLLOWING AGENCY STANDARDS WILL BE MET:

UL APPROVED 16A 440V 50Hz/60Hz 50°C
 CSA APPROVED 16A 440V 50Hz/60Hz 50°C

OPERATING SPECIFICATION

LINE CURRENT/VOLTAGE: 16A, 440VAC
 LINE FREQUENCY: 50/60Hz

MAXIMUM LEAKAGE CURRENT: 5mA @ 230VAC, 50Hz

OPERATING AMBIENT TEMPERATURE RANGE @ RATED CURRENT: -10°C TO +50°C

IN AN AMBIENT, T_a, HIGHER THAN 50°C, THE MAXIMUM OPERATING CURRENT, I_o, IS AS FOLLOWS:

$$I_o = I_r \sqrt{\frac{105 - T_a}{55}}$$

RELIABILITY SPECIFICATIONS

STORAGE TEMPERATURE: -40°C TO +85°C
 HUMIDITY: 21 DAYS @ 40°C AND 95% RH

TEST SPECIFICATIONS

INDUCTANCE, NOMINAL: 8mH

CAPACITANCE @ 1kHz

NEUTRAL TO GROUND, NOMINAL: 1µF
 LINE TO NEUTRAL, NOMINAL: 3µF

DISCHARGE RESISTOR

L/L I.R. 2MΩ 1W
 L/N I.R. 1.5MΩ 1W
 L/G I.R. 2MΩ 1W
 N/G I.R. 680KΩ 1W

IR (NO DISCHARGE RESISTOR) 20°C, 50% RH AND 100VDC, MIN: 6MΩ

RECOMMENDED RECEIVING INSPECTION HIPOT

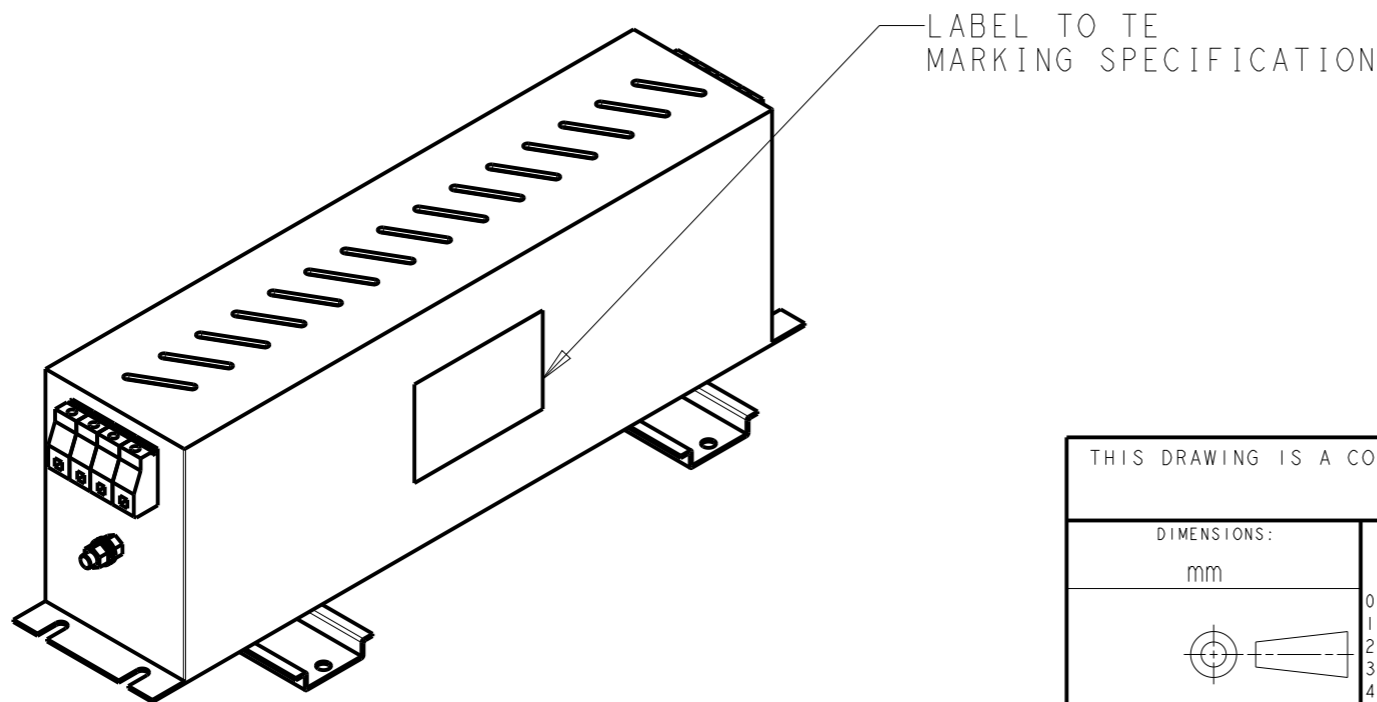
LINE TO GROUND FOR 1 MINUTE: 2632VDC
 LINE TO LINE FOR 1 MINUTE: 1892VDC
 LINE TO NEUTRAL FOR 1 MINUTE: 1093VDC

FILTER APPROVAL

THE BEST WAY TO SELECT AND QUALIFY A FILTER IS FOR YOUR ENGINEERING TO TEST THE UNIT IN YOUR EQUIPMENT.

TYPICAL INSERTION LOSS
 COMMON MODE 50/50Ω; DIFFERENTIAL MODE 50/50Ω

MHz	0.01	0.05	0.15	0.5	1	3	5	10	30
CM	72	70	68	70	74	65	58	46	24
DM	56	50	38	51	52	48	42	28	32



THIS DRAWING IS A CONTROLLED DOCUMENT.		DWN SUPREETH R 20APR2021		
DIMENSIONS: mm		CHK CHRIS BOLLE 20APR2021		
TOLERANCES UNLESS OTHERWISE SPECIFIED:		APVD CHRIS BOLLE 20APR2021	NAME POWER LINE FILTER FOR DIN 35 RAIL INSTALLATION 16KEVD10ABSWVM	
0 PLC ±-		PRODUCT SPEC -	SIZE A3	
1 PLC ±0.5		APPLICATION SPEC -	CAGE CODE 00779	DRAWING NO C-3-1609998-4
2 PLC ±0.40		WEIGHT -	RESTRICTED TO -	
3 PLC ±0.130		CUSTOMER DRAWING	SCALE 2:5	SHEET 1 OF 2
4 PLC ±0.0500				REV A
ANGLES ±-				
MATERIAL -				
FINISH -				

© 2021 TE Connectivity. All Rights Reserved.

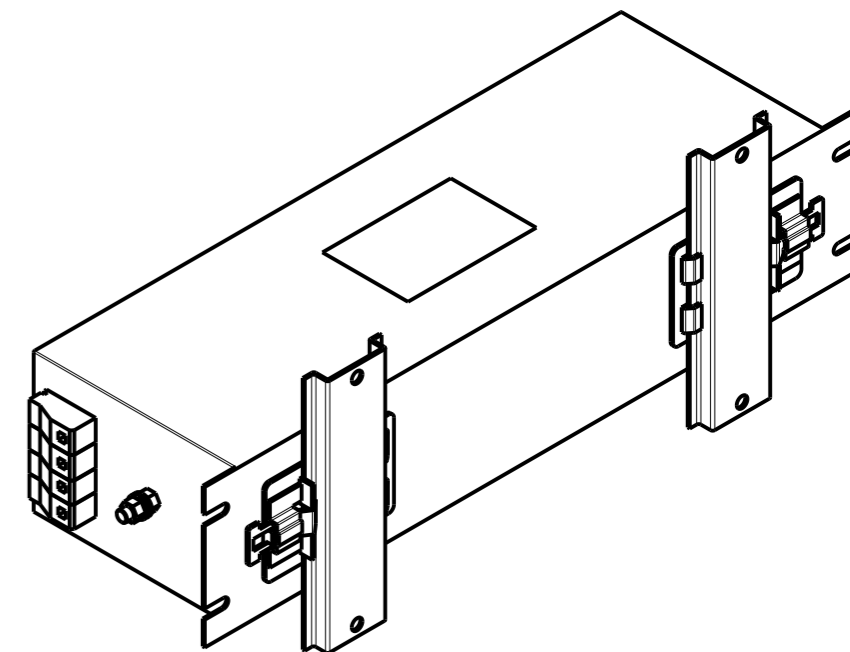
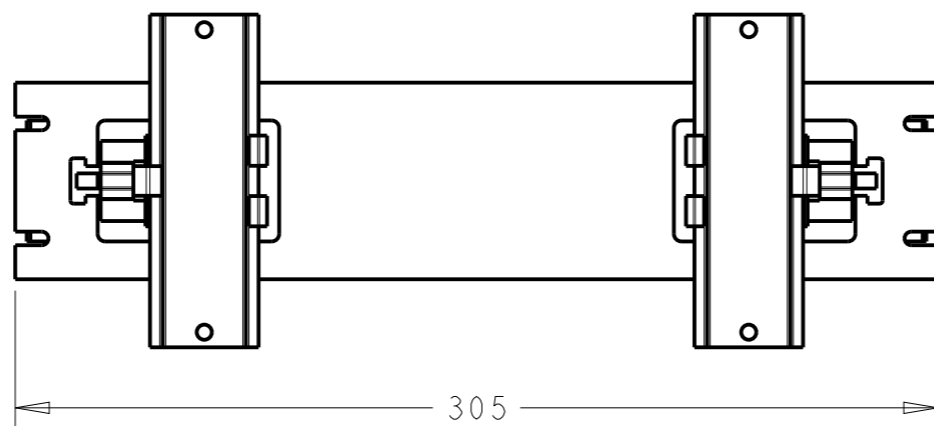
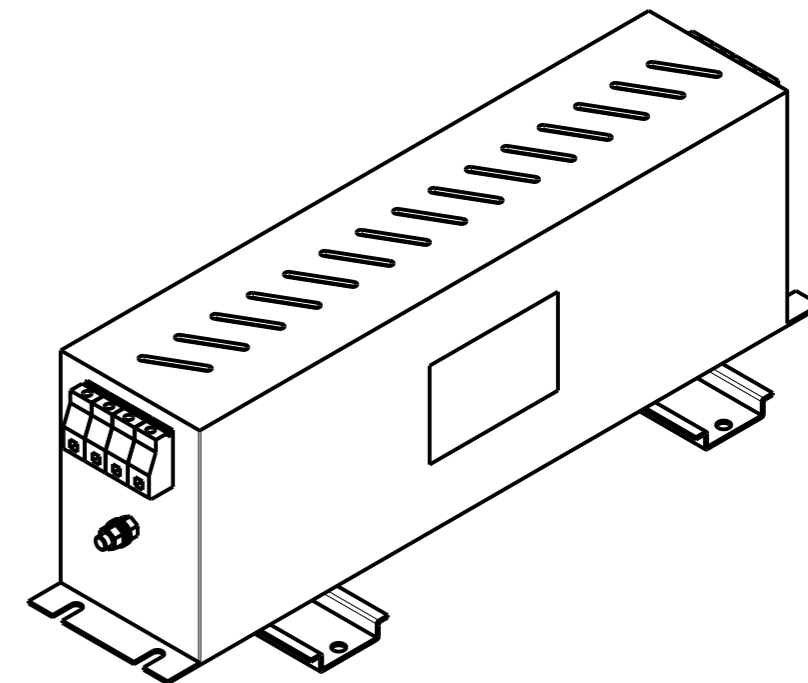
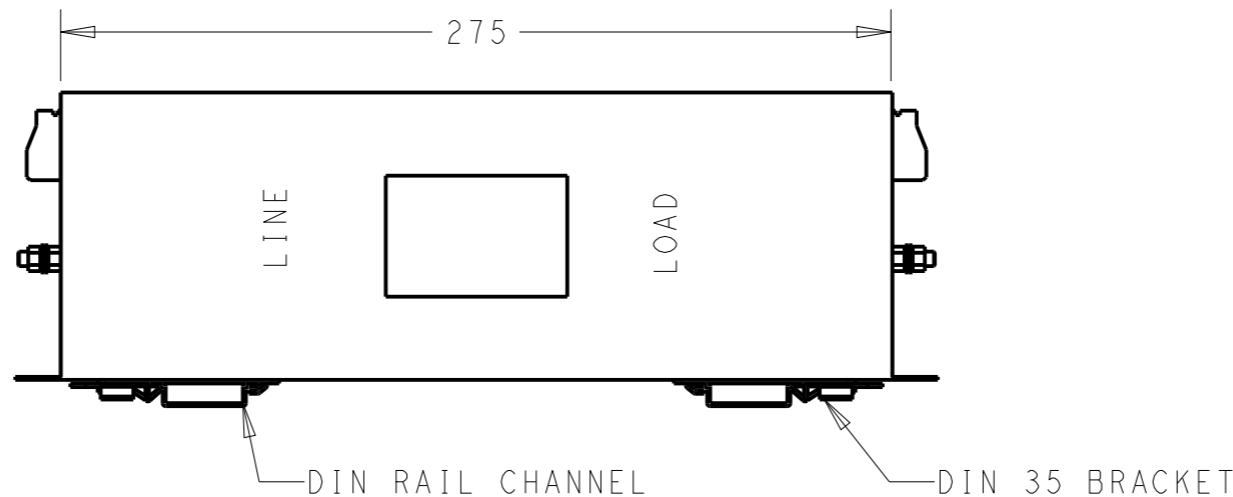
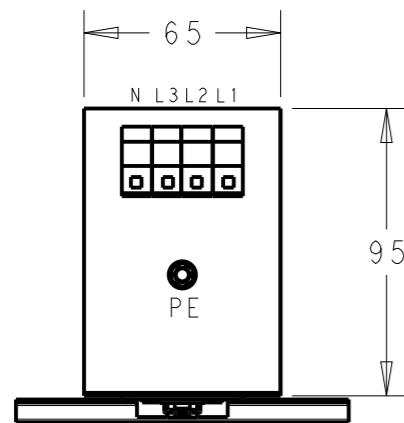
NOTE 1 GROUND CONNECTION:
 FOR ELECTRICAL SAFETY AND FILTER PERFORMANCE
 UNIT MUST HAVE A GOOD GROUND CONNECTION.
 TORQUE OUTER TERMINAL SCREWS: 0.5Nm / 4.5 in.lbs
 TORQUE GROUND NUTS: 2Nm

NOTE 2 INPUT OUTPUT CONNECTION TERMINAL
 AWG SIZE: 26-12 AWG
 WIRE SECTION: 4 mm²
 THREADED BOLT SIZE FOR GROUND: M5

NOTE 3 SUPPLIED WITH DIN RAIL BRACKET.

NOTE 4 DRAWING SHOWS DIN RAIL FOR REFERENCE ONLY.

REVISIONS					
P	LTR	DESCRIPTION	DATE	DWN	APVD
		SEE SHEET 1			



THIS DRAWING IS A CONTROLLED DOCUMENT.		DWN 20APR2021 SUPREETH R		
		CHK 20APR2021 CHRIS BOLLE		
		APVD 20APR2021 CHRIS BOLLE	NAME POWER LINE FILTER FOR DIN 35 RAIL INSTALLATION 16KEVD10ABSWVM	
DIMENSIONS: mm		TOLERANCES UNLESS OTHERWISE SPECIFIED:		SIZE A300779
		0 PLC ±- 1 PLC ±0.5 2 PLC ±0.40 3 PLC ±0.130 4 PLC ±0.0500 ANGLES ±-		CAGE CODE C-3-1609998-4
MATERIAL -		FINISH -		DRAWING NO -
		WEIGHT -		RESTRICTED TO -
		CUSTOMER DRAWING		SCALE 2:5 SHEET 2 OF 2 REV A