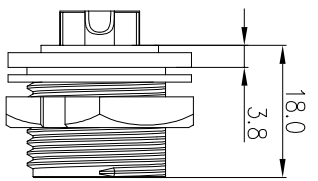
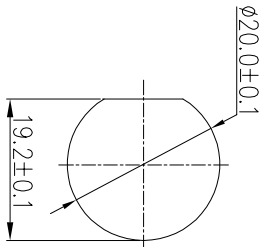
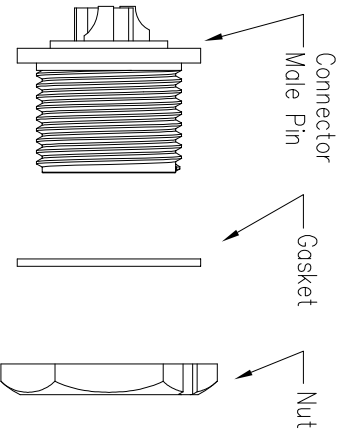
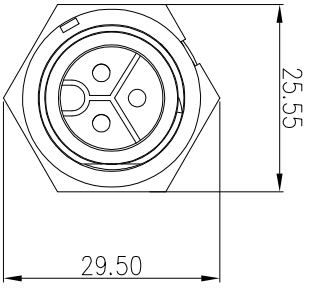
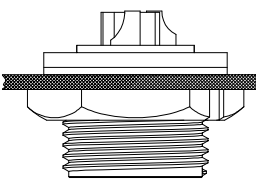


REV.	EN. NO.	DESCRIPTION	SIGN	DATE
C1	N/A	INITIAL DRAWING	Liu	2019/08/13

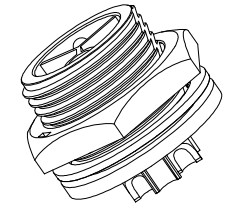


Panel T: Max 3.5

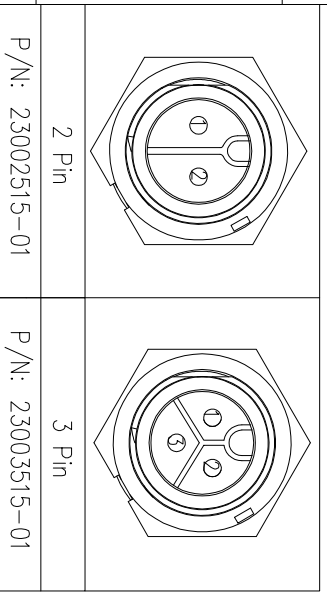


Specification:

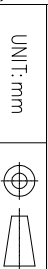
1. Operation Temperature: -45°C~105°C.
2. Insulation Resistance: 100MΩ at DC500V.
3. Contact Resistance: <10mΩ.
4. Withstand Voltage: 2000V AC
5. Operating Current: 20A
6. Operating Voltage: AC 300V
7. Waterproof Rate: IP67 (Mated)
8. Housing: Nylon, Black
9. Male Pin: Copper Alloy, Gold Plated
10. Gasket: Silicon Gray
11. Panel Nut: Nylon, Black
12. Torque Rate: 0.8~1.0N • m
13. RoHS Compliant.
14. UL Compliant.
15. Mating Cop P/N: 806-00021-00



23XXX515-01
Pin Number



P/N: 23002515-01
P/N: 23003515-01
Pin Assignments Front View



UNIT: mm

TOLERANCE	±0.25
.X	±0.15
.XX	±0.05
.XXX	±0.05
ANGLES	±1°

DESCRIPTION
Middle Series Screw Front Mount With Male Pin

SCALE	1:1	SHEET	1	OF	1
REV	C1	SIZE	A4	* : Inspection Item	

CHOGORI

PART NO	23XXX515-01	DRAWN BY	Liu	DATE	2019/08/13
DWG NO		CHECKED BY	Mo	DATE	2019/08/13
CUSTOMER		APPROVED BY	Panson	DATE	2019/08/13