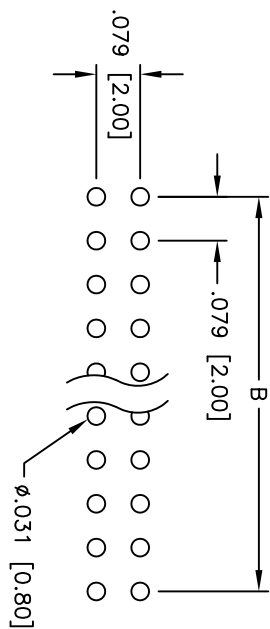
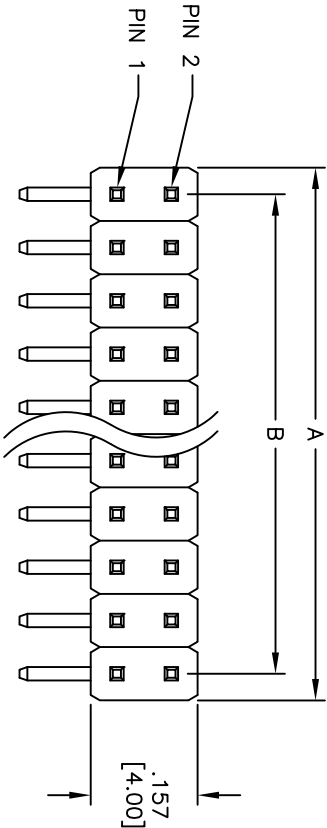
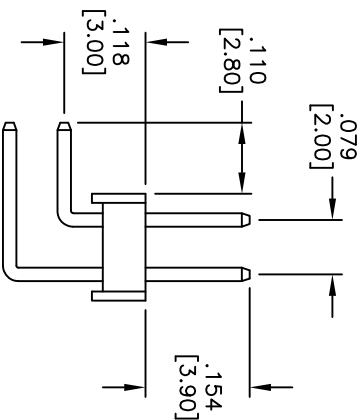
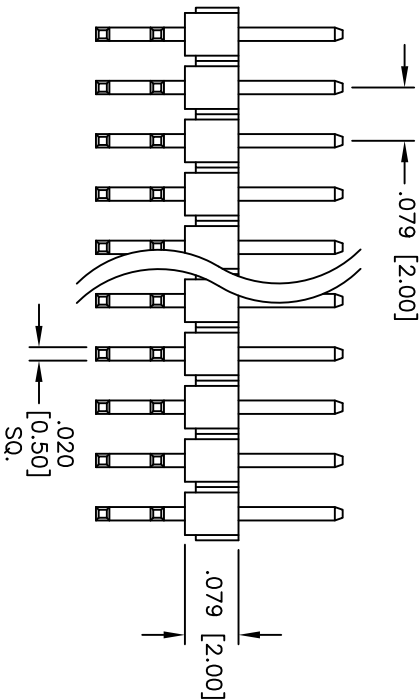


Rev	AWO #	Description	Date	Appr
-		RELEASED	3/31/05	

APPROVED: _____
 DATE: _____ TITLE: _____



RECOMMENDED
PCB LAYOUT



SPECIFICATIONS:
 Material: Insulator: PBT, rated UL 94V-0
 Contacts: Brass
 Plating: Gold flash over Nickel underplate overall

Electrical:
 Current rating: 1 Amp max
 Contact resistance: 20 mohms max
 Insulation resistance: 5,000 Mohms min @ 500 VDC
 Operating temperature: -55°C to +105°C
 Environmental:
 Lead free, RoHS compliant

Positions: 4 thru 80
 A = .079 [2.00] x No. of Positions per Row
 B = .079 [2.00] x No. of Spaces

UNLESS OTHERWISE SPECIFIED
 ALL DIMENSIONS ARE INCHES [MM]
 TOLERANCES: EXCEPT AS NOTED

INCHES	HOLES
.X ± .10	ØXX ± .10
.XX ± .020	ØXXX ± .015
.XXX ± .015	ØXXXX ± .010

APPROVALS: _____ DATE: _____

DRAWN	SS	3/31/05
CHECKED		
APPROVED		

ADAM TECH

909 Railway Avenue, Union, NJ 07083
 Phone: 908-687-5000 Fax: 908-687-5710

TITLE: .079 [2.00] DUAL ROW PIN HEADER
 RIGHT ANGLE, GOLD PLATED

SIZE	PART NO.	REV.
X	2PH2R-XX-UA	-
REF:	SCALE: NTS	SHEET 1 OF 1