

**PLEASE CHECK WWW.MOLEX.COM FOR LATEST PART INFORMATION**

**Part Number:** [0350689722](#)  
**Status:** **Active**  
**Overview:** Standard Quick-Disconnect Terminals  
**Description:** MP-Lock Quick Disconnect, Female, for 20-22 AWG (0.52-0.33mm<sup>2</sup>), Metal Strip, Tab 4.75 x 0.80mm, Pre-Tin Plated

**Documents:**

[Drawing \(PDF\)](#) [Packaging Specification PK-35068-001-001 \(PDF\)](#)  
[Product Specification PS-35189-001-001 \(PDF\)](#) [RoHS Certificate of Compliance \(PDF\)](#)  
[Product Specification PS-35189-002-001 \(PDF\)](#)

**Agency Certification**

UL E92853

**General**

Product Family Quick Disconnects  
 Series [35068](#)  
 Crimp Quality Equipment Yes  
 Insulated No  
 Overview [Standard Quick-Disconnect Terminals](#)  
 Product Name MP-Lock  
 Type Quick Disconnect  
 UPC 800753968448

**Physical**

Barrel Type Open  
 Gender Female  
 Glow-Wire Capable No  
 Insulation None  
 Lock to Mating Part Yes  
 Material - Metal Brass  
 Material - Plating Mating Tin  
 Material - Plating Termination Tin  
 Net Weight 0.373/g  
 Orientation Straight  
 Packaging Type Reel  
 Plating min - Mating 0.813µm  
 Plating min - Termination 0.813µm  
 Polarized to Mating Part Yes  
 Tab Thickness 0.81mm  
 Tab Width 4.75mm  
 Temperature Range - Operating -40° to +105°C  
 Termination Interface: Style Crimp or Compression  
 Wire Insulation Diameter 2.70mm max.  
 Wire Size AWG 20, 22

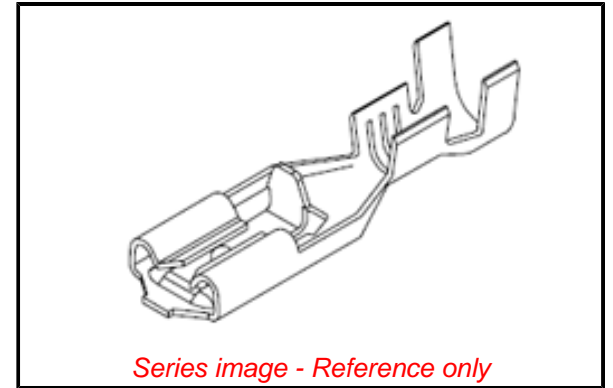
**Electrical**

Voltage - Maximum 300V

**Material Info**

**Reference - Drawing Numbers**

Packaging Specification PK-35068-001-001  
 Product Specification PS-35189-001-001, PS-35189-002-001  
 Sales Drawing SD-35068-9722



Series image - Reference only

**EU ELV**

**Not Relevant**

**EU RoHS**

**Compliant**

**REACH SVHC**

Not Contained Per - ED/71/2019 (16 July 2019)

**Halogen-Free**

**Status**

**Low-Halogen**

For more information, please visit [Contact US](#)

China ROHS

ELV

RoHS Phthalates

**China RoHS**

Green Image

Not Relevant

Not Contained

**Search Parts in this Series**

[35068 Series](#)

**Use With**

[35189](#) , [35817](#) , [35961](#)

**Application Tooling | FAQ**

*Tooling specifications and manuals are found by selecting the products below. Crimp Height Specifications are then contained in the Application Tooling Specification document.*

**Global**

**Description**

**Product #**

Mini-Mac Applicator for MP-Lock™ Quick Disconnect Terminals, Female, 20-22 AWG [638019000](#)

This document was generated on 09/19/2019

**PLEASE CHECK [WWW.MOLEX.COM](http://WWW.MOLEX.COM) FOR LATEST PART INFORMATION**