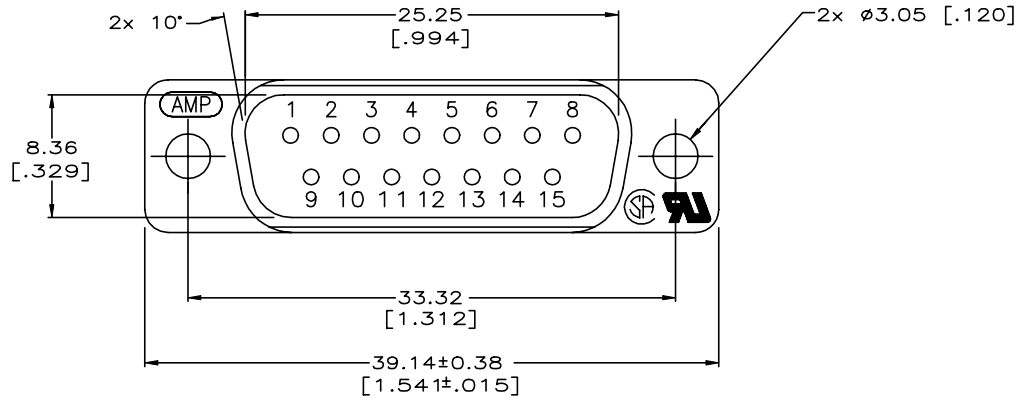
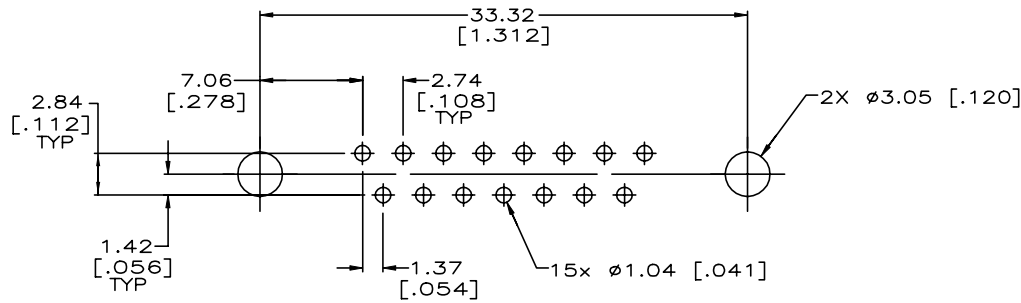
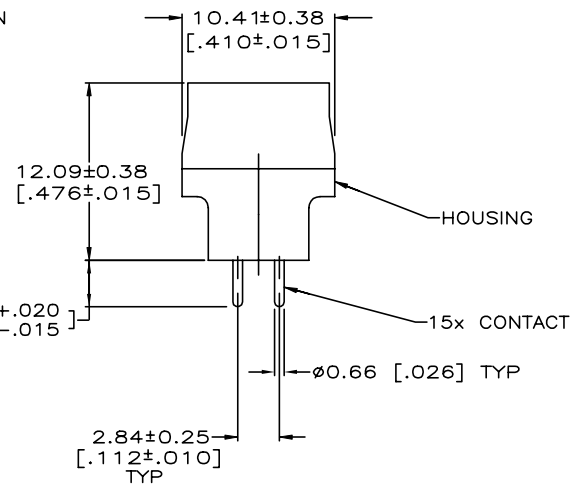
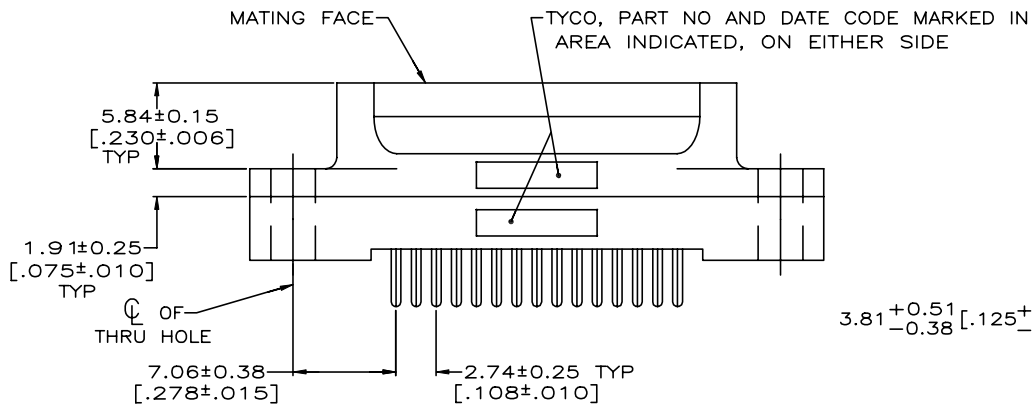


REVISIONS					
P	LR	DESCRIPTION	DATE	DM	APD
A1		ECO-20-002074	13FEB2020	RR	SH



- 1 HOUSING: BLACK POLYESTER, UL 94V-0 RATED; CONTACTS: BRASS
- 2 GOLD PLATED FOR LENGTH OF 3.81[.150] MIN FROM MATING END, 0.76µm [.000030] MIN GOLD IN MATED AREA, 2.54µm [.000100] MIN TIN ON SOLDER END, BOTH OVER 1.27µm [.000050] MIN NICKEL.
OR
GOLD FLASH OVER PALLADIUM NICKEL PLATED FOR LENGTH OF 3.81 [.150] MIN FROM MATING END, 0.76µm [.000030] MIN PALLADIUM NICKEL IN MATED AREA, 2.54µm [.000100] MIN TIN ON SOLDER END, BOTH OVER 1.27µm [.000050] MIN NICKEL.
- 3 SINGLE PACKED ONE PER VIAL 110123-2



RECOMMENDED PC BOARD MOUNTING DIMENSIONS

3	2	5208007-3
	2	5208007-2
	CONTACT FINISH	PART NO

THIS DRAWING IS A CONTROLLED DOCUMENT.		DM: G.PETERS 12SEP05	TE Connectivity	
DIMENSIONS: mm [INCHES]		CHK: S.BOLASH 12SEP05	APD: M.WALMSLEY 12SEP05	
TOLERANCES UNLESS OTHERWISE SPECIFIED:		NAME: PLUG ASSEMBLY, SIZE 2, 15 POSN, VERTICAL, AMPLIMITE HD-20		
0 PLC ± -	1 PLC ± -	PRODUCT SPEC: 108-40025	SIZE: A2	CAGE CODE: 00779
2 PLC ± 0.13 [005]	3 PLC ± -	APPLICATION SPEC: -	DRAWING NO: C=5208007	RESTRICTED TO: -
4 PLC ± -	ANGLES ± 7	WEIGHT: 0.000000	SCALE: 4:1	SHEET: 1 of 1
MATERIAL: 1	FINISH: 2	CUSTOMER DRAWING	REV: A1	