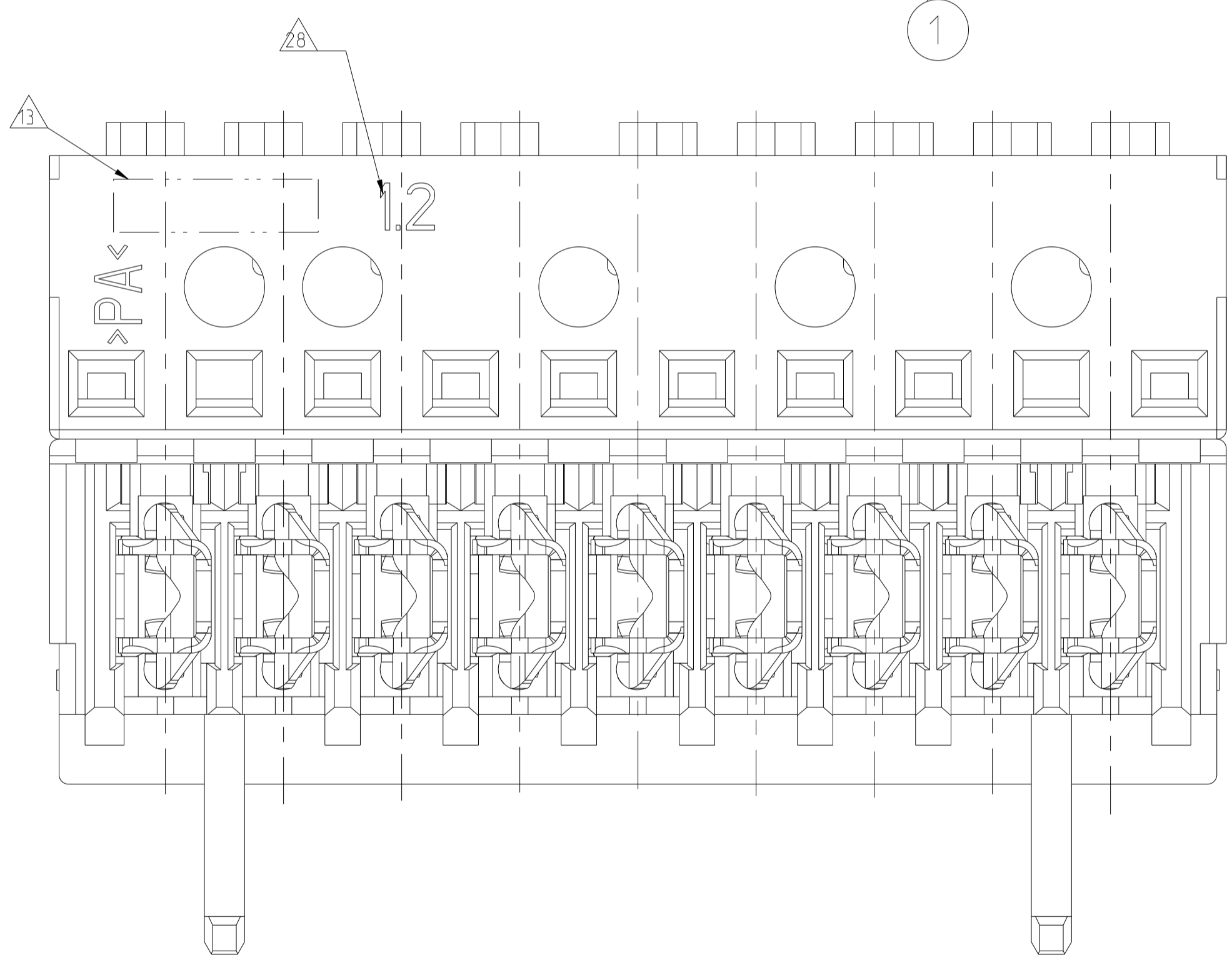
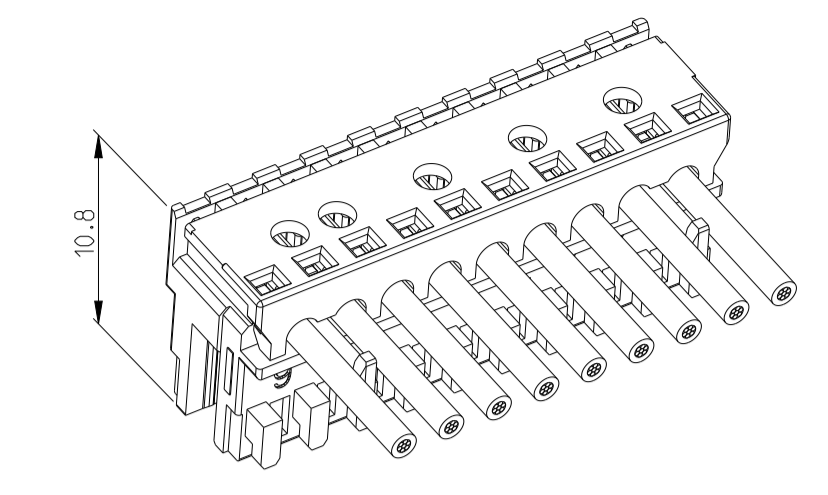
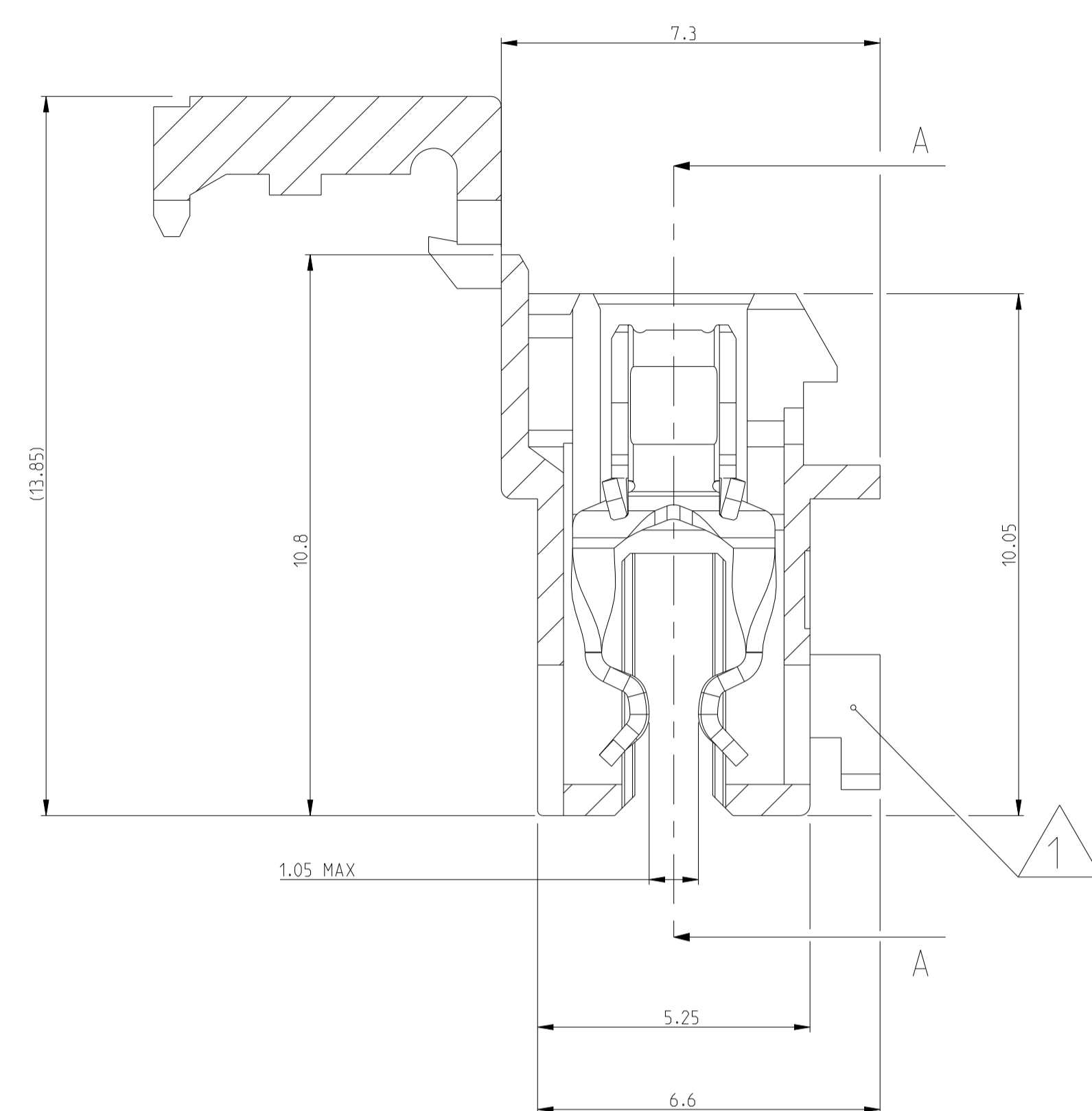
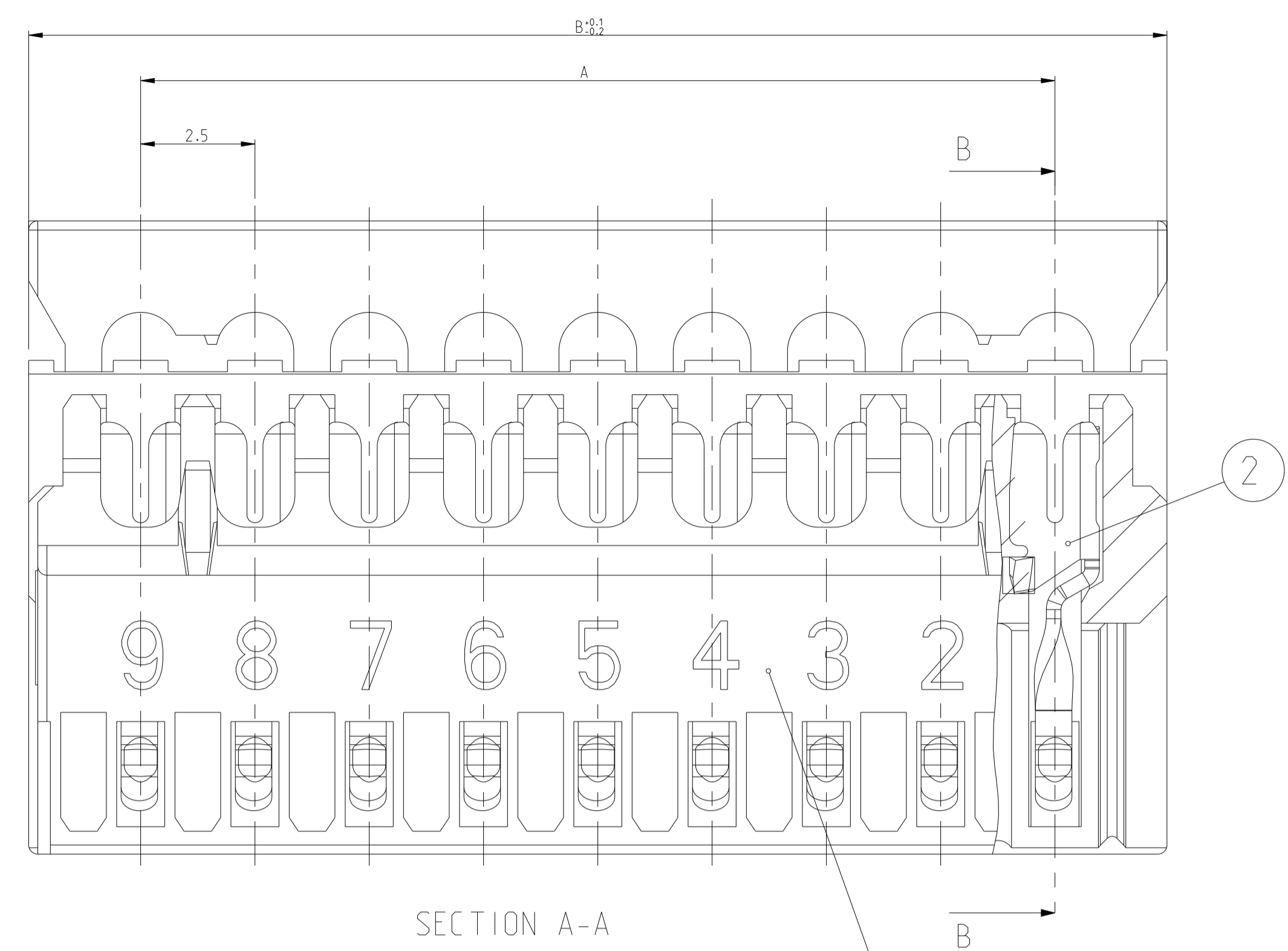
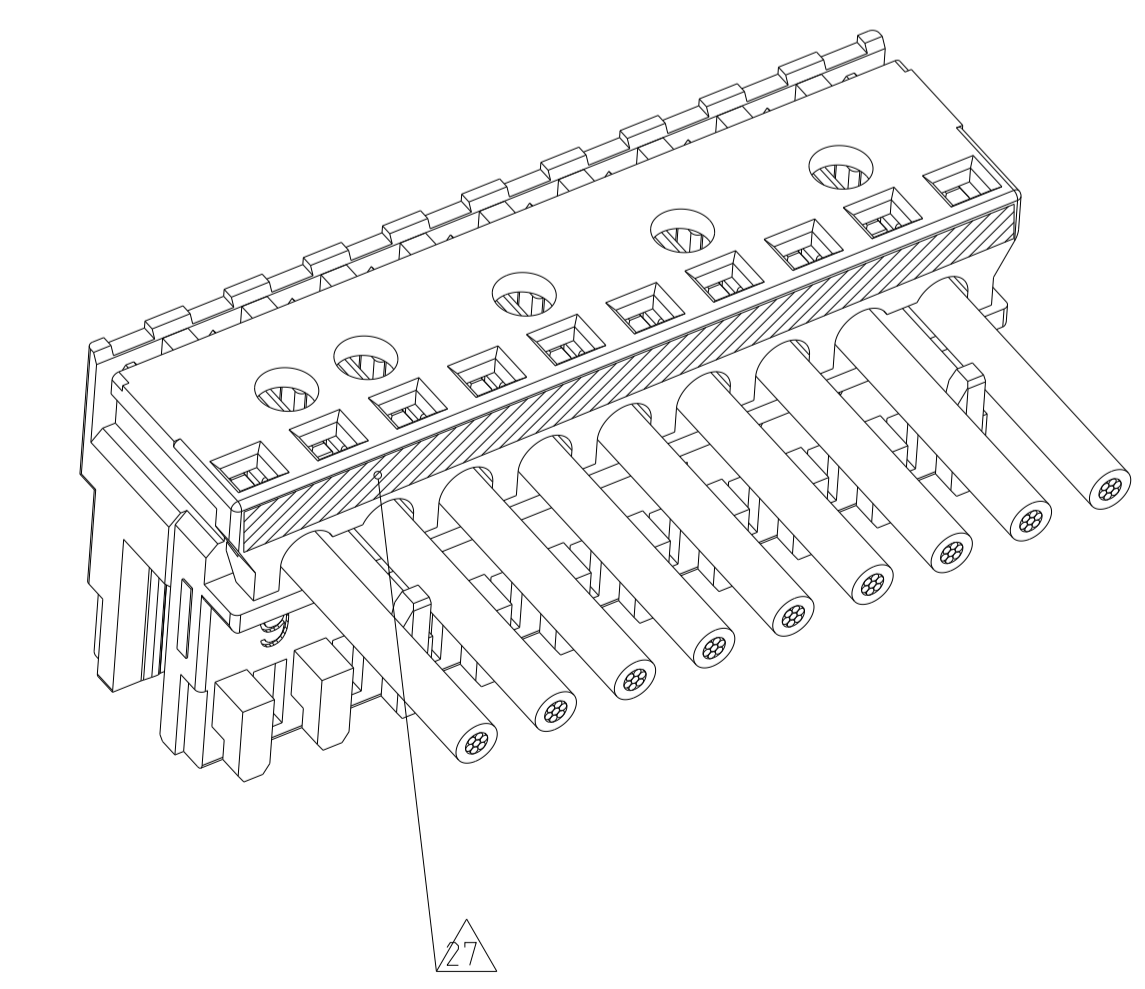


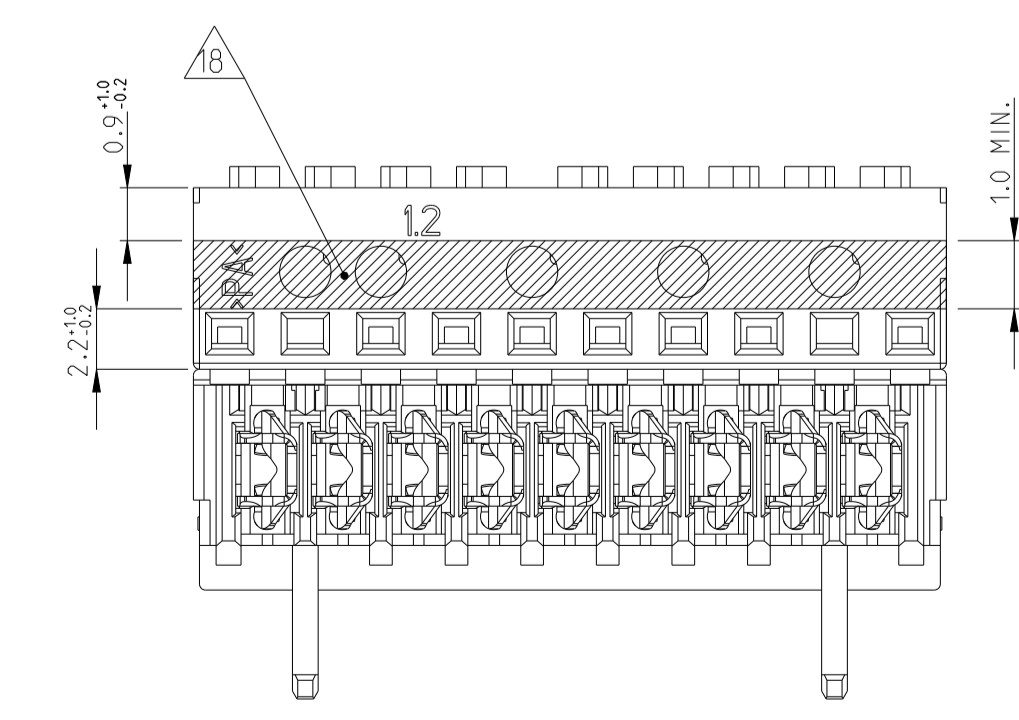
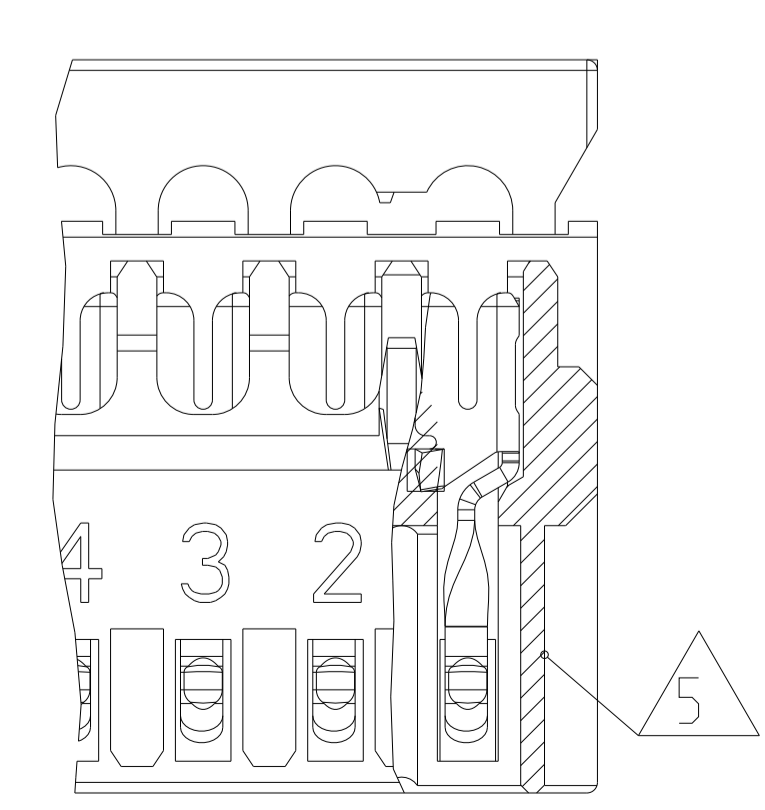
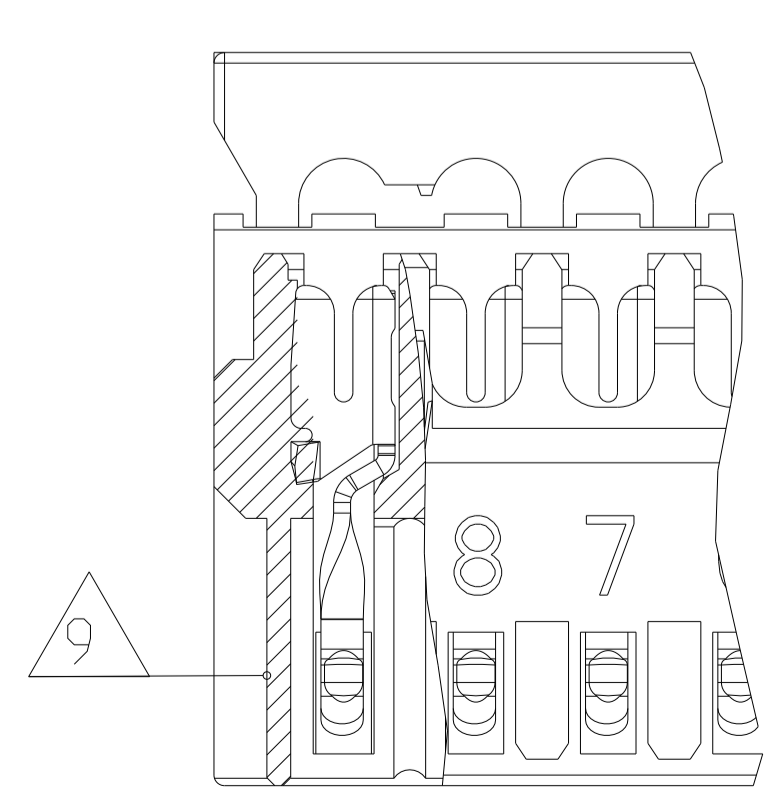
LOC	DIST	REVISIONS					
		P	LTN	DESCRIPTION	DATE	DWN	APVD
A1	-	D76	ECR-22-162132		17JAN2023	DC	FL
		D77	ECR-23-166801		08MAR2023	DC	FL
		D78	ECR-22-154280		10MAR2023	SM	FL
		D79	ECR-23-171221		12APR2023	DC	FL



SECTION B-B



- 29 P/N RELEASED WITH PARTIAL VALIDATION AND CERTIFICATION
- 28 CAVITY ID STARTS WITH LETTER FOR PARTS PRODUCTION IN QINGDAO PLANT. SUCH AS "A1.1"
- 27 STRIPE IN YELLOW COLOR WHERE SHOWN. PRESENT ON THE PARTS PRODUCED IN TE COLLEGNO ONLY
- 26 DIMENSION AVAILABLE ONLY FOR PART X-2304525-X, X-2304526-X.
- 25 WITH SPECIAL CHAIN FEATURE
- 24 SIDE KEYING ON LAST CAVITY. THICK-1.5mm
- 23 -
- 19 SIDE KEYING. THICK. ON CAVITY No.1
- 18 COLOR STRIP ON COVER OF HOUSING. NOT THE COLOR OF HOUSING.
- 17 SLOT FOR KEYING. SLIM. BETWEEN POSITION
- 16 SLOT FOR KEYING. THICK. BETWEEN POSITION
- 15 KEYING. THICK. BETWEEN POSITION
- 14 COLOR CODE
- 13 TE LOGO
- 12 PRELIMINARY PART NOT RELEASED FOR PRODUCTION
- 11 KEYING. SLIM. BETWEEN POSITION
- 10 SLOT FOR SIDE KEYING. ON LAST CAVITY
- 9 SIDE KEYING. SLIM. ON LAST CAVITY
- 8 INCLUSIVE COPPER LOADING
- 7 PCB PREFERABLY CHAMFERED
- 6 SLOT FOR SIDE KEYING. ON CAVITY NO 1
- 5 SIDE KEYING. ON CAVITY NO. 1
- 4 WIRE RANGE: 0.22-0.35mm² SEE APPLICATION SPEC. 114-18467
- 3 IEC 60695-2-11 / IEC 60335-1 GLOW WIRE TEST 750 °C WITHOUT FLAME
- 2 MATING PART: PCB (WITH FRAMES ACC. RAST 2.5 E.G. PN 964 575/576) TAB HEADER (FOR EXAMPLE: X-1971817/818-Y)
- 1 KEYING RIBS; CUTTING WITH TERMINATION MACHINE POSSIBLE



THIS DRAWING IS A CONTROLLED DOCUMENT.		OWN: H. Karabiyik 24MAY2002	TE Connectivity
DIMENSIONS: mm		CHK: B. Schnaubelt 24MAY2002	
TOLERANCES UNLESS OTHERWISE SPECIFIED:		APVD: T. Klenner 24MAY2002	NAME: AMP DUOPLUG 2.5 MARK II FEMALE CONNECTOR 2-20 POSITION
0 PLC	±0.2	PRODUCT SPEC	SIZE: 114-18467
1 PLC	±0.2	APPLICATION SPEC	SCALE: 10:1
2 PLC	±0.2	WEIGHT	SHEET 1 OF 4
3 PLC	±0.2	Customer Drawing	REV: D79
4 PLC	±0.2		
ANGLES	±0.1°		
FINISH	±0.1		

LOC	DIST	REVISIONS					
		P	LTN	DESCRIPTION	DATE	DWN	APVD
A1	-			SEE SHEET 1			

GWEPT 750°C NO FLAME & UL94-V2, TIN PLATED VERSION (2-9 POSITION)									
	9	20	24.9				2/3		5-1534796-9
	9	20	24.9				4/5		2-1534796-9 ¹²
	9	20	24.9						3-1534796-9
	9	20	24.9		X		3/4		4-1534796-9 ¹²
Brown	8	17.5	22.4			2/3			9-1534796-8
	8	17.5	22.4		X		3/4		8-1534796-8
	8	17.5	22.4				3/4	X	7-1534796-8
	8	17.5	22.4				3/4		6-1534796-8
	8	17.5	22.4					X	5-1534796-8
	8	17.5	22.4						3-1534796-8
	8	17.5	22.4				5/6		2-1534796-8
	7	15	19.9			2/3			7-1534796-7
BLUE	7	15	19.9				2/3		6-1534796-7
BLUE	7	15	19.9	X			2/3		4-1534796-7 ¹²
	7	15	19.9				5/6		5-1534796-7 ¹²
	7	15	19.9						3-1534796-7
	6	12.5	17.4				2/3	X	9-1534796-6
	6	12.5	17.4				1/2		8-1534796-6 ¹²
	6	12.5	17.4				3/4		7-1534796-6
	6	12.5	17.4				2/3		6-1534796-6
BLUE	6	12.5	17.4			4/5			2-1534796-6
	6	12.5	17.4				4/5		5-1534796-6
	6	12.5	17.4					X	4-1534796-6
	6	12.5	17.4						3-1534796-6
RED	5	10	14.9				4/5		8-1534796-5
	5	10	14.9			1/2			9-1534796-5
	5	10	14.9				1/2		4-1534796-5 ¹²
GREEN	5	10	14.9				3/4		7-1534796-5
BROWN	5	10	14.9				2/3		6-1534796-5
	5	10	14.9					X	5-1534796-5 ¹²
	5	10	14.9						3-1534796-5
BROWN	5	10	14.9				1/2		0-1534796-5 ¹²
GREEN	4	7.5	12.4					X	1-2825353-4
	4	7.5	12.4					X	0-2825353-4 ¹²
RED	4	7.5	12.4						9-1534796-4
BLACK	4	7.5	12.4				2/3		8-1534796-4
BLACK	4	7.5	12.4		X		2/3		2-1534796-4 ¹²
BLACK	4	7.5	12.4				3/4		5-1534796-4
	4	7.5	12.4				1/2		6-1534796-4
	4	7.5	12.4	X			1/2		1534796-4
	4	7.5	12.4						7-1534796-4 ¹²
	4	7.5	12.4					X	4-1534796-4 ¹²
	4	7.5	12.4						3-1534796-4
RED	3	5	9.9				2/3		2-1534796-3
	3	5	9.9					X	8-1534796-3
RED	3	5	9.9						9-1534796-3 ¹²
	3	5	9.9				2/3		6-1534796-3
	3	5	9.9				1/2		7-1534796-3
BLACK	3	5	9.9						5-1534796-3
	3	5	9.9				2/3	X	4-1534796-3 ¹²
	3	5	9.9						3-1534796-3
	2	2.5	7.4				1/2		1-1534796-2
	2	2.5	7.4						1534796-2

GWEPT 750°C NO FLAME & UL94-V2, TIN PLATED VERSION (10-20 POSITION)										
	20	47.5	52.4			X		3/4		4-1534797-0
	20	47.5	52.4							3-1534797-0 ¹²
	19	45	49.9							5-1534797-9 ¹²
	19	45	49.9							4-1534797-9 ¹²
	19	45	49.9							3-1534797-9
	18	42.5	47.4	X	X					4-1534797-8
	17	40	44.9	X	X					4-1534797-7
	17	40	44.9					10/11		1534797-7
	16	37.5	42.4							3-1534797-6 obsolete
	15	35	39.9	X	X					4-1534797-5
	15	35	39.9							3-1534797-5 obsolete
	14	32.5	37.4							3-1534797-4
	13	30	34.9	X	X					4-1534797-3 ¹²
	13	30	34.9							3-1534797-3
	12	27.5	32.4					11/12		5-1534797-2
	12	27.5	32.4						X	4-1534797-2
	12	27.5	32.4							3-1534797-2
	12	27.5	32.4	X	X			10/11 2/3		2-1534797-2
	11	25	29.9					5/6		7-1534797-1
	11	25	29.9					10/11		6-1534797-1 ¹²
	11	25	29.9					10/11	X	5-1534797-1 ¹²
	11	25	29.9					9/10		4-1534797-1
	11	25	29.9							3-1534797-1
	10	22.5	27.4					2/3		6-1534796-0
	10	22.5	27.4					8/9		4-1534796-0 ¹²
	10	22.5	27.4							3-1534796-0
	10	22.5	27.4					7/8		7-1534796-0

COLOR CODE ¹⁴	POS.	DIM A	DIM B	²⁴ KEYING	¹⁹ KEYING	¹⁵ KEYING	¹¹ KEYING	⁹ KEYING	⁵ KEYING	TE P/N ²⁰
2	SEE TABLE			CONTACT		CuSn		TINNED		
1	SEE TABLE			HOUSING		HIGH TEMP PLASTIC ³		NATUR		
SL NO	PN	DESCRIPTION		MATERIAL		COLOUR/FINISH				

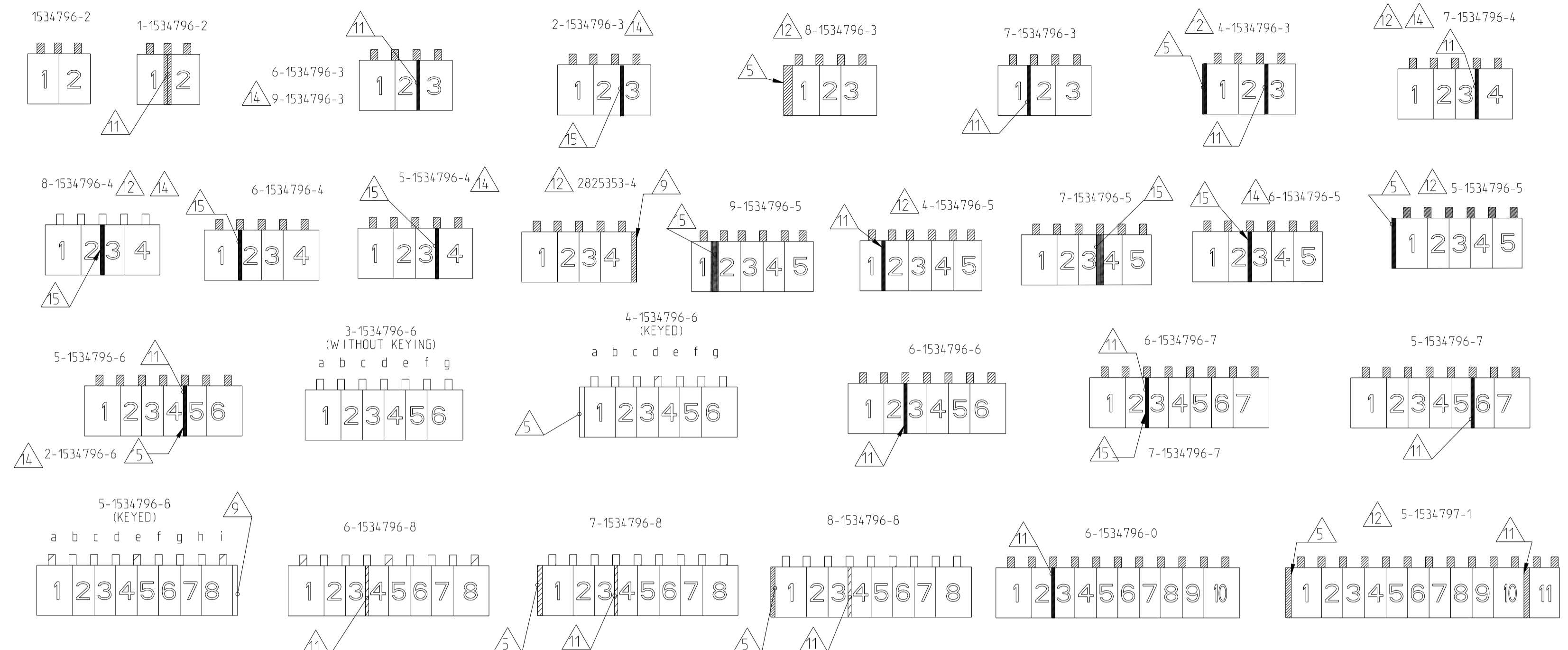
COLOR CODE ¹⁴	POS.	DIM A	DIM B	²⁴ KEYING	¹⁹ KEYING	¹⁵ KEYING	¹¹ KEYING	⁹ KEYING	⁵ KEYING	TE P/N ²⁰
2	SEE TABLE			CONTACT		CuSn		TINNED		
1	SEE TABLE			HOUSING		HIGH TEMP PLASTIC ³		NATUR		
SL NO	PN	DESCRIPTION		MATERIAL		COLOUR/FINISH				

THIS DRAWING IS A CONTROLLED DOCUMENT.

DWN: H. Karabiyik	24MAY2002		AMP DUOPLUG 2.5 MARK II FEMALE CONNECTOR 2-20 POSITION
CHK: B. Schnaubelt	24MAY2002		
APVD: T. Klenner	24MAY2002		
NAME: AMP DUOPLUG 2.5 MARK II FEMALE CONNECTOR 2-20 POSITION			
DIMENSIONS: mm	TOLERANCES UNLESS OTHERWISE SPECIFIED:	SIZE: 108-18785	RESTRICTED TO:
0 PLC ±0.2	1 PLC ±0.2	APPLICATION SPEC: 114-18667	
2 PLC ±0.2	3 PLC ±0.2	WEIGHT: -	
4 PLC ±0.2	ANGLES ±1°	SCALE: 10:1	
MATERIAL: -	FINISH: -	DRAWING NO: 1534796	SHEET 2 OF 4
Customer Drawing		REVISION: -	REV: 79

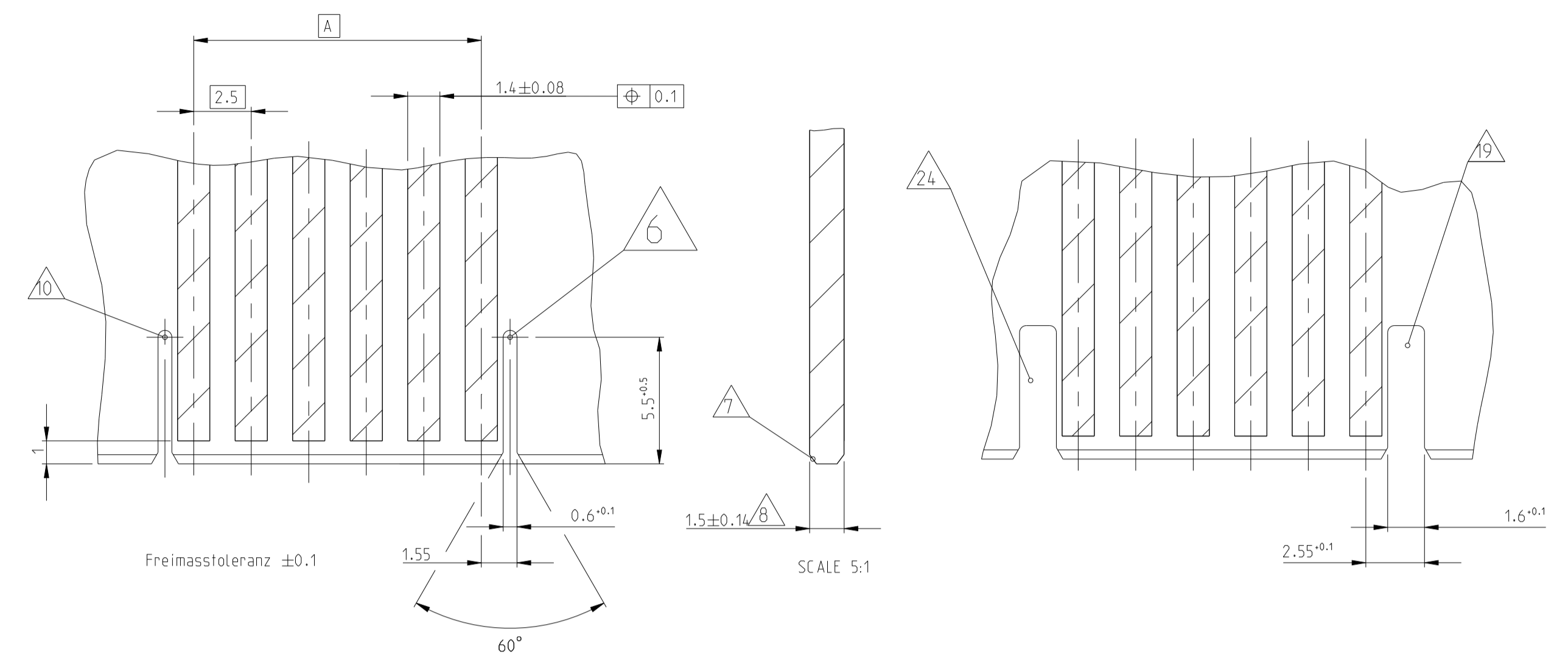
LOC		DIST		REVISIONS			
A1		-		REV	DATE	BY	APPV
				1	SEE SHEET 1	-	-

KEYING PLAN (EXAMPLES)
 Kodierschema (Beispiele)

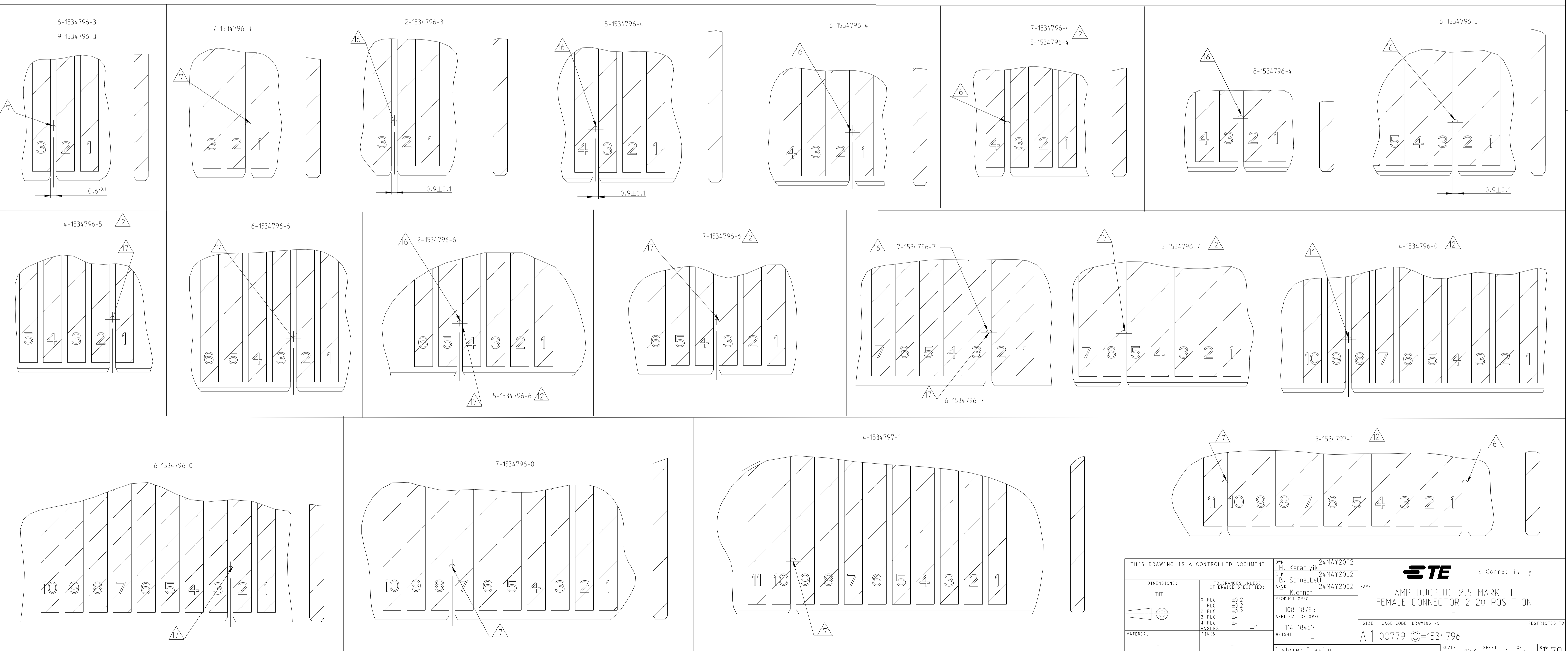


PCB LAYOUT KEYED / CONNECTED ONLY WITH ADDITIONAL FRAME

Leiterplattenanschluss kodiert / nur in Verbindung mit zusätzlichem Rahmen



PCB LAYOUT FOR KEYING BETWEEN POSITION



THIS DRAWING IS A CONTROLLED DOCUMENT.		OWN: H. Karabiyik 24MAY2002	TE Connectivity NAME: AMP DUOPLUG 2.5 MARK II FEMALE CONNECTOR 2-20 POSITION SIZE: CAGE CODE DRAWING NO: 114-18467 WEIGHT: - Customer Drawing
DIMENSIONS: mm		CHK: B. Schnaubelt 24MAY2002	
TOLERANCES UNLESS OTHERWISE SPECIFIED: 0 PLC ±0.2 1 PLC ±0.2 2 PLC ±0.2 3 PLC ±0.2 4 PLC ±0.2 ANGLES ±° FINISH -		PRODUCT SPEC: 108-18785 APPLICATION SPEC: 114-18467 SCALE: 10:1	SHEET 3 OF 4 REV 079

