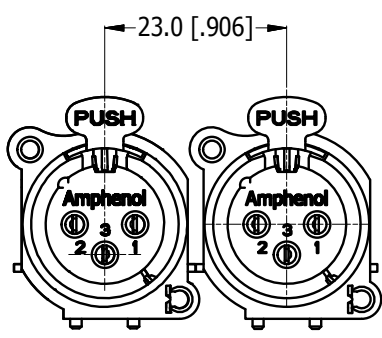
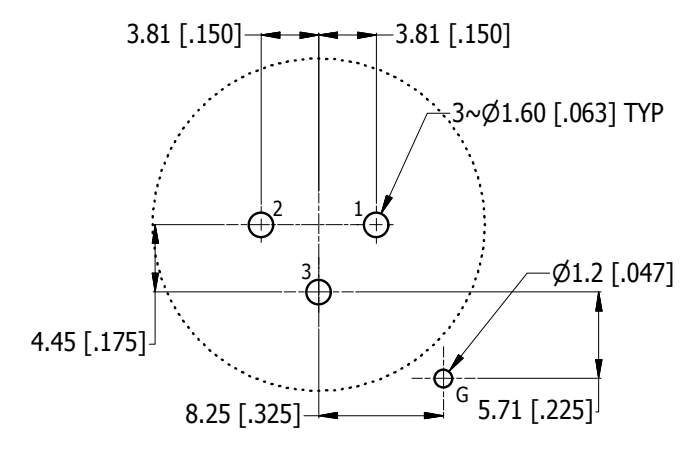
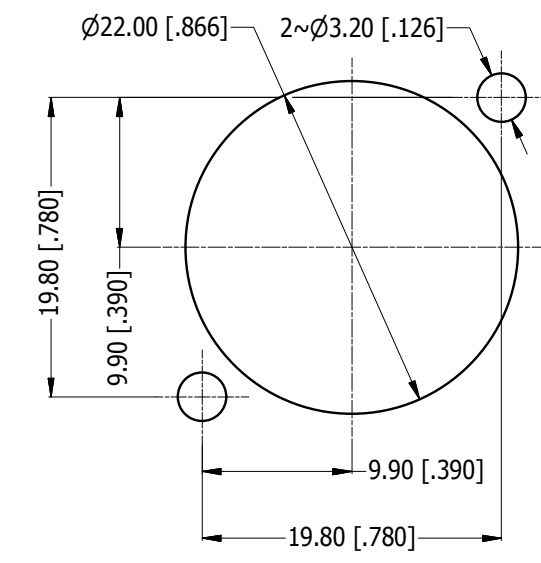
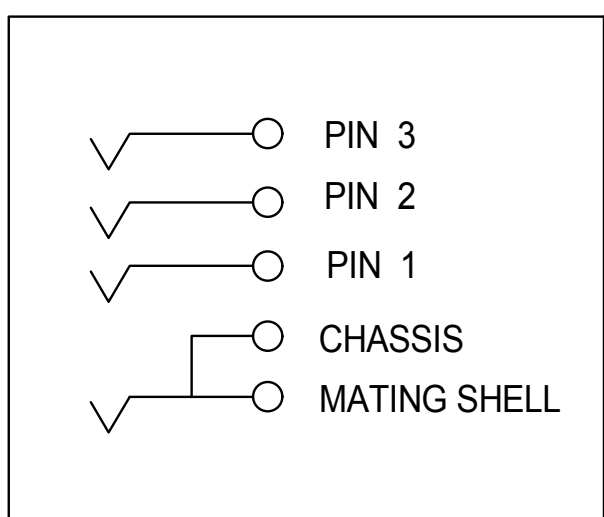
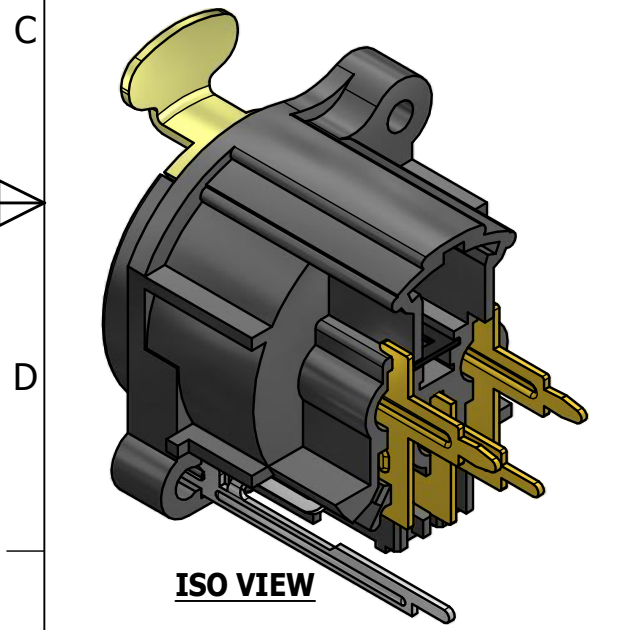
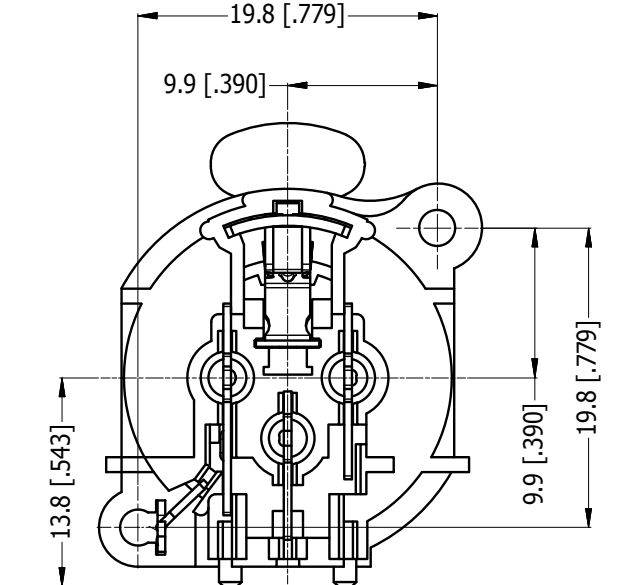
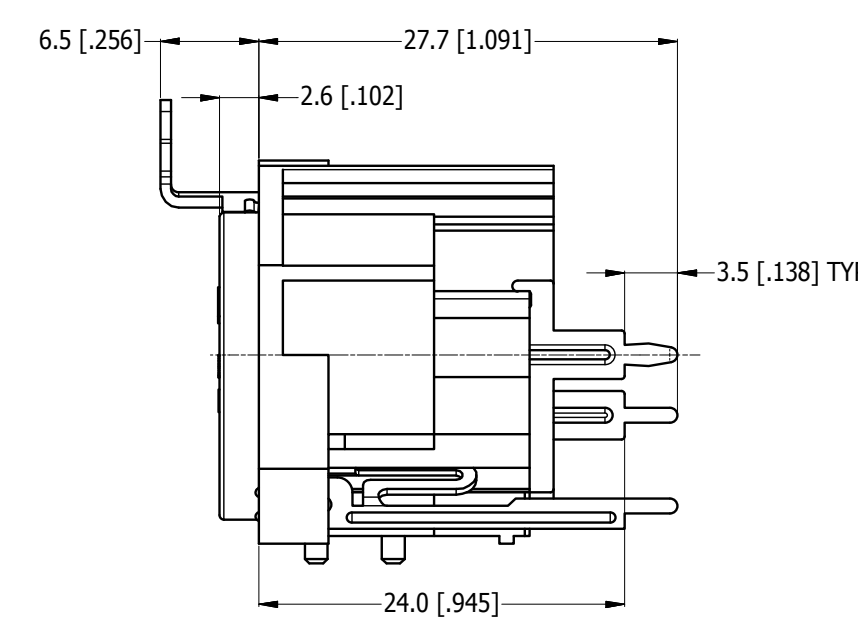
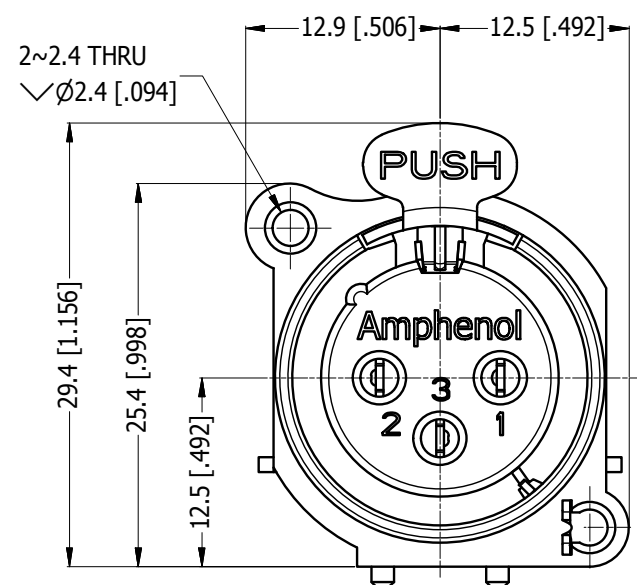
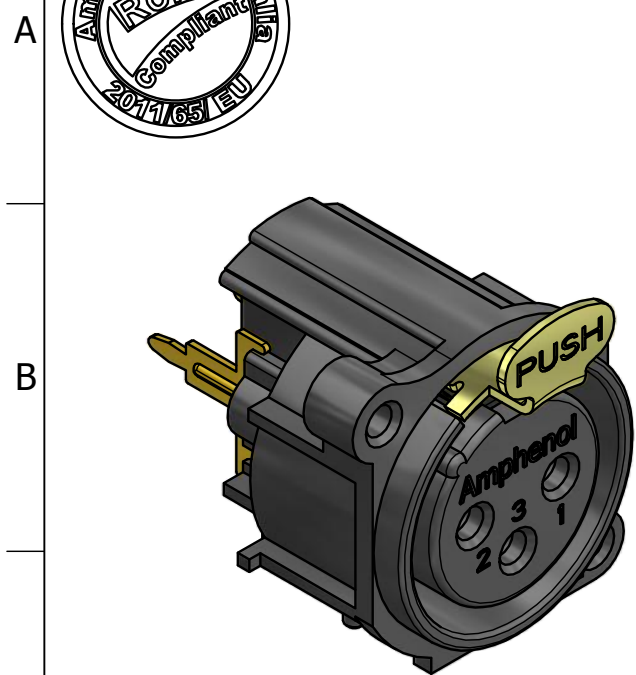


LEGEND = KEY PRODUCT CHARACTERISTICS



REVISION HISTORY				
REV	DESCRIPTION	DATE	BY	CHG/No
0	FIRST ISSUE	26/09/14	MH	---



MIN MOUNTING PITCH
SCALE 1:1

SCHEMATIC CHART

PANEL CUT OUT
REAR VIEW

PCB-LAYOUT
COMPONENT SIDE
TOLERANCE: $\pm 0.05\text{mm} [.002"]$

UNLESS OTHERWISE SPECIFIED TOLERANCE TO BE		THIS DOCUMENT IS THE PROPERTY OF AMPHENOL AUSTRALIA PTY. LTD. NO PART THEREOF MAY BE REPRODUCED AND USED WITHOUT THE PRIOR WRITTEN CONSENT OF THE OWNER				Amphenol Amphenol Australia Pty.Ltd, 22 Industry Blvd, Carrum Downs, VIC 3201	
LINEAR	ANGULAR	MATERIAL: REFER TO COMPONENT	DRN: MH	DATE: 26/09/14	TITLE: AC3FAV2-AU-PRE A-TYPE VERTICAL CUSTOMER DRAWING	PART No: AC3FAV2-AU-PRE	
X ±0.5	X' ±1	BREAK ALL SHARP EDGES AND REMOVE ALL BURRS	CKD: M.H	DATE: 26/09/14	DRAWING NO. 55011055-000-2		
X.X ±0.2	X.X' ±30'	DO NOT SCALE	APP'D: P.M	DATE: 26/09/14	SHEET 2/2		
X.XX ±0.1	X.XX' ±15'	DIMENSIONS IN MILLIMETRES	FINISH: REFER TO COMPONENT	SCALE: 2:1	SIZE: A3	CAD FILE 55011055000220	