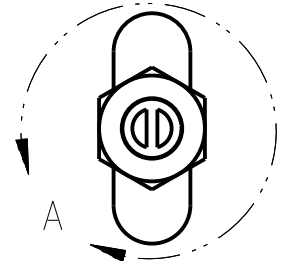
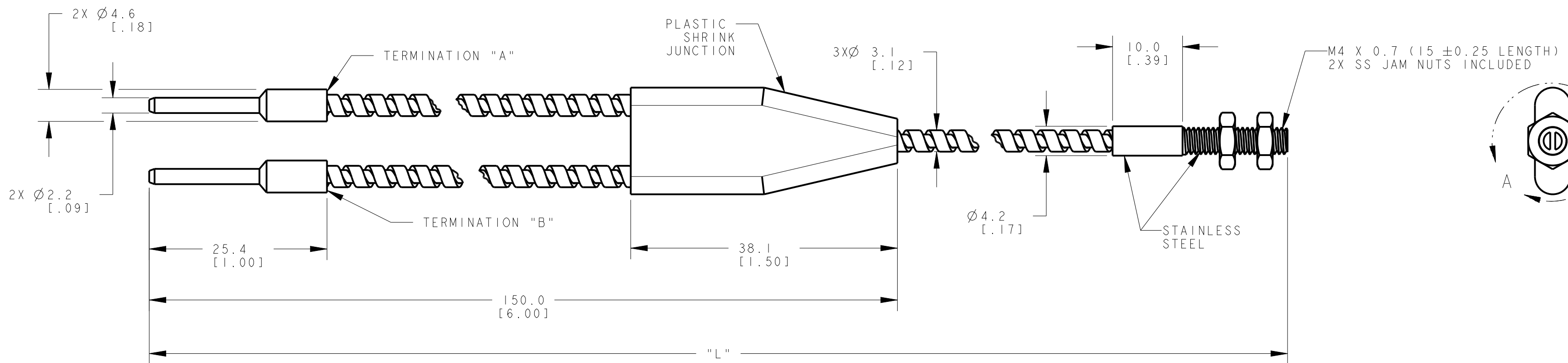
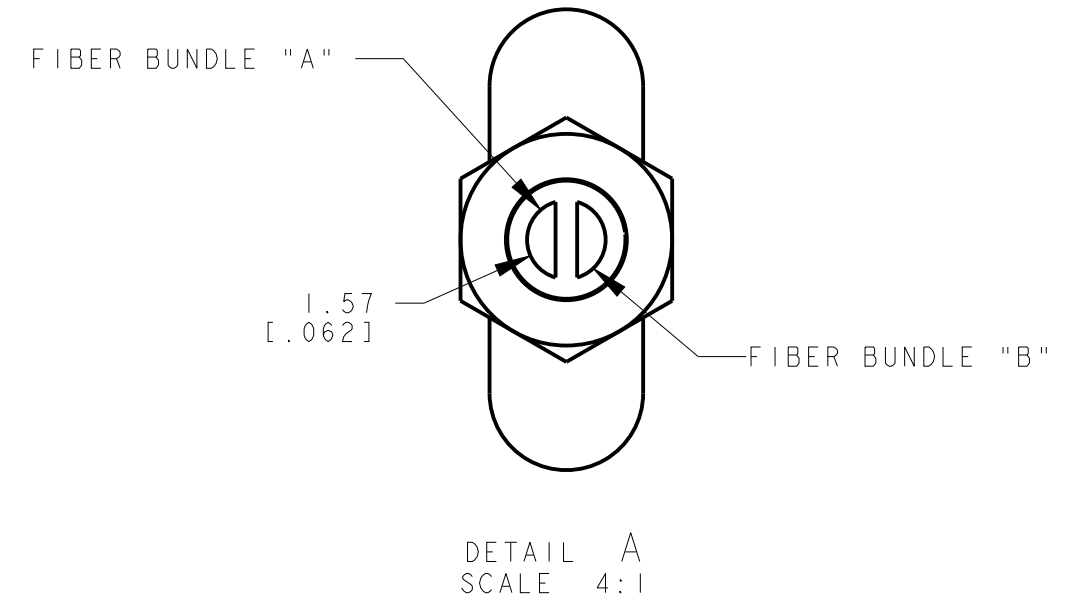


| MODEL NO. | "L" | P/N |
|---------------|-------------|--------|
| BMT116.4S-HT | 5000 [197] | 26652 |
| BMT110S-HT | 3048 [120] | 14267 |
| BMT123S-HT | 7000 [276] | 75486 |
| BMT13.33S-HT | 1016 [40] | 72536 |
| BMT16.6S-HT | 2000 [79] | 64397 |
| BMY149.2S-HT | 15000 [591] | 808186 |
| BMT132.83S-HT | 10008 [394] | 808161 |

NOTE - THIS ASSEMBLY CONSTRUCTED WITH EPOXY WHICH HAS A
MAXIMUM OPERATING TEMPERATURE OF 315°C [600°F]

FIBER BUNDLES "A" AND "B"
TO BE OPTICALLY ISOLATED
AT END TIP.



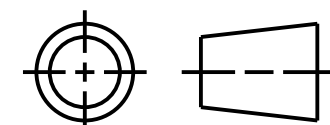
NOTES:
1. ALL DIMENSIONS ARE MILLIMETERS [INCHES] UNLESS OTHERWISE NOTED.
2. REFER TO "www.bannerengineering.com" FOR ADDITIONAL DATA AND SPECIFICATIONS.

This drawing is the property
of BANNER ENGINEERING CORP.
Any use or reproduction,
in any form, without prior
written permission of
Banner is prohibited.
© 2015 Banner Engineering Corp.

BANNER BANNER ENGINEERING CORP.
www.bannerengineering.com

TITLE
BMT1 STAINLESS STEEL HIGH TEMP SERIES

THIRD ANGLE PROJECTION



| | | |
|-----------|------------------------------|------------------|
| SIZE C | DRAWING NO. 193330 | REV. A |
| SCALE 2:1 | | SHEET 1 OF 1 |

CREO