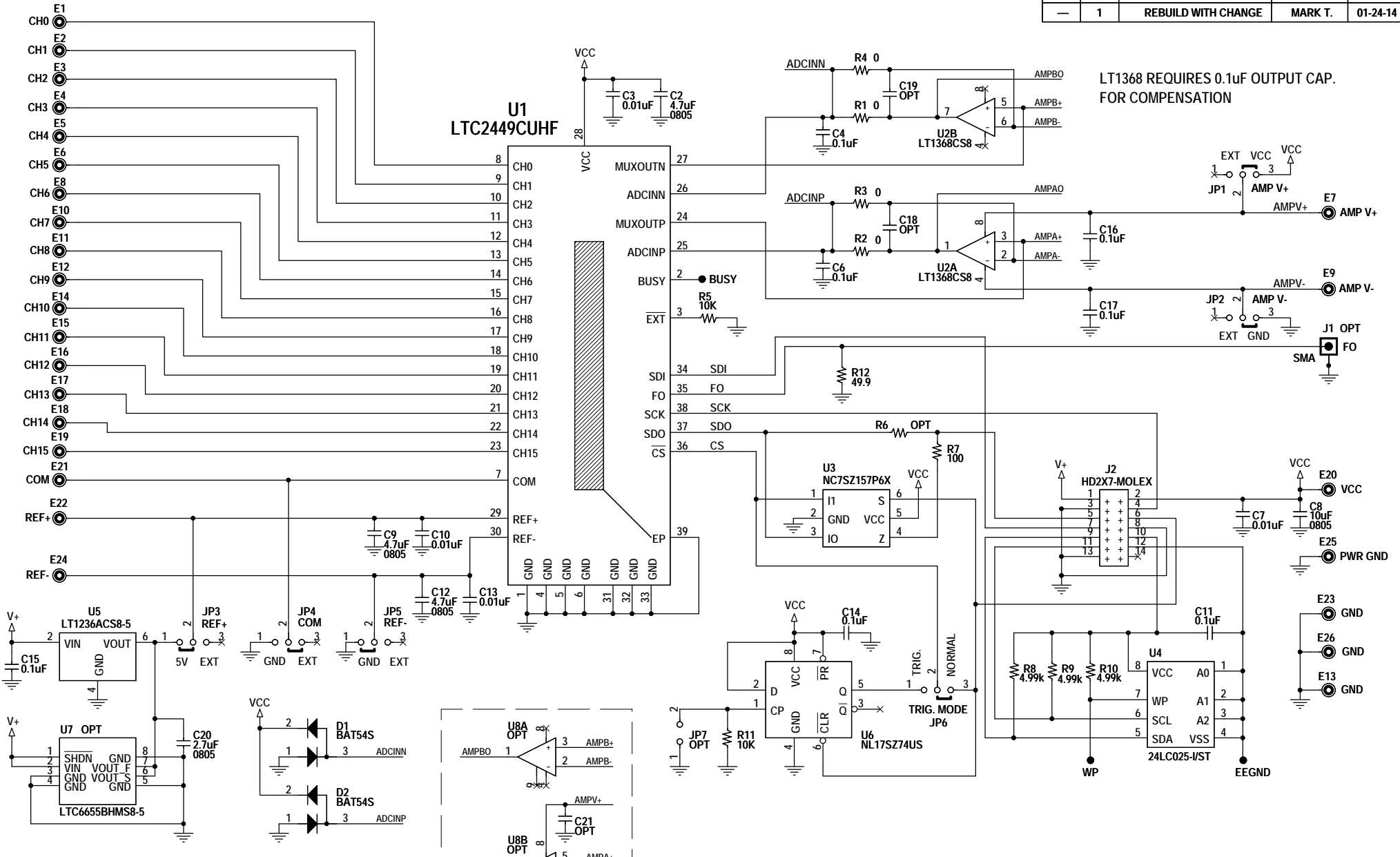


REVISION HISTORY				
ECO	REV	DESCRIPTION	APPROVED	DATE
—	1	REBUILD WITH CHANGE	MARK T.	01-24-14



LT1368 REQUIRES 0.1uF OUTPUT CAP. FOR COMPENSATION

U1
LTC2449CUHF

OPTIONAL CIRCUIT

NOTES: UNLESS OTHERWISE SPECIFIED

- ALL RESISTORS ARE IN OHMS, 0603.
- ALL CAPACITORS ARE IN MICROFARADS, 0603

CUSTOMER NOTICE		APPROVALS			1630 McCarthy Blvd. Milpitas, CA 95035 Phone: (408)432-1900 www.linear.com Fax: (408)434-0507 LTC Confidential-For Customer Use Only	
LINEAR TECHNOLOGY HAS MADE A BEST EFFORT TO DESIGN A CIRCUIT THAT MEETS CUSTOMER-SUPPLIED SPECIFICATIONS; HOWEVER, IT REMAINS THE CUSTOMER'S RESPONSIBILITY TO VERIFY PROPER AND RELIABLE OPERATION IN THE ACTUAL APPLICATION. COMPONENT SUBSTITUTION AND PRINTED CIRCUIT BOARD LAYOUT MAY SIGNIFICANTLY AFFECT CIRCUIT PERFORMANCE OR RELIABILITY. CONTACT LINEAR TECHNOLOGY APPLICATIONS ENGINEERING FOR ASSISTANCE.					PCB DES.	KIM T.
				APP ENG.	MARK T.	
THIS CIRCUIT IS PROPRIETARY TO LINEAR TECHNOLOGY AND SUPPLIED FOR USE WITH LINEAR TECHNOLOGY PARTS.				SCALE = NONE	DATE: 01/24/2014, 05:09 PM	SIZE N/A IC NO. LTC2449CUHF DEMO CIRCUIT 742B REV. 1
					SHEET 1	OF 1