

## SUMMARY



Image is for illustrative purpose only

### # Wires

Low voltage	22
Coax	1

Series	3K
Termination type	Male solder mixed / multi coax
IP rating	68
AWG wire size	30.00 - 22.00
Cable Ø	0.00 - 0.00 mm
Status	active

### Download

- [Request a quote](#)
- [Catalog](#)

## TECHNICAL DETAILS

### Mechanics

Shell Style/Model	FA*: Fixed plug, non-latching, nut fixing
Keying	1 key (alpha=0, plug: male contacts, receptacle: female contacts)
Housing Material	Brass (chrome plated [SAE AMS 2460]) shell and collet nut, nickel plated [SAE AMS QQ N 290] brass latch sleeve and mid pieces
Weight	74.03 g

### Performance

Configuration	3K.822 : 1 Coax (50 Ohm), 22 Low V.
Insulator	L: PEEK (UL 94 / V-0/1.5)
Rated Current	5 Amps

### Specifications

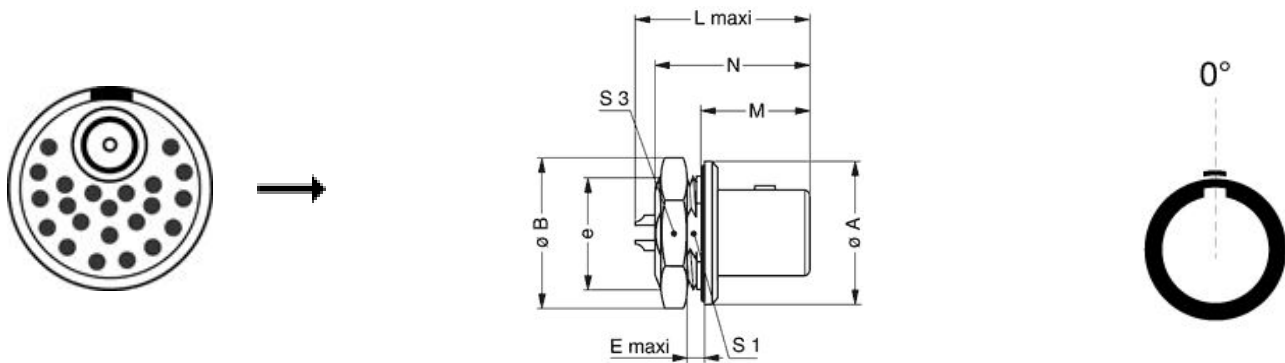
Contact Type: Coaxial 50 Ohm (Crimp) Type C  
Contact Dia.: 0.7 mm (0.03in)  
R (max): 5.8 mOhm  
Test voltage (kV rms): 0.7  
Test voltage (kV dc): 1  
Cable type: RG 174 A/U, RG 188 A/U, RG 316 /U

### Others

LEMO products and services are provided "as is". LEMO makes no warranties or representations with regard to LEMO product & services or use of them, express, implied or statutory, including for accuracy, completeness, or security. The user is fully responsible for his products and applications using LEMO components.

Endurance (Shell): 5000 mating cycles  
 Temp (min / max): -55°C / +200°C  
 Humidity (max): <=95% [at 60 deg C / 140 F]  
 Vibration: 15 g [10 Hz - 2000 Hz]  
 Shock Resistance: 100 g [ 6 ms]  
 Climatical Category: 50/175/21  
 Shielding (min): 95 dB (10 MHz)  
 Shielding (min): 80 dB (1 GHz)  
 Salt Spray Corrosion: >1000 hr

## DRAWINGS



### Dimensions

	A	B	E	L	M	N	S1	S3	e
mm.	31	34.5	4	34.3	22.5	33.8	22.5	30	M24x1.0
in.	1,22	1,36	0,16	1,35	0,89	1,33	0,89	1,18	

## RECOMMENDED BY LEMO

### Tools

Extractor: [DCC.91.384.5LA](#)

Die Tool: [DPE.99.103.8K](#)

LEMO products and services are provided "as is". LEMO makes no warranties or representations with regard to LEMO product & services or use of them, express, implied or statutory, including for accuracy, completeness, or security. The user is fully responsible for his products and applications using LEMO components.

## Cables

*LEMO products and services are provided "as is". LEMO makes no warranties or representations with regard to LEMO product & services or use of them, express, implied or statutory, including for accuracy, completeness, or security. The user is fully responsible for his products and applications using LEMO components.*