



Mallory Sonalert Products, Inc.

Part #: **JT120-YG-CD**

Sales Outline Drawing

Revision: **D**

Specifications:

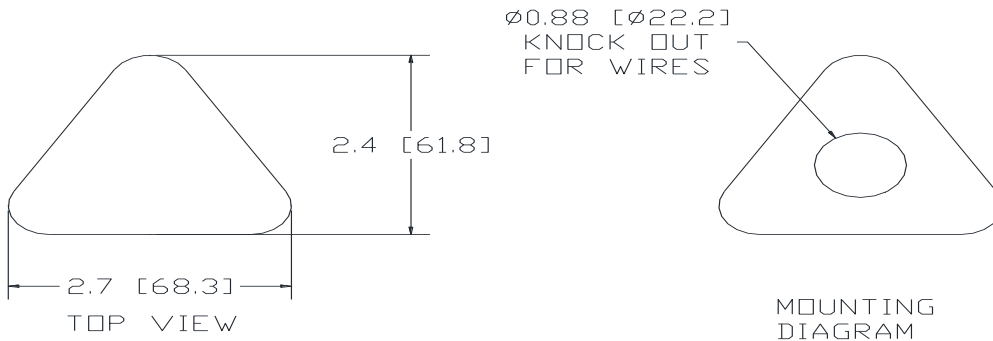
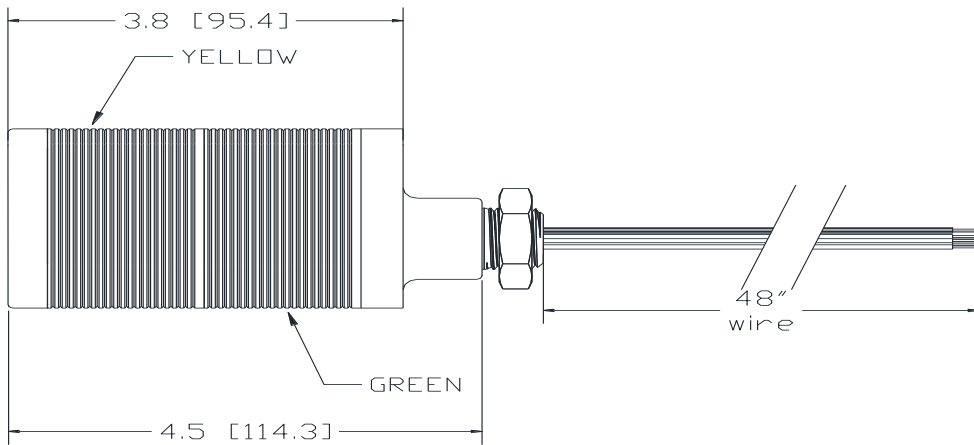
Stack Number:	1	2			
LED Color:	YELLOW	GREEN			
Connection Wires:	Yellow and Brown	Green and Brown			
LED Current Draw:	<230 mA	<190 mA			
Rated Voltage:	120 VAC				
Operating Voltage:	90-120 VAC				
Total Max Current:	<420mA				
Operating Temperature:	-25° ~ +60°C				
Lens Color:	Opaque White				
Material:	ABS FR15U				
Mounting Method:	Direct Mount using 1/2" NPT Stainless Steel Pipe and Nut				
Weight Typical (g):	215				
NEMA 12:	Approved				
Options:	Please contact factory.				

Dimensions: Inches (mm)

cUL Recognized

ROHS Compliant

PATENT NUMBER D898600 10309594



LED OPERATION: CONNECT STACK COLOR WIRE TO POWER AND BROWN WIRE TO POWER.