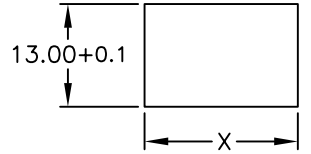
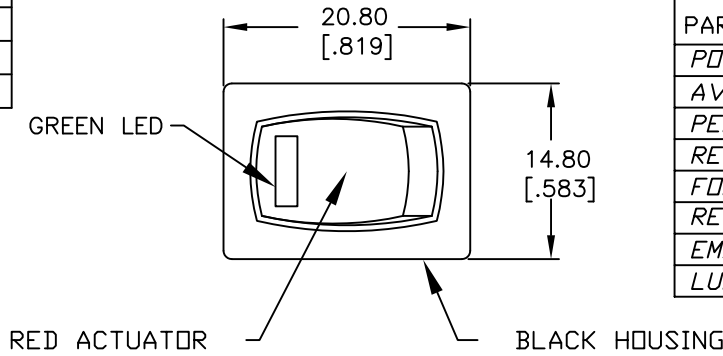


PANEL THICKNESS	X dimension
0.75-1.25 [.030-.049]	19.2-0.1 [.756]
1.25-2.0 [.049-.079]	19.4-0.1 [.764]
2.0-3.0 [.079-.118]	19.8-0.1 [.780]



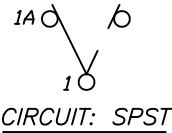
PANEL CUTOUT
NOT TO SCALE



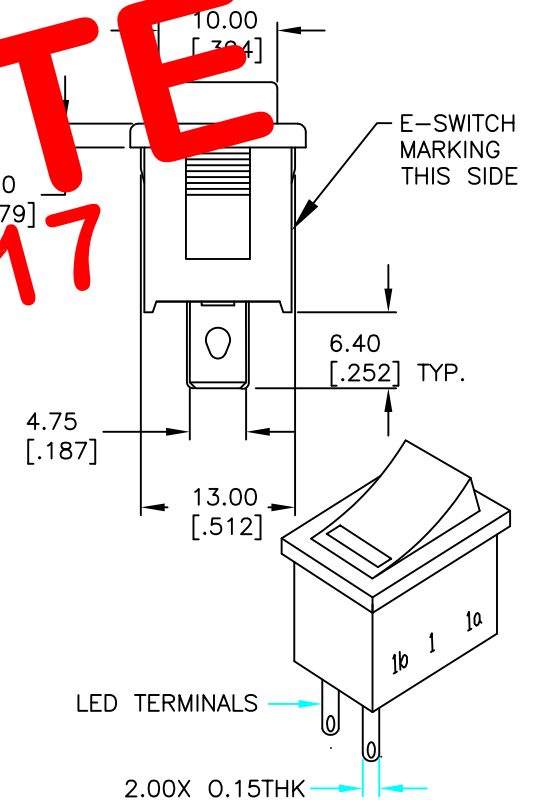
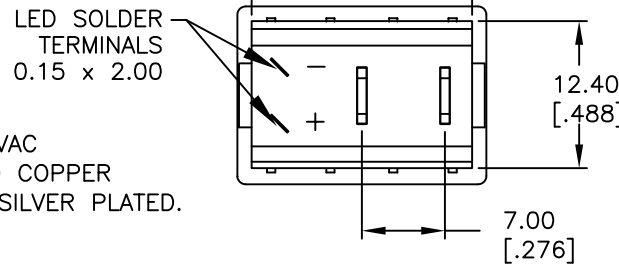
GREEN L.E.D

PARAMETERS	SYMBOL	MAX.	TYP.	UNITS
POWER DISSIPATION	P_D	80		mW
AVE FORWARD CURRENT	I_{AF}	--		mA
PEAK FORWARD CURRENT	I_{PF}	100		mA
REVERSE VOLTAGE	V_R	5		V
FORWARD VOLTAGE	V_F	2.6	2	V
REVERSE CURRENT	I_R		100	μ A
EMISSION WAVELENGTH	λ_P		570	nm
LUMINOUS INTENSITY	I_v		30	mcd

SWITCH FUNCTION	
PDS. 1	PDS. 2
ON	OFF
1-1a	OPEN



OBSOLETE
November 2017
PCR 23109



ORTHOGRAPHIC PROJECTION
FOR CLARITY ONLY

NOTES:

- ALL DIMENSIONS IN MM [INCH]
- GENERAL TOLERANCE: X.X=±0.4
X.XX=±0.25
- TERMINAL NUMBERS FOR REF ONLY
- RATING: 15A @ 125VAC OR 6A @ 250VAC
- MATERIALS: (TERMINALS) SILVER PLATED COPPER
(CONTACTS) COIN SILVER, SILVER PLATED.
- CONTACT RESISTANCE: <20 Mega
- ELECTRIC LIFE: 10,000 cycles
- INSULATION RESISTANCE: >1000 Mega
- DIELECTRIC STRENGTH: >1500V 1 minute
>3000V between Poles

E-SWITCH®

TITLE		R1966A BLK RED E F GRN			
SCALE	DATE	DR	DWG	REV	
1.5:1	10/23/02	CB	M309203	A	