

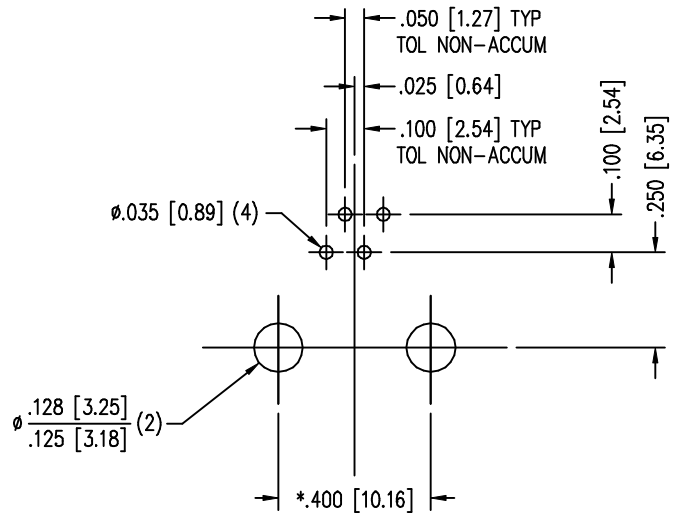
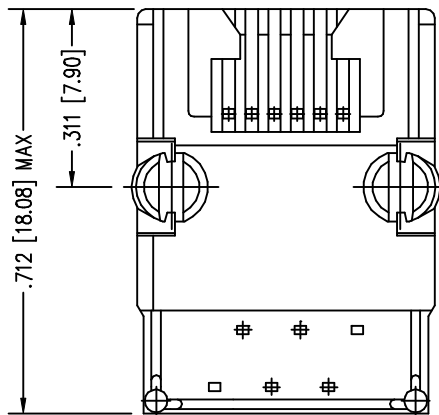
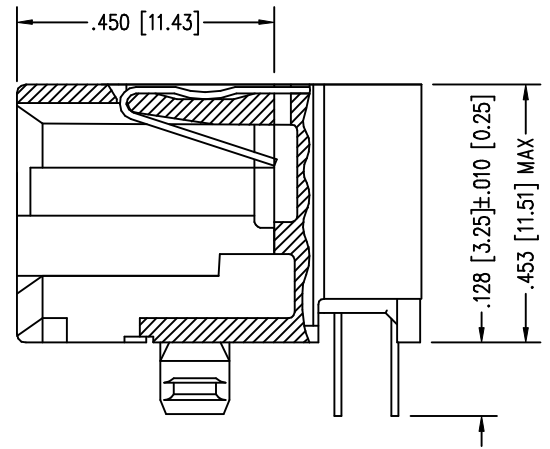
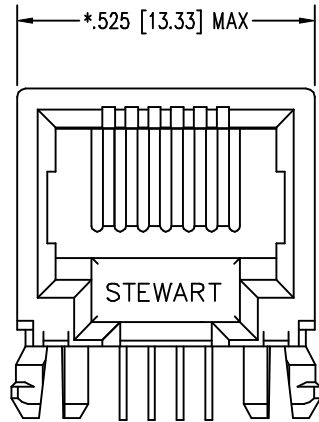
Stewart Connector

11118 Susquehanna Trail South
 Glen Rock, PA 17327-9199
 (717) 235-7512 Fax: (717) 235-7954

REV.	REVISION CHANGES
A0	ADDED NEW FORMAT
A1	ADDED 50uIN GOLD PART NUMBER

PART NO. SS-7046-NF (30uIN GOLD)
 PART NO. SS-7046-NF-50 (50uIN GOLD)

FOUR CONTACT, SIX POSITION, MICRO JACK
 NF-NON FLANGED



P.C.B. RECOMMENDED HOLE LAYOUT
 SEEN FROM COMPONENT SIDE
 TOLERANCE ±.003 [0.08] UNLESS OTHERWISE SPECIFIED

NOTE:
 - TOLERANCE COMPLY WITH F.C.C. DIMENSION REQUIREMENTS
 ALL OTHERS ±.005 [0.13] UNLESS OTHERWISE SPECIFIED.

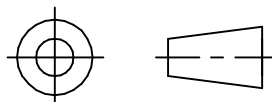
- DIMENSIONS SHOWN WITH "*" TO BE CENTRAL
 ABOUT CENTER LINE

AVAILABLE WITH:
 - LOADED 1 - 6 CONTACTS

CT700011

SHT. 1 OF 1

THIRD ANGLE PROJECTION



THIS DRAWING AND THE SUBJECT MATTER SHOWN THEREON
 ARE CONFIDENTIAL AND THE PROPRIETARY PROPERTY OF
 STEWART CONNECTOR ("SCS") AND SHALL NOT BE
 REPRODUCED, COPIED OR USED IN ANY MANNER WITHOUT
 PRIOR WRITTEN CONSENT OF "SCS". THE SUBJECT MATTER
 MAY BE PATENTED OR A PATENT MAY BE PENDING. © SCS