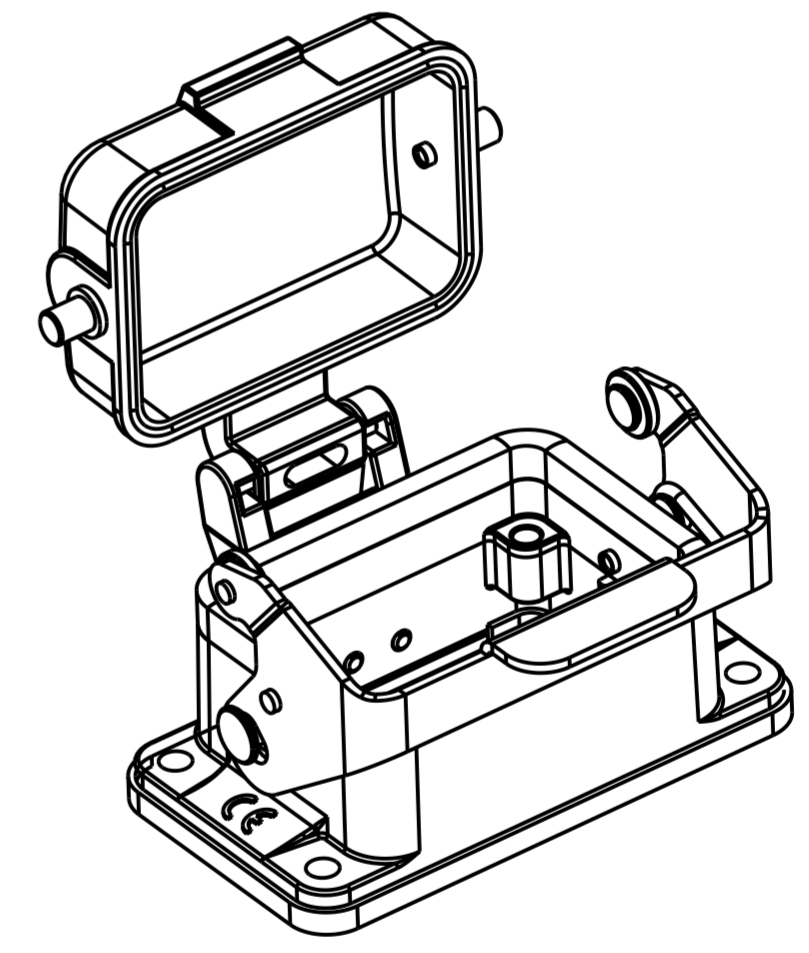
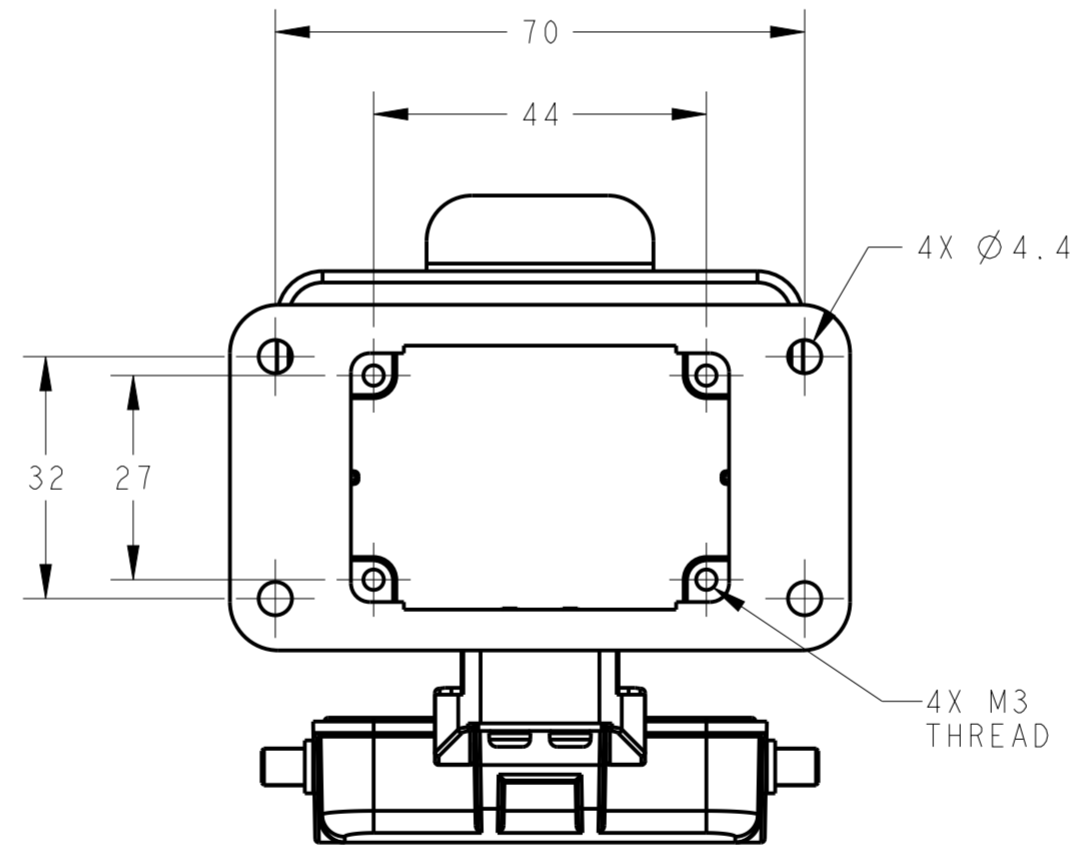
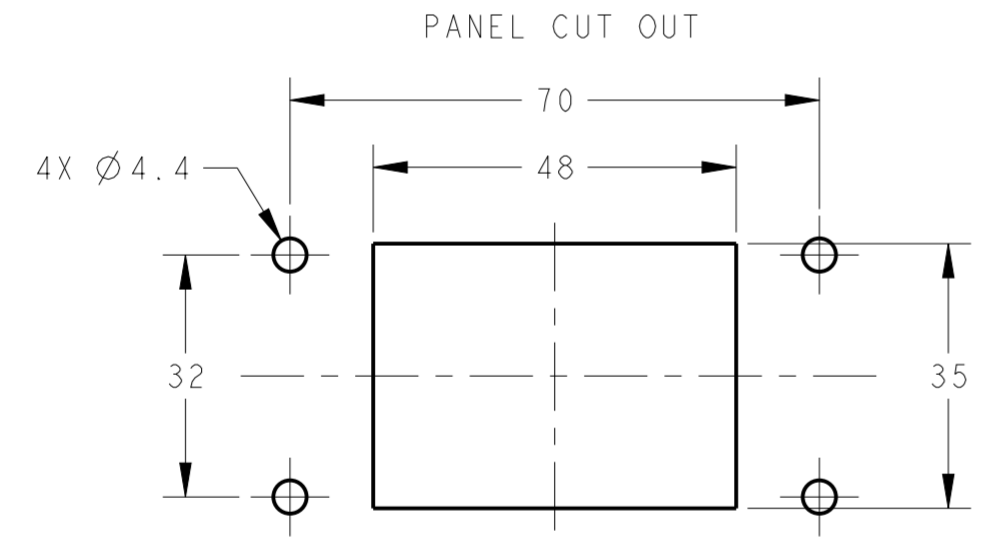
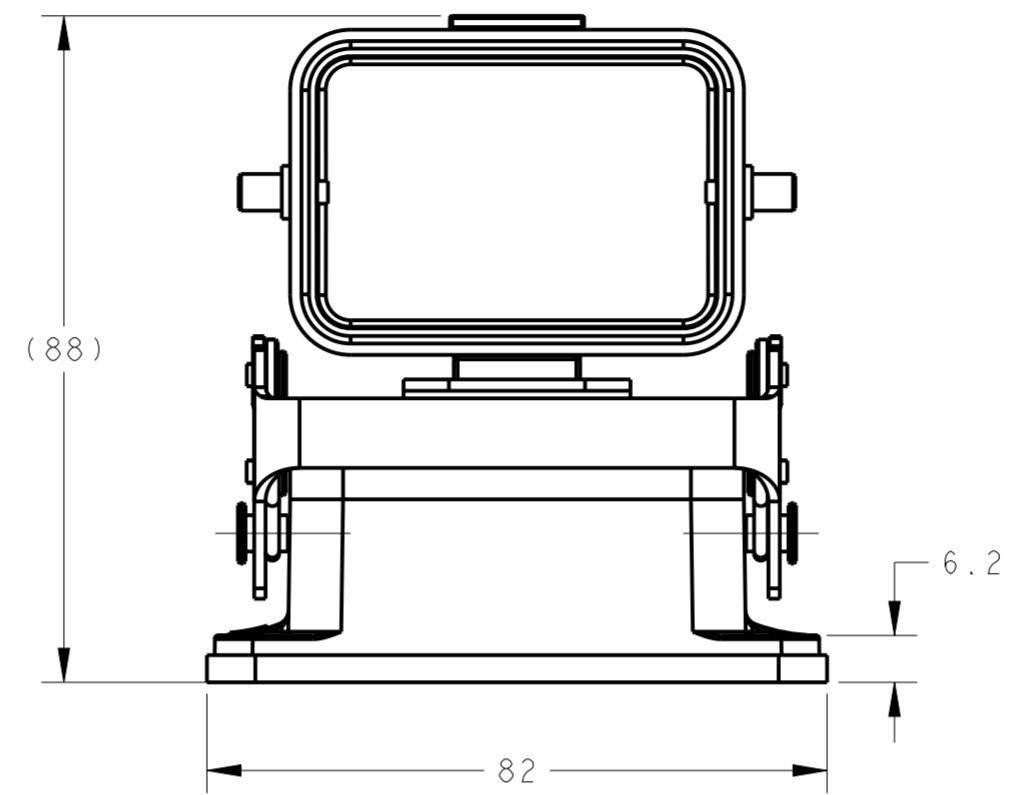
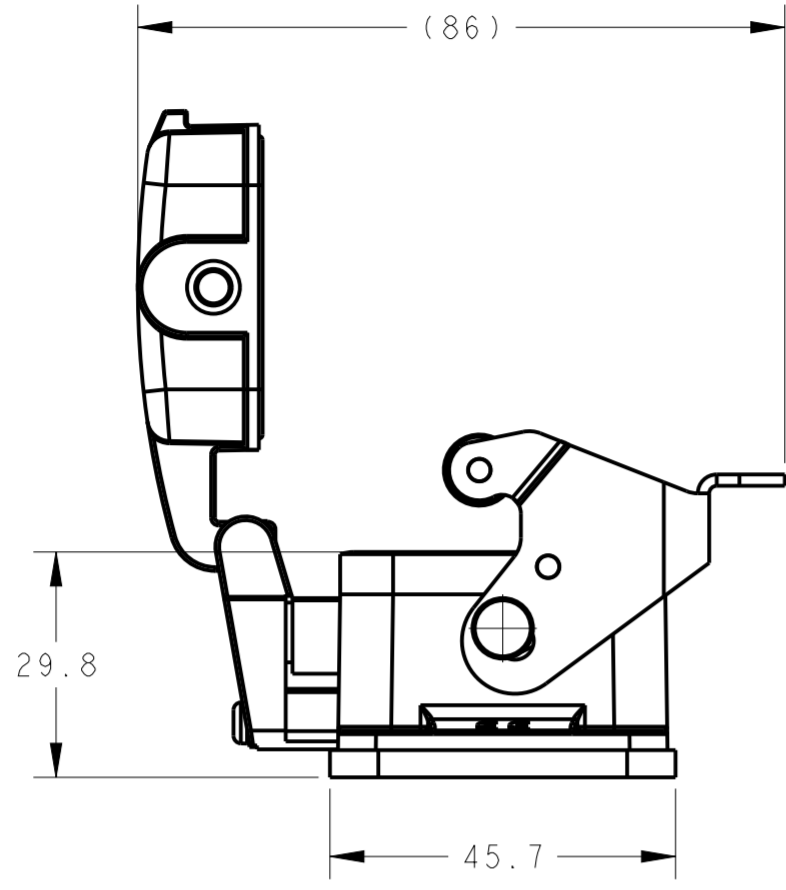


THIS DRAWING IS UNPUBLISHED. RELEASED FOR PUBLICATION 20
 © COPYRIGHT 20 BY - ALL RIGHTS RESERVED.

REVISIONS					
P	LTR	DESCRIPTION	DATE	DWN	APVD
	A	INITIAL	18JUN2015	DW	CW
	A1	ECR-15-012067	10AUG2015	DW	CW
	A2	ECR-18-019749	24DEC2018	CD	CW
	B	ECR-20-007968	08JUN2020	WOR	CW



NOTES:
 1. TECHNICAL CHARACTERISTICS:
 HOUSING MATERIAL: DIE CAST ALUMINIUM ALLOY
 SURFACE: SEE TABLE
 DEGREE OF PROTECTION: IP65 (MATED)

注释:
 1. 技术参数:
 下壳材料: 铝合金
 表面处理: 见表格
 防护等级: IP65(配合)

T1510062000-001	H6B-ADMS	H6B HOUSING,BULKHEAD MOUNTED,STAINLESS STEEL SINGLE LOCKING,METAL PROTECTION COVER, POWDER COATED,DEEP GREY H6B下壳,开孔安装,不锈钢单扣,带金属保护盖,深灰色粉末喷涂
T1510062000-000	H6B-ADMS	H6B HOUSING,BULKHEAD MOUNTED,STAINLESS STEEL SINGLE LOCKING,METAL PROTECTION COVER, POWDER COATED,GREY H6B下壳,开孔安装,不锈钢单扣,带金属保护盖,灰色粉末喷涂
PART NUMBER 料号	PART DESCRIPTION 描述	

THIS DRAWING IS A CONTROLLED DOCUMENT.		DWN 05JUN2015 David Wang	TE Connectivity	
		CHK 05JUN2015 Chris Wang		
DIMENSIONS: mm		APVD 05JUN2015 Yiann Xu	NAME H6B-ADMS	
TOLERANCES UNLESS OTHERWISE SPECIFIED: 0 PLC ± 1 PLC ± 2 PLC ± 3 PLC ± 4 PLC ± ANGLES ± FINISH		PRODUCT SPEC 108-137013	RESTRICTED TO	
MATERIAL		APPLICATION SPEC 114-137013	SIZE A2	CAGE CODE 00779
		WEIGHT	DRAWING NO T1510062000000	
		Customer Drawing	SCALE 1:1	SHEET 1 OF 1
			REV B	