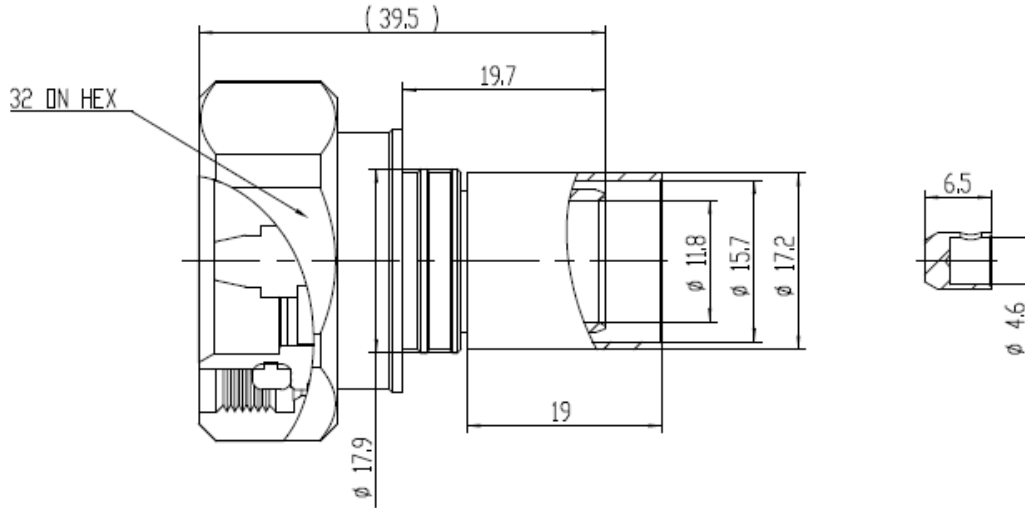


**NOTICE OF PROPRIETARY RIGHTS** THIS DOCUMENT CONTAINS CONFIDENTIAL TECHNICAL DATA, INCLUDING TRADE SECRETS, PROPRIETARY TO TIMES MICROWAVE SYSTEMS. DISCLOSURE OF THIS DATA IS EXPRESSLY CONDITIONED UPON YOUR ASSENT THAT ITS USE IS LIMITED TO USE WITHIN YOUR COMPANY ONLY. ANY OTHER USE IS STRICTLY PROHIBITED WITHOUT THE PRIOR WRITTEN CONSENT OF TIMES MICROWAVE SYSTEMS.

SYM	REVISION DESCRIPTION	DFTM	DATE	APPD	DATE
A	RELEASED FOR PRODUCTION	K.A.M.	5/23/11	J.D.B.	6/9/11
B	CHANGED PER CDC #42268	N.N.N	5/21/15	J.D.B	5/27/15



REFERENCE STANDARD

1. ELECTRIC PERFORMANCE  
 NOMINAL IMPEDANCE( $\Omega$ )  
 FREQUENCY RANGE  
 VSWR  
 INSERT LOSS  
 INSULATION RESISTANCE( $M\Omega$ )  
 PROOF VOLTAGE(V)  
 CONTACT RESISTANCE( $m\Omega$ )

IEC61169-4  
 50  
 DC-6GHz  
 $\leq 1.35$   
 $\leq 0.05$ (DC-3G)  
 $\geq 10000$   
 2500  
 OUTER CONDUCTOR  $< 0.2$   
 INNER CONDUCTOR  $< 0.8$

2. MECHANICAL PERFORMANCE  
 NUT TORQUE  
 (NUT)WHORL PULL  
 TENSILE FORCE(CABLE-CONNECTOR)  
 TORSION(CABLE-CONNECTOR)

25N.m  
 1000N  
 500N  
 5N.m

3. MATERIAL AND PLATING

- INNER CONDUCTOR  
 OUTER CONDUCTOR  
 NUT  
 INSULATOR  
 GASKET

SPRING COPPER/BRASS Ag5 $\mu$ m  
 BRASS COPPER-TIN-ZINC2 $\mu$ m  
 BRASS COPPER-TIN-ZINC2 $\mu$ m  
 PTFE  
 SILICONE RUBBER

4. ENVIRONMENT  
 TEMPRANGE  
 WEATHER STANDARD  
 THERMAL SHOCK  
 VIBRATION  
 SHOCK  
 WATERPROOFING STANDARD  
 ROHS COMPLIANT

-40 $^{\circ}$ ~+85 $^{\circ}$ C  
 IEC 60068 40 / 085/ 21  
 IEC 60068 -2-14-No  
 IEC 60068-2-6-Fc  
 IEC 60068-2-27  
 IP67

5.ASSEMBLY: INNER CONDUCTOR SOLDERED AND OUTER CONDUCTOR CRIMPED

MATL:	UNLESS OTHERWISE SPECIFIED		DFTM. K. A. M.	TIMES MICROWAVE SYSTEMS	
	ALL DIMENSIONS ARE IN mm		DATE 5/23/11		
USED ON:			CHKD. J. D. B.	CONNECTOR, 7-16 MALE FOR LMR-600 (TC-600-716M-X)	
			DATE 6/9/11		
			APPD. J. D. B.		
SCALE: ~	DWG. SIZE A	DO NOT SCALE DRAWING	CODE IDENT 68999	DATE 6/9/11	SHEET 1 of 1
				REV B	