



# PRODUCT CHANGE NOTIFICATION

<b>CUSTOMER NAME</b>	ALL CUSTOMERS		
<b>MODEL AFFECTED</b>	See Appendix A		
<b>PROCESS CHANGE ORDER #</b>	<b>PCN202101001</b>	<b>IMPLEMENTATION DATE</b>	<b>01/25/2021</b>
<b>DESCRIPTION OF CHANGE:</b> Change of wire lead length on ERP drivers			

<b>CUSTOMER CONTACT</b>	MARC MCANDREW (Marc@erp-power.com)		
<b>DATE OF NOTIFICATION</b>	01/25/2021		

**DESCRIPTION OF CHANGE:** In an effort to standardize wire length lead across our portfolio, and to more closely align with UL technical requirements outlined in UL 8750, UL 1310, and UL 1598, ERP is planning to change the wire lead length on several families of drivers.

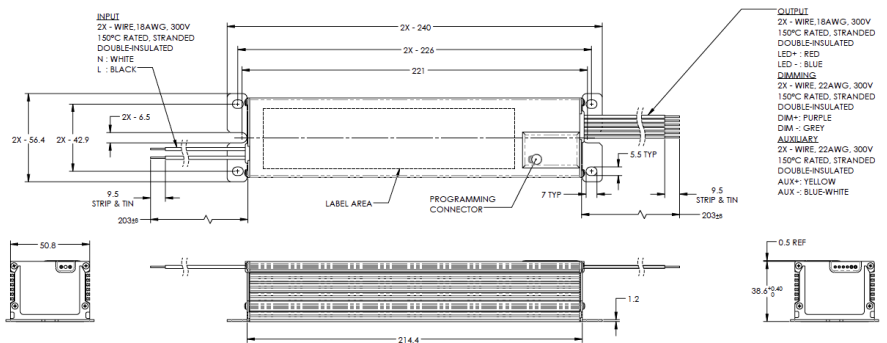
This change is planned to take effect on March 01, 2021, at which point ERP will begin manufacturing LED drivers with nominal wire lead lengths of 157 mm (6.18 in). In the below comparison drawings, products are grouped into similar dimensioned products as representations of the product change. The comparison drawings may not accurately reflect dimensions or number of wire connections for all associated products, but rather serve to compare wire lengths. For a complete list of part numbers affected by this change, please refer to appendices A and B below.

## CDB, PDB, PTNC, VLB Series

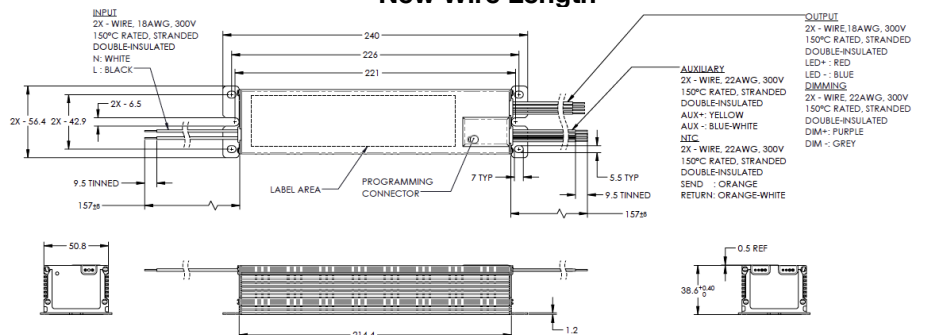
### Part Numbers:

CDB260W-0860-400-R
CDB260W-0860-400-W
CDB260W-1300-280-R
CDB260W-1300-280-W
CDB260W-1700-210-R
CDB260W-1700-210-W
PDB260W-0860-400
PDB260W-1300-280
PDB260W-1700-210
PNTC260W-1700-210
VLB260W-12
VLB260W-24
VLB260W-48
VLB260W-24-CST
VLB260W-48-CST

### Current Wire Length



### New Wire Length



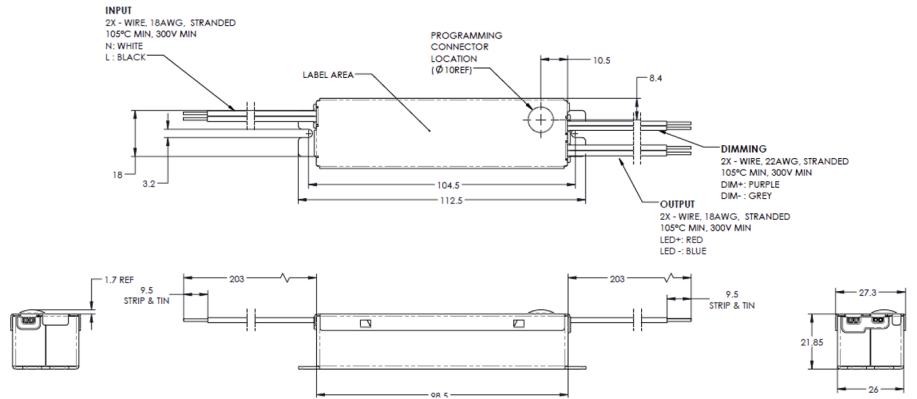
<b>DATE OF APPROVAL</b>	01/25/2021
-------------------------	------------

## CNB, DHB, DSB, DTB, PHB, PSB Series

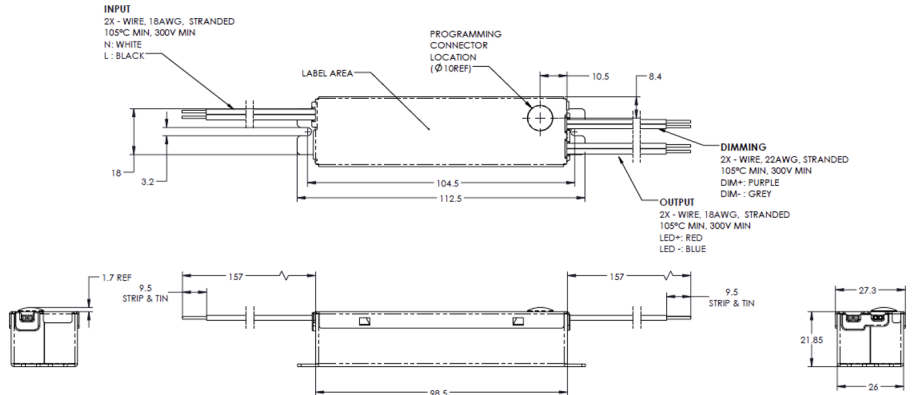
### Part Numbers:

CNB30W-0600-42-SIL	PHB30W-0500-42-SON17
CNB50W-1200-42-SIL	PHB30W-0700-42-ETN1
DHB05W-0080-36-ETN1	PHB30W-0700-42-SLE
DHB10W-0180-36-ETN1	PHB30W-0700-42-SON18
DHB10W-0225-38-ETN1	PHB40W-0700-47-ABL3
DHB10W-0250-38-ETN1	PHB50W-1050-47-ABL3
DHB15W-0300-38-ETN1	PHB50W-1200-42-ETN1
DSB20W-0500-38-ETN2	PHB50W-1200-42-SLE
DSB30W-0750-40-ETN2	PSB30E-0700-42
DSB50W-1040-40-ETN2	PSB30W-0700-34-S
DTB050W-1200-42-ABL	PSB30W-0700-42
DTB050W-1250-40-ETN2	PSB30W-0700-42-S
DTB060W-1040-58-ETN2	PSB30W-1050-27
DTB060W-1400-42-ETN2	PSB30W-1050-27-S
DTB070W-1200-58-ETN2	PSB50E-1200-42
DTB070W-1600-42-ABL	PSB50W-0550-85-S
DTB080W-1900-42-ABL	PSB50W-0850-56
DTB080W-1900-42-ETN2	PSB50W-0850-56-S
PHB30W-0500-42	PSB50W-1200-42
PHB30W-0500-42-S	PSB50W-1200-42-S
PHB30W-0700-42	PSB50W-1400-34
PHB30W-0700-42-S	PSB50W-1400-34-S
PHB50W-0850-56	PSB30W-0700-42-ABL3
PHB50W-0850-56-S	PSB30W-0700-42-RAB
PHB50W-1200-42	PSB30W-0700-42-SPL
PHB50W-1200-42-S	PSB50W-0850-56-RAB
PHB30W-0500-42-ETN1	PSB50W-1200-42-ABL3
PHB30W-0500-42-SLE	PSB50W-1200-42-RAB
PHB30W-0500-42-SON16	

### Current Wire Length



### New Wire Length



DATE OF APPROVAL

01/25/2021

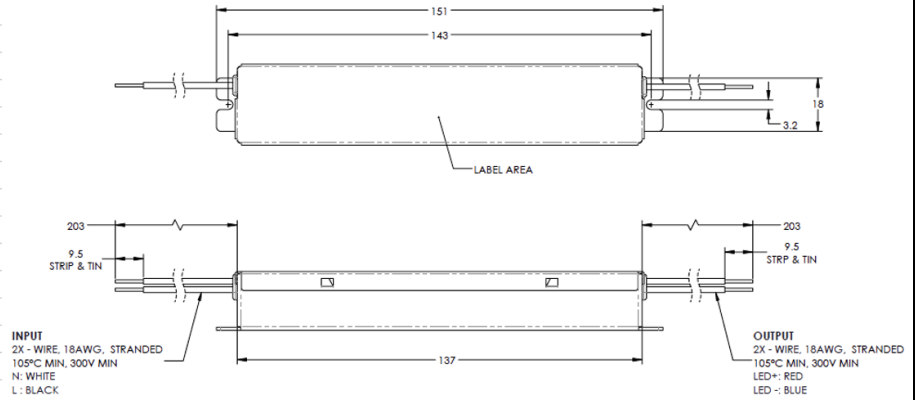
FORM-ENG-013

## JVLM, VLM, VZM Series

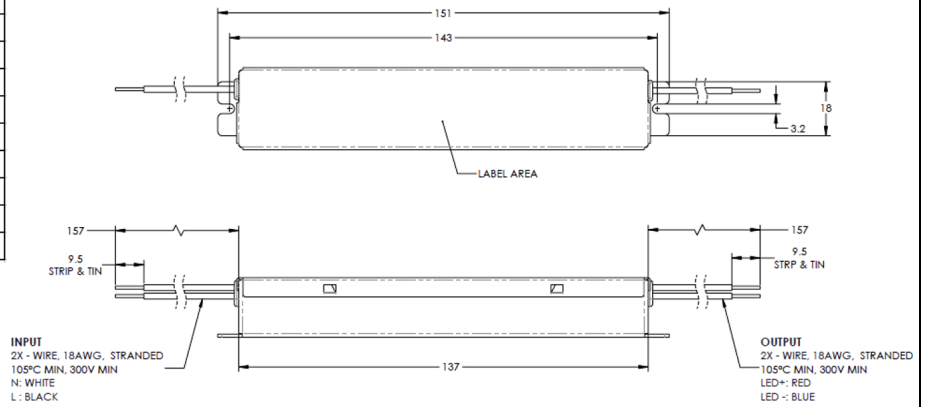
### Part Numbers:

JVLM100W-24	VLM40W-48-S
JVLM60W-12	VLM40W-24-LMJ
JVLM60W-24	VLM40W-48-CST
JVLM60W-48	VLM60E-12
JVLM100W-24-KTL	VLM60E-24
JVLM60W-12-KTL	VLM60E-48
VLM100E-12	VLM60W-12
VLM100E-24	VLM60W-12-S
VLM100E-48	VLM60W-24
VLM100W-12	VLM60W-24-S
VLM100W-12-S	VLM60W-48
VLM100W-24	VLM60W-48-S
VLM100W-24-S	VLM60W-12-KTL
VLM100W-36	VLM60W-12-MRA
VLM100W-48	VLM60W-24-CST
VLM100W-48-S	VLM60W-24-KTL
VLM100W-12-KTL	VLM60W-24-TCL
VLM100W-24-CST	VLM60W-48-CST
VLM100W-24-KTL	VLM60W-48-KTL
VLM100W-24-LEL	VZM060W-24
VLM100W-24-LMP	VZM060W-48
VLM100W-48-CST	VZM060W-24-KIC
VLM100W-48-KTL	VZM100W-24
VLM40W-12	VZM100W-48
VLM40W-12-S	VZM100W-24-FLX
VLM40W-24	VZM100W-24-FLX
VLM40W-24-S	VZM100W-24-KIC
VLM40W-48	VZM100W-24-KIC

### Current Wire Length



### New Wire Length



DATE OF APPROVAL

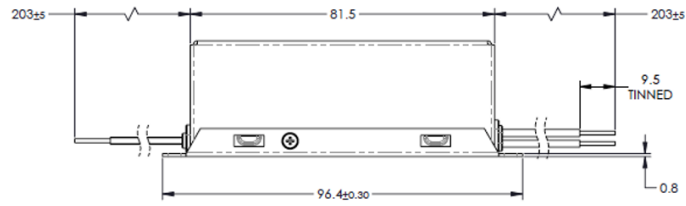
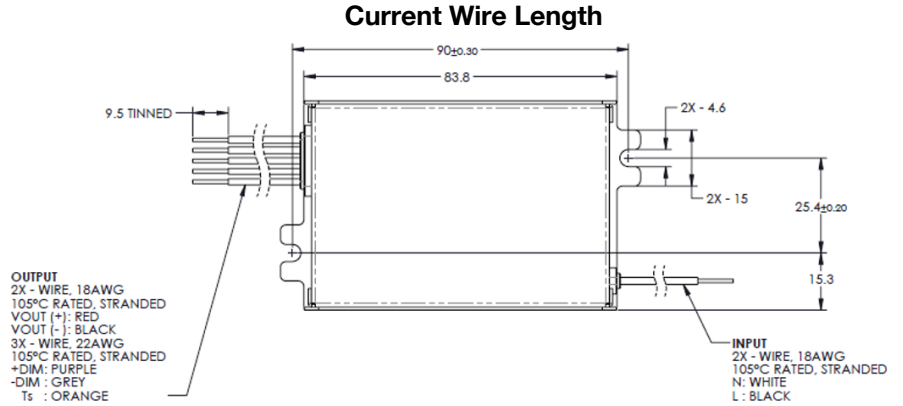
01/25/2021

FORM-ENG-013

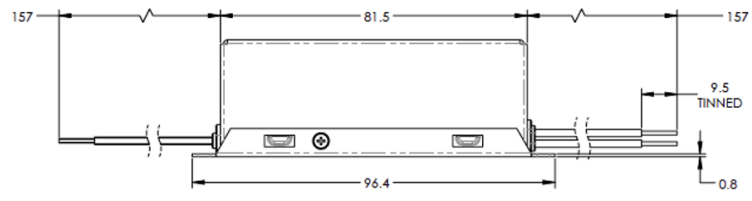
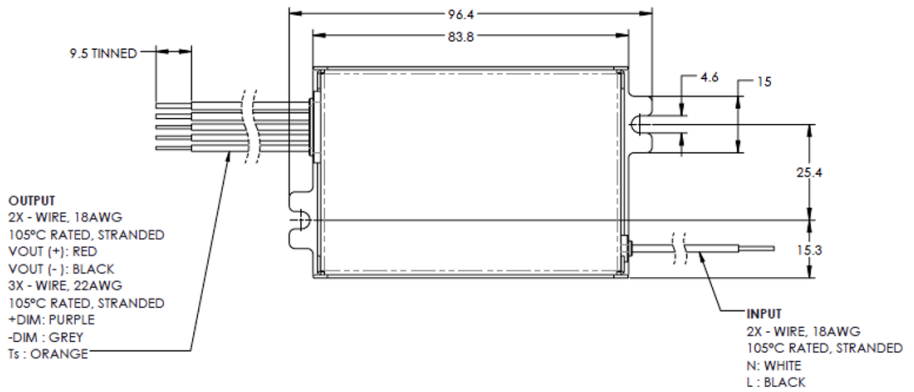
## ERM Series

**Part Numbers:**

ERM050W-1800-28
ERM060W-1400-42
ERM060W-1600-42
ERM060W-1750-40
ERM060W-2100-28
ERM060W-0700-82-ULP



**New Wire Length**



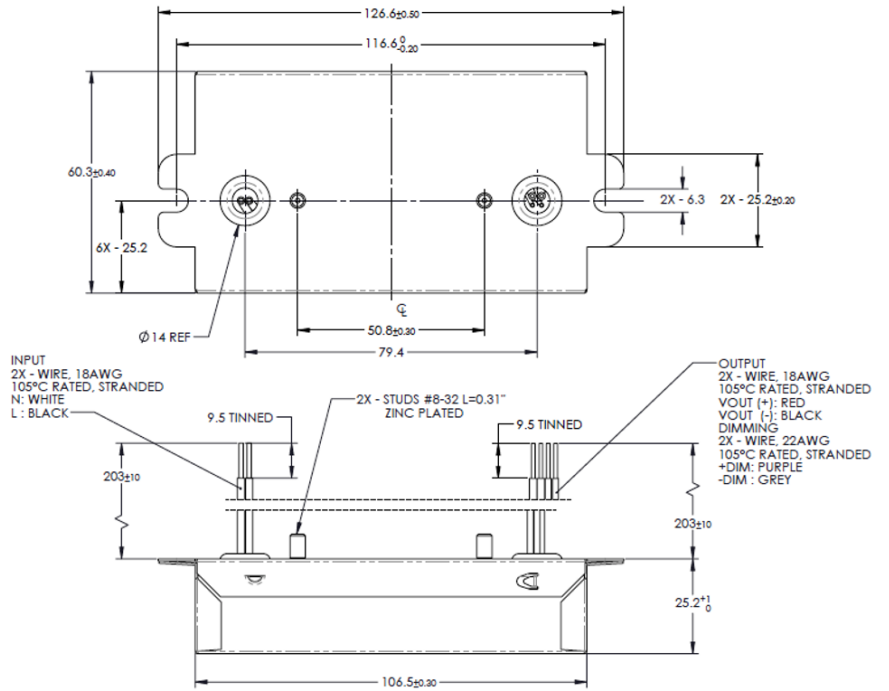
<b>DATE OF APPROVAL</b>	01/25/2021
-------------------------	------------

## ELM, ESM, EVB, EVM Series

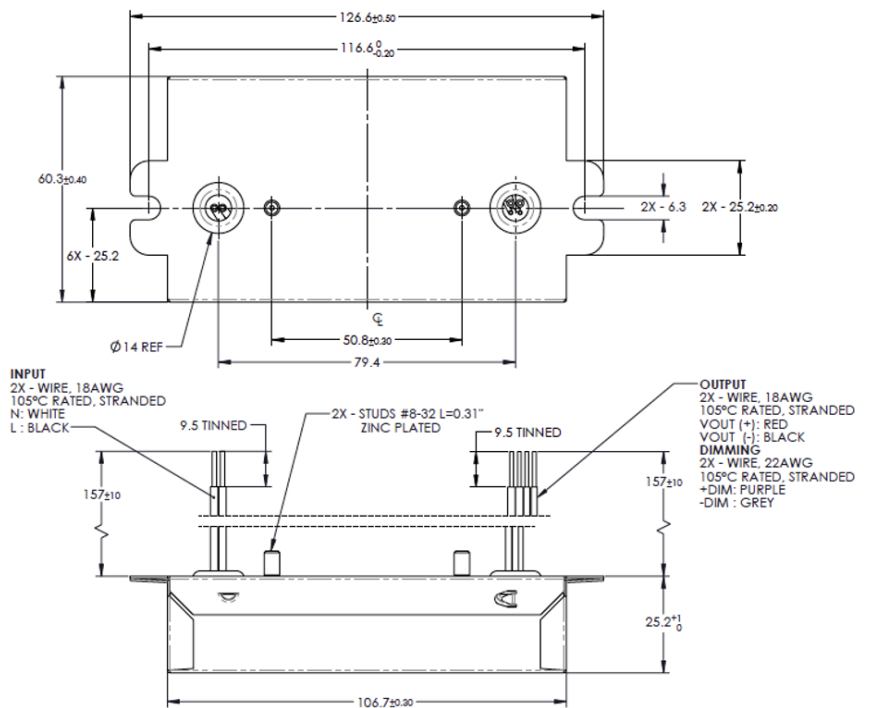
### Part Numbers:

ELM030W-0500-42-CPL	ESM020W-0400-50-ABL6
ELM030W-0550-41-CPL	ESM030W-0450-50-ABL6
ELM030W-0700-42-CPL	ESM030W-0500-42-RAB
ELM040W-0900-42-CPL	ESM030W-0550-42-CPL1
ELM050W-1050-42-CPL	ESM030W-0600-50-ABL6
ELM050W-1200-42-CPL	ESM030W-0700-42-RAB
ESM020W-0280-42	ESM030W-0700-42-RAB
ESM020W-0350-42	ESM030W-1750-14-RAB
ESM020W-0350-42-Z1	ESM040W-0700-50-ABL6
ESM020W-0400-42	ESM040W-0800-42-CPL1
ESM020W-0440-25	ESM040W-0900-42-RAB
ESM020W-0440-34	ESM040W-0940-42-CPL3
ESM030W-0500-42	ESM050W-0950-50-ABL6
ESM030W-0550-42	ESM050W-1050-42-CPL1
ESM030W-0550-42	ESM060W-1050-54-ABL6
ESM030W-0700-42	EVB100W-4100S-24-NOB
ESM030W-0700-42	EVM080W-1900-42
ESM030W-0700-42-Z1	EVM090W-1050-84
ESM030W-0900-26	EVM090W-2000-42
ESM040W-0800-42	EVM090W-2000-42-S
ESM040W-0900-42	EVM100W-2100-45
ESM040W-0940-43	EVM100W-2350-42
ESM050W-1050-42	EVM120W-2700-42
ESM050W-1200-42	EVM060W-1400-42-CPL1
ESM050W-1400-34	EVM060W-1400-42-CPL2
ESM060W-1400-42	EVM060W-1400-42-Z1B
ESM010W-0150-50-ABL6	EVM080W-1750-42-CPL1
ESM010W-0200-50-ABL6	EVM080W-1900-42-END5
ESM020W-0350-42-CPL1	EVM090W-1700-48-N1B
ESM020W-0350-42-RAB	EVM090W-2000-42-Z1B

### Current Wire Length



### New Wire Length



DATE OF APPROVAL

01/25/2021

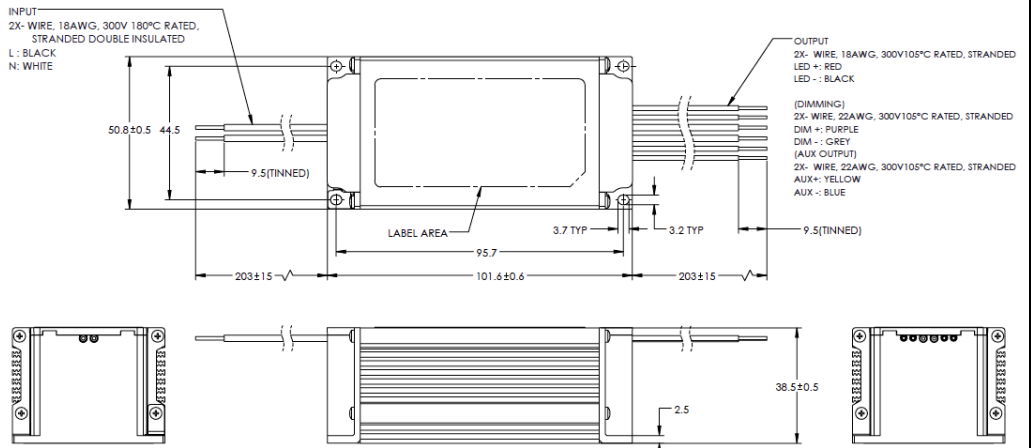
FORM-ENG-013

## SLM, TLM Series

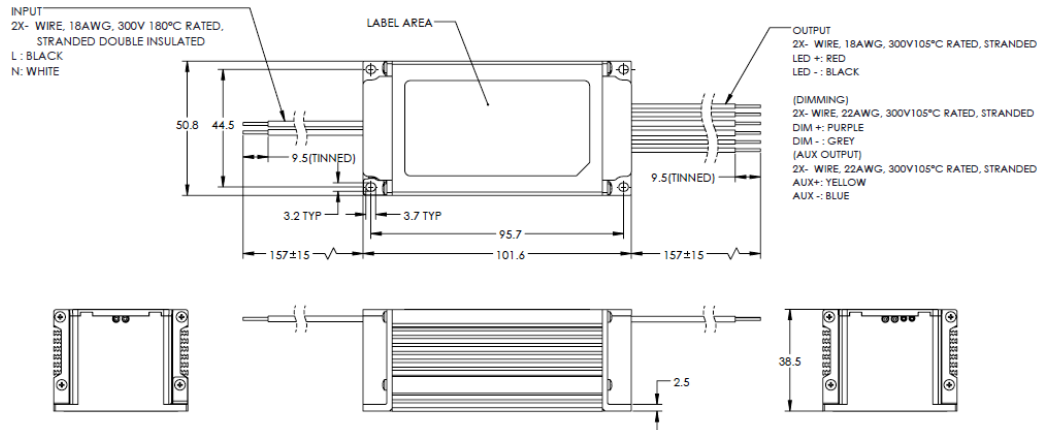
### Part Numbers:

SLM090W-1.05-84-ZA
SLM090W-2.1-42-TC
SLM100W-1.7-56-TA
SLM120W-2.0-56-TA-ISO
SLM140W-1.05-130-ZA
SLM160W-1.0-160-ZA
SLM160W-2.8-56-ZA
SLM160W-3.9-40-ZA
TLM090W-2.1-42
TLM160W-1.8-85

### Current Wire Length



### New Wire Length



DATE OF APPROVAL

01/25/2021

FORM-ENG-013

## Appendix A

Below is the list of all standard ERP part numbers affected by this product change notification.

CDB260W-0860-400-R	JVLM100W-24	SLM160W-3.9-40-ZA
CDB260W-0860-400-W	JVLM60W-12	TLM090W-2.1-42
CDB260W-1300-280-R	JVLM60W-24	TLM160W-1.8-85
CDB260W-1300-280-W	JVLM60W-48	VLB260W-12
CDB260W-1700-210-R	PDB260W-0860-400	VLB260W-24
CDB260W-1700-210-W	PDB260W-1300-280	VLB260W-48
CNB30W-0600-42-SIL	PDB260W-1700-210	VLM100E-12
CNB50W-1200-42-SIL	PHB30W-0500-42	VLM100E-24
ERM050W-1800-28	PHB30W-0500-42-S	VLM100E-48
ERM060W-1400-42	PHB30W-0700-42	VLM100W-12
ERM060W-1600-42	PHB30W-0700-42-S	VLM100W-12-S
ERM060W-1750-40	PHB50W-0850-56	VLM100W-24
ERM060W-2100-28	PHB50W-0850-56-S	VLM100W-24-S
ESM020W-0280-42	PHB50W-1200-42	VLM100W-36
ESM020W-0350-42	PHB50W-1200-42-S	VLM100W-48
ESM020W-0350-42-Z1	PLB15W-0300-38	VLM100W-48-S
ESM020W-0400-42	PLB30W-0600-38	VLM40W-12
ESM020W-0440-25	PLB50W-1200-38	VLM40W-12-S
ESM020W-0440-34	PNTC260W-1700-210	VLM40W-24
ESM030W-0500-42	PSB30E-0700-42	VLM40W-24-S
ESM030W-0550-42	PSB30W-0700-34-S	VLM40W-48
ESM030W-0550-42	PSB30W-0700-42	VLM40W-48-S
ESM030W-0700-42	PSB30W-0700-42-S	VLM60E-12
ESM030W-0700-42	PSB30W-1050-27	VLM60E-24
ESM030W-0700-42-Z1	PSB30W-1050-27-S	VLM60E-48
ESM030W-0900-26	PSB50E-1200-42	VLM60W-12
ESM040W-0800-42	PSB50W-0550-85-S	VLM60W-12-S
ESM040W-0900-42	PSB50W-0850-56	VLM60W-24
ESM040W-0940-43	PSB50W-0850-56-S	VLM60W-24-S
ESM050W-1050-42	PSB50W-1200-42	VLM60W-48
ESM050W-1200-42	PSB50W-1200-42-S	VLM60W-48-S
ESM050W-1400-34	PSB50W-1400-34	VZM060W-24
ESM060W-1400-42	PSB50W-1400-34-S	VZM060W-48
EVM080W-1900-42	SLM090W-1.05-84-ZA	VZM100W-24
EVM090W-1050-84	SLM090W-2.1-42-TC	VZM100W-48
EVM090W-2000-42	SLM100W-1.7-56-TA	
EVM090W-2000-42-S	SLM120W-2.0-56-TA	
EVM100W-2100-45	SLM140W-1.05-130-ZA	
EVM100W-2350-42	SLM160W-1.0-160-ZA	
EVM120W-2700-42	SLM160W-2.8-56-ZA	

## Appendix B

Below is the list of all custom ERP part numbers affected by this product change notification.

CNB30W-0600-42-SILF	ESM040W-0940-42-CPL3	VLM40W-24-LMJ
CNB50W-1200-42-SILF	ESM050W-0950-50-ABL6	VLM40W-48-CST
DHB05W-0080-36-ETN1	ESM050W-1050-42-CPL1	VLM60W-12-KTL
DHB10W-0180-36-ETN1	ESM060W-1050-54-ABL6	VLM60W-12-MRA
DHB10W-0225-38-ETN1	EVB100W-4100S-24-NOB	VLM60W-24-CST
DHB10W-0250-38-ETN1	EVM060W-1400-42-CPL1	VLM60W-24-KTL
DHB15W-0300-38-ETN1	EVM060W-1400-42-CPL2	VLM60W-24-TCL
DSB20W-0500-38-ETN2	EVM060W-1400-42-Z1B	VLM60W-48-CST
DSB30W-0750-40-ETN2	EVM080W-1750-42-CPL1	VLM60W-48-KTL
DSB50W-1040-40-ETN2	EVM080W-1900-42-END5	VZM060W-24-KIC
DTB050W-1200-42-ABL	EVM090W-1700-48-N1B	VZM100W-24-FLX
DTB050W-1250-40-ETN2	EVM090W-2000-42-Z1B	VZM100W-24-FLX
DTB060W-1040-58-ETN2	JVLM100W-24-KTL	VZM100W-24-KIC
DTB060W-1400-42-ETN2	JVLM60W-12-KTL	VZM100W-24-KIC
DTB070W-1200-58-ETN2	PHB30W-0500-42-ETN1	
DTB070W-1600-42-ABL	PHB30W-0500-42-SLE	
DTB080W-1900-42-ABL	PHB30W-0500-42-SON16	
DTB080W-1900-42-ETN2	PHB30W-0500-42-SON17	
ELM030W-0500-42-CPL	PHB30W-0700-42-ETN1	
ELM030W-0550-41-CPL	PHB30W-0700-42-SLE	
ELM030W-0700-42-CPL	PHB30W-0700-42-SON18	
ELM040W-0900-42-CPL	PHB40W-0700-47-ABL3	
ELM050W-1050-42-CPL	PHB50W-1050-47-ABL3	
ELM050W-1200-42-CPL	PHB50W-1200-42-ETN1	
ERM060W-0700-82-ULP	PHB50W-1200-42-SLE	
ESM010W-0150-50-ABL6	PSB30W-0700-42-ABL3	
ESM010W-0200-50-ABL6	PSB30W-0700-42-RAB	
ESM020W-0350-42-CPL1	PSB30W-0700-42-SPL	
ESM020W-0350-42-RAB	PSB50W-0850-56-RAB	
ESM020W-0400-50-ABL6	PSB50W-1200-42-ABL3	
ESM030W-0450-50-ABL6	PSB50W-1200-42-RAB	
ESM030W-0500-42-RAB	VLB260W-24-CST	
ESM030W-0550-42-CPL1	VLB260W-48-CST	
ESM030W-0600-50-ABL6	VLM100W-12-KTL	
ESM030W-0700-42-RAB	VLM100W-24-CST	
ESM030W-0700-42-RAB	VLM100W-24-KTL	
ESM030W-1750-14-RAB	VLM100W-24-LEL	
ESM040W-0700-50-ABL6	VLM100W-24-LMP	
ESM040W-0800-42-CPL1	VLM100W-48-CST	
ESM040W-0900-42-RAB	VLM100W-48-KTL	