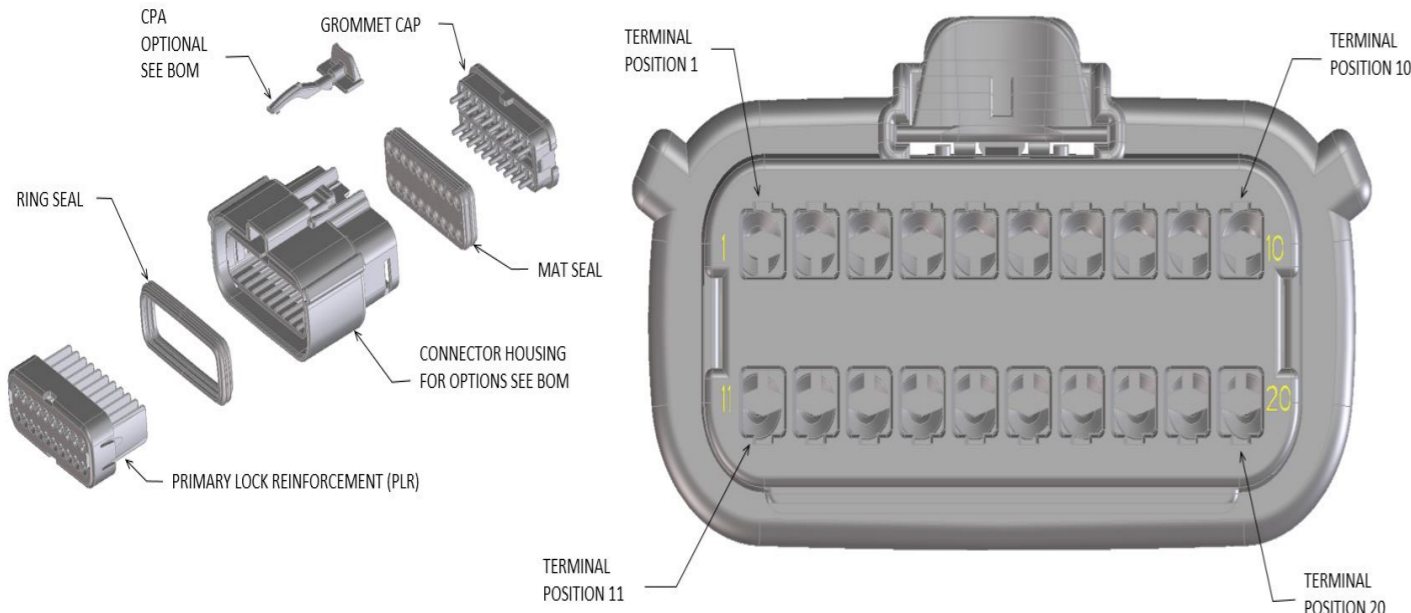


BOM AND PIN OUT SHEET



| ABBREVIATION | DESCRIPTION | COLOR | MATERIAL |
|-------------------|--|------------|--------------------------------|
| A-BLACK | HOUSING, KEYING OPTION A | BLACK | SPS/NYLON GF20 |
| B-LIGHT GRAY | HOUSING, KEYING OPTION B | LIGHT GRAY | SPS/NYLON GF20 |
| C-BROWN | HOUSING, KEYING OPTION C | BROWN | SPS/NYLON GF20 |
| D-GREEN | HOUSING, KEYING OPTION D | GREEN | SPS/NYLON GF20 |
| C-DARK GRAY | HOUSING, KEYING OPTION C | DARK GRAY | SPS/NYLON GF20 |
| D-STONE GRAY | HOUSING, KEYING OPTION D | STONE GRAY | SPS/NYLON GF20 |
| A-YELLOW | HOUSING, KEYING OPTION A | YELLOW | SPS/NYLON GF20 |
| A-BLACK-CLIP | HOUSING, KEYING OPTION A WITH CLIPSLOT | BLACK | SPS/NYLON GF20 |
| B-LIGHT GRAY-CLIP | HOUSING, KEYING OPTION B WITH CLIPSLOT | LIGHT GRAY | SPS/NYLON GF20 |
| C-DARK GRAY-CLIP | HOUSING, KEYING OPTION C WITH CLIPSLOT | DARK GRAY | SPS/NYLON GF20 |
| D-STONE GRAY-CLIP | HOUSING, KEYING OPTION D WITH CLIPSLOT | STONE GRAY | SPS/NYLON GF20 |
| A-YELLOW-CLIP | HOUSING, KEYING OPTION A WITH CLIPSLOT | YELLOW | SPS/NYLON GF20 |
| B-YELLOW-CLIP | HOUSING, KEYING OPTION B WITH CLIPSLOT | YELLOW | SPS/NYLON GF20 |
| GCP | GROMMET CAP (PLUGGED) | BLACK | SPS/NYLON GF20 |
| GCO | GROMMET CAP (OPEN) | BLACK | SPS/NYLON GF20 |
| PLR | PLR | NATURAL | SPS/NYLON GF20 |
| CPA | CPA | RED | PBT GF30 |
| M | MAT SEAL | LIGHT BLUE | INHERENTLY LUBRICATED SILICONE |
| R | RING SEAL | GREEN | INHERENTLY LUBRICATED SILICONE |

FOR ADDITIONAL INFORMATION SEE SD-33472-0001

| ASSEMBLY DESCRIPTION | ASSEMBLY PART NUMBER | COMPONENT | | | | | | BLOCKED TERMINALS | | | | | | | | | | STATUS | COMMENT | OPTIONAL ATTACHMENTS SOLD SEPARATELY | | | | | | | | | | | | |
|-------------------------------------|----------------------|--|-------------|-----|-----|----------|-----------|--|---|---|---|---|---|---|---|---|----|--------|---------|--------------------------------------|------------------------|-----------------------|--------------------------|----|----|----|-----------------|---------------|------------|------------|------------|------------|
| | | THE PRESENCE OF AN ABBREVIATION INDICATES THE PRESENCE OF THAT COMPONENT | | | | | | CAVITY WITH A NUMBER INDICATES BLOCKED TERMINAL POSITION CAVITY WITHOUT A NUMBER INDICATES OPEN TERMINAL POSITION | | | | | | | | | | | | BACKSHELL WITH RIBS | BACKSHELL WITHOUT RIBS | 90° ADAPTOR WITH RIBS | 90° ADAPTOR WITHOUT RIBS | | | | | | | | | |
| | | HOUSING KEY/COLOR | GROMMET CAP | PLR | CPA | MAT SEAL | RING SEAL | 1 | 2 | 3 | 4 | 5 | 6 | 7 | 8 | 9 | 10 | | | | | | | 11 | 12 | 13 | 14 | 15 | 16 | 17 | 18 | 19 |
| KEY B, YELLOW, WITH CLIPSLOT, W/CPA | 334720200 | B-YELLOW-CLIP | GCO | PLR | CPA | M | R | - | - | - | - | - | - | - | - | - | - | - | - | - | - | - | - | - | - | - | NOT RECOMMENDED | | 34951-2011 | 34951-2021 | 34951-1631 | 34951-1641 |
| KEY B, YELLOW, WITH CLIPSLOT, W/CPA | 334720201 | B-YELLOW-CLIP | GCP | PLR | CPA | M | R | 1 | - | 3 | - | 5 | - | - | - | - | - | - | - | - | - | - | - | - | - | - | SALEABLE | | 34951-2011 | 34951-2021 | 34951-1631 | 34951-1641 |
| MX150 ASSY RCP 2X10 BK A/20 | 334722001 | A-BLACK | GCO | PLR | | M | R | - | - | - | - | - | - | - | - | - | - | - | - | - | - | - | - | - | - | - | SALEABLE | | N/A | N/A | N/A | N/A |
| MX150 ASSY RCP 2X10 LG B/20 | 334722002 | B-LIGHT GRAY | GCO | PLR | | M | R | - | - | - | - | - | - | - | - | - | - | - | - | - | - | - | - | - | - | - | SALEABLE | | N/A | N/A | N/A | N/A |
| MX150 ASSY RCP 2X10 BR C/20 | 334722003 | C-BROWN | GCO | PLR | | M | R | - | - | - | - | - | - | - | - | - | - | - | - | - | - | - | - | - | - | - | NOT RECOMMENDED | SEE 334722060 | N/A | N/A | N/A | N/A |
| MX150 ASSY RCP 2X10 GR D/20 | 334722004 | D-GREEN | GCO | PLR | | M | R | - | - | - | - | - | - | - | - | - | - | - | - | - | - | - | - | - | - | - | NOT RECOMMENDED | SEE 334722061 | N/A | N/A | N/A | N/A |
| MX150 ASSY RCP 2X10 CPA BK A/20 | 334722006 | A-BLACK | GCO | PLR | CPA | M | R | - | - | - | - | - | - | - | - | - | - | - | - | - | - | - | - | - | - | - | SALEABLE | | N/A | N/A | N/A | N/A |
| MX150 ASSY RCP 2X10 CPA LG B/20 | 334722007 | B-LIGHT GRAY | GCO | PLR | CPA | M | R | - | - | - | - | - | - | - | - | - | - | - | - | - | - | - | - | - | - | - | SALEABLE | | N/A | N/A | N/A | N/A |
| MX150 ASSY RCP 2X10 CPA BR C/20 | 334722008 | C-BROWN | GCO | PLR | CPA | M | R | - | - | - | - | - | - | - | - | - | - | - | - | - | - | - | - | - | - | - | NOT RECOMMENDED | SEE 334722062 | N/A | N/A | N/A | N/A |
| MX150 ASSY RCP 2X10 CPA GR D/20 | 334722009 | D-GREEN | GCO | PLR | CPA | M | R | - | - | - | - | - | - | - | - | - | - | - | - | - | - | - | - | - | - | - | NOT RECOMMENDED | SEE 334722063 | N/A | N/A | N/A | N/A |
| MX150 ASSY RCP 2X10 CPA BK A/19 | 334722011 | A-BLACK | GCP | PLR | CPA | M | R | - | - | - | - | - | - | - | - | - | - | - | - | - | - | - | - | - | - | - | SALEABLE | | N/A | N/A | N/A | N/A |
| MX150 ASSY RCP 2X10 BK A/19 | 334722012 | A-BLACK | GCP | PLR | | M | R | - | - | - | - | - | - | - | - | - | - | - | - | - | - | - | - | - | - | - | SALEABLE | | N/A | N/A | N/A | N/A |
| MX150 ASSY RCP 2X10 BK A/12 | 334722013 | A-BLACK | GCP | PLR | | M | R | - | - | - | 4 | 5 | 6 | 7 | - | - | - | - | - | - | - | - | - | - | - | - | SALEABLE | | N/A | N/A | N/A | N/A |
| MX150 ASSY RCP 2X10 BK A/18 | 334722014 | A-BLACK | GCP | PLR | | M | R | - | - | - | - | - | - | 7 | - | - | - | - | - | - | - | - | - | - | - | - | SALEABLE | | N/A | N/A | N/A | N/A |
| MX150 ASSY RCP 2X10 CPA BK A/15 | 334722015 | A-BLACK | GCP | PLR | CPA | M | R | - | 2 | - | - | - | - | - | - | - | - | 9 | - | - | - | - | - | - | - | - | SALEABLE | | N/A | N/A | N/A | N/A |

| ASSEMBLY DESCRIPTION | ASSEMBLY PART NUMBER | COMPONENT | | | | | | BLOCKED TERMINALS | | | | | | | | STATUS | COMMENT | OPTIONAL ATTACHMENTS SOLD SEPARATELY | | | | | |
|---------------------------------|----------------------|--|-------------|-----|-----|----------|-----------|--|----|----|----|----|----|----|----|--------|---------|--------------------------------------|------------------------|-----------------------|--------------------------|-----|-----|
| | | THE PRESENCE OF AN ABBREVIATION INDICATES THE PRESENCE OF THAT COMPONENT | | | | | | CAVITY WITH A NUMBER INDICATES BLOCKED TERMINAL POSITION CAVITY WITHOUT A NUMBER INDICATES OPEN TERMINAL POSITION | | | | | | | | | | BACKSHELL WITH RIBS | BACKSHELL WITHOUT RIBS | 90° ADAPTOR WITH RIBS | 90° ADAPTOR WITHOUT RIBS | | |
| | | HOUSING KEY/COLOR | GROMMET CAP | PLR | CPA | MAT SEAL | RING SEAL | | | | | | | | | | | | | | | | |
| MX150 ASSY RCP 2X10 CPA BK A/16 | 334722016 | A-BLACK | GCP | PLR | CPA | M | R | - | - | 3 | - | - | - | - | - | 9 | - | SALEABLE | | N/A | N/A | N/A | N/A |
| MX150 ASSY RCP 2X10 CPA BK A/15 | 334722017 | A-BLACK | GCP | PLR | CPA | M | R | - | - | 13 | - | - | - | - | - | 9 | - | SALEABLE | | N/A | N/A | N/A | N/A |
| MX150 ASSY RCP 2X10 CPA BK A/16 | 334722018 | A-BLACK | GCP | PLR | CPA | M | R | 11 | - | 13 | - | 15 | 16 | - | - | - | - | SALEABLE | | N/A | N/A | N/A | N/A |
| MX150 ASSY RCP 2X10 CPA BK A/17 | 334722019 | A-BLACK | GCP | PLR | CPA | M | R | 1 | 2 | - | - | - | - | - | - | - | - | SALEABLE | | N/A | N/A | N/A | N/A |
| MX150 ASSY RCP 2X10 CPA BK A/14 | 334722020 | A-BLACK | GCP | PLR | CPA | M | R | 11 | 12 | - | - | - | - | - | - | - | 10 | SALEABLE | | N/A | N/A | N/A | N/A |
| MX150 ASSY RCP 2X10 CPA BK A/12 | 334722021 | A-BLACK | GCP | PLR | CPA | M | R | 1 | 2 | - | - | - | - | - | - | - | 10 | SALEABLE | | N/A | N/A | N/A | N/A |
| MX150 ASSY RCP 2X10 CPA BK A/18 | 334722022 | A-BLACK | GCP | PLR | CPA | M | R | 11 | 12 | 13 | 14 | - | - | - | - | - | 20 | SALEABLE | | N/A | N/A | N/A | N/A |
| MX150 ASSY RCP 2X10 CPA BK A/17 | 334722023 | A-BLACK | GCP | PLR | CPA | M | R | - | - | - | - | - | - | - | - | - | - | SALEABLE | | N/A | N/A | N/A | N/A |
| MX150 ASSY RCP 2X10 CPA BK A/16 | 334722024 | A-BLACK | GCP | PLR | CPA | M | R | - | - | - | - | - | - | - | - | - | - | SALEABLE | | N/A | N/A | N/A | N/A |
| MX150 ASSY RCP 2X10 CPA BK A/14 | 334722025 | A-BLACK | GCP | PLR | CPA | M | R | - | - | 3 | 4 | 5 | - | - | - | - | - | SALEABLE | | N/A | N/A | N/A | N/A |
| MX150 ASSY RCP 2X10 CPA BK A/15 | 334722026 | A-BLACK | GCP | PLR | CPA | M | R | 11 | - | - | - | - | 16 | 17 | - | - | - | SALEABLE | | N/A | N/A | N/A | N/A |
| MX150 ASSY RCP 2X10 CPA BK A/14 | 334722027 | A-BLACK | GCP | PLR | CPA | M | R | - | - | 3 | 4 | 5 | - | - | - | - | 10 | SALEABLE | | N/A | N/A | N/A | N/A |
| MX150 ASSY RCP 2X10 CPA BK A/10 | 334722028 | A-BLACK | GCP | PLR | CPA | M | R | - | - | - | 14 | - | - | - | - | - | - | SALEABLE | | N/A | N/A | N/A | N/A |
| MX150 ASSY RCP 2X10 CPA BK A/12 | 334722029 | A-BLACK | GCP | PLR | CPA | M | R | 11 | - | - | 14 | - | 16 | 17 | 18 | 19 | 20 | SALEABLE | | N/A | N/A | N/A | N/A |
| MX150 ASSY RCP 2X10 CPA BK A/13 | 334722030 | A-BLACK | GCP | PLR | CPA | M | R | - | - | 3 | 4 | 5 | - | - | - | - | 10 | SALEABLE | | N/A | N/A | N/A | N/A |
| MX150 ASSY RCP 2X10 CPA BK A/14 | 334722031 | A-BLACK | GCP | PLR | CPA | M | R | - | - | - | 14 | - | - | 17 | - | 19 | - | SALEABLE | | N/A | N/A | N/A | N/A |
| MX150 ASSY RCP 2X10 CPA BK A/15 | 334722032 | A-BLACK | GCP | PLR | CPA | M | R | - | - | - | - | - | - | - | - | - | 10 | SALEABLE | | N/A | N/A | N/A | N/A |
| MX150 ASSY RCP 2X10 CPA BK A/13 | 334722033 | A-BLACK | GCP | PLR | CPA | M | R | - | 12 | 13 | 14 | - | - | - | - | 19 | - | SALEABLE | | N/A | N/A | N/A | N/A |
| MX150 ASSY RCP 2X10 CPA BK A/19 | 334722034 | A-BLACK | GCP | PLR | CPA | M | R | - | - | 3 | 4 | - | - | - | - | - | - | SALEABLE | | N/A | N/A | N/A | N/A |
| MX150 ASSY RCP 2X10 CPA BK A/11 | 334722035 | A-BLACK | GCP | PLR | CPA | M | R | 11 | - | - | - | - | - | - | - | - | - | SALEABLE | | N/A | N/A | N/A | N/A |
| MX150 ASSY RCP 2X10 CPA BK A/13 | 334722036 | A-BLACK | GCP | PLR | CPA | M | R | 1 | 2 | - | - | - | - | - | - | - | 10 | SALEABLE | | N/A | N/A | N/A | N/A |
| MX150 ASSY RCP 2X10 CPA BK A/13 | 334722037 | A-BLACK | GCP | PLR | CPA | M | R | 11 | 12 | 13 | 14 | 15 | - | - | - | - | 20 | SALEABLE | | N/A | N/A | N/A | N/A |
| MX150 ASSY RCP 2X10 CPA BK A/14 | 334722038 | A-BLACK | GCP | PLR | CPA | M | R | - | - | - | - | - | - | - | - | - | 10 | SALEABLE | | N/A | N/A | N/A | N/A |
| MX150 ASSY RCP 2X10 CPA BK A/15 | 334722039 | A-BLACK | GCP | PLR | CPA | M | R | 11 | 12 | 13 | 14 | - | - | - | - | - | 20 | SALEABLE | | N/A | N/A | N/A | N/A |
| MX150 ASSY RCP 2X10 CPA BK A/12 | 334722040 | A-BLACK | GCP | PLR | CPA | M | R | - | - | - | - | - | - | - | - | - | 10 | SALEABLE | | N/A | N/A | N/A | N/A |
| MX150 ASSY RCP 2X10 CPA BK A/10 | 334722041 | A-BLACK | GCP | PLR | CPA | M | R | 11 | 12 | - | - | 15 | 16 | 17 | - | - | 20 | SALEABLE | | N/A | N/A | N/A | N/A |
| MX150 ASSY RCP 2X10 CPA BK A/15 | 334722042 | A-BLACK | GCP | PLR | CPA | M | R | - | - | 3 | - | - | - | - | - | - | - | SALEABLE | | N/A | N/A | N/A | N/A |
| | | | | | | | | - | - | - | - | 15 | 16 | 17 | - | - | 20 | | | | | | |

| ASSEMBLY DESCRIPTION | ASSEMBLY PART NUMBER | COMPONENT | | | | | | BLOCKED TERMINALS | | | | | | | | STATUS | COMMENT | OPTIONAL ATTACHMENTS SOLD SEPARATELY | | | | | |
|---------------------------------|----------------------|--|-------------|-----|-----|----------|-----------|--|---|---|---|---|---|---|---|--------|---------|--------------------------------------|------------------------|-----------------------|--------------------------|-----|-----|
| | | THE PRESENCE OF AN ABBREVIATION INDICATES THE PRESENCE OF THAT COMPONENT | | | | | | CAVITY WITH A NUMBER INDICATES BLOCKED TERMINAL POSITION CAVITY WITHOUT A NUMBER INDICATES OPEN TERMINAL POSITION | | | | | | | | | | BACKSHELL WITH RIBS | BACKSHELL WITHOUT RIBS | 90° ADAPTOR WITH RIBS | 90° ADAPTOR WITHOUT RIBS | | |
| | | HOUSING KEY/COLOR | GROMMET CAP | PLR | CPA | MAT SEAL | RING SEAL | 1 | 2 | 3 | 4 | 5 | - | - | - | | | | | | | - | - |
| MX150 ASSY RCP 2X10 CPA BK A/11 | 334722043 | A-BLACK | GCP | PLR | CPA | M | R | 1 | 2 | 3 | 4 | 5 | - | - | - | - | - | SALEABLE | | N/A | N/A | N/A | N/A |
| MX150 ASSY RCP 2X10 CPA BK A/14 | 334722044 | A-BLACK | GCP | PLR | CPA | M | R | 1 | 2 | 3 | 4 | 5 | - | - | - | - | - | SALEABLE | | N/A | N/A | N/A | N/A |
| MX150 ASSY RCP 2X10 CPA BK A/12 | 334722045 | A-BLACK | GCP | PLR | CPA | M | R | 1 | 2 | 3 | 4 | 5 | - | - | - | - | - | SALEABLE | | N/A | N/A | N/A | N/A |
| MX150 ASSY RCP 2X10 CPA BK A/9 | 334722046 | A-BLACK | GCP | PLR | CPA | M | R | 1 | 2 | 3 | 4 | 5 | - | - | - | - | - | SALEABLE | | N/A | N/A | N/A | N/A |
| MX150 ASSY RCP 2X10 CPA BK A/13 | 334722047 | A-BLACK | GCP | PLR | CPA | M | R | 1 | 2 | 3 | 4 | 5 | - | - | - | - | - | SALEABLE | | N/A | N/A | N/A | N/A |
| MX150 ASSY RCP 2X10 CPA BK A/16 | 334722048 | A-BLACK | GCP | PLR | CPA | M | R | 1 | 2 | 3 | 4 | 5 | - | - | - | - | - | SALEABLE | | N/A | N/A | N/A | N/A |
| MX150 ASSY RCP 2X10 CPA BK A/14 | 334722049 | A-BLACK | GCP | PLR | CPA | M | R | 1 | 2 | 3 | 4 | 5 | - | - | - | - | - | SALEABLE | | N/A | N/A | N/A | N/A |
| MX150 ASSY RCP 2X10 CPA BK A/11 | 334722050 | A-BLACK | GCP | PLR | CPA | M | R | 1 | 2 | 3 | 4 | 5 | - | - | - | - | - | SALEABLE | | N/A | N/A | N/A | N/A |
| MX150 ASSY RCP 2X10 CPA BK A/11 | 334722051 | A-BLACK | GCP | PLR | CPA | M | R | 1 | 2 | 3 | 4 | 5 | - | - | - | - | - | SALEABLE | | N/A | N/A | N/A | N/A |
| MX150 ASSY RCP 2X10 CPA BK A/14 | 334722052 | A-BLACK | GCP | PLR | CPA | M | R | 1 | 2 | 3 | 4 | 5 | - | - | - | - | - | SALEABLE | | N/A | N/A | N/A | N/A |
| MX150 ASSY RCP 2X10 CPA BK A/13 | 334722053 | A-BLACK | GCP | PLR | CPA | M | R | 1 | 2 | 3 | 4 | 5 | - | - | - | - | - | SALEABLE | | N/A | N/A | N/A | N/A |
| MX150 ASSY RCP 2X10 CPA BK A/16 | 334722054 | A-BLACK | GCP | PLR | CPA | M | R | 1 | 2 | 3 | 4 | 5 | - | - | - | - | - | SALEABLE | | N/A | N/A | N/A | N/A |
| MX150 ASSY RCP 2X10 CPA BK A/16 | 334722055 | A-BLACK | GCP | PLR | CPA | M | R | 1 | 2 | 3 | 4 | 5 | - | - | - | - | - | SALEABLE | | N/A | N/A | N/A | N/A |
| MX150 ASSY RCP 2X10 CPA BK A/18 | 334722056 | A-BLACK | GCP | PLR | CPA | M | R | 1 | 2 | 3 | 4 | 5 | - | - | - | - | - | SALEABLE | | N/A | N/A | N/A | N/A |
| MX150 ASSY RCP 2X10 BK A/14 | 334722057 | A-BLACK | GCP | PLR | | M | R | 1 | 2 | 3 | 4 | 5 | - | - | - | - | - | SALEABLE | | N/A | N/A | N/A | N/A |
| MX150 ASSY RCP 2X10 CPA BK A/16 | 334722058 | A-BLACK | GCP | PLR | CPA | M | R | 1 | 2 | 3 | 4 | 5 | - | - | - | - | - | SALEABLE | | N/A | N/A | N/A | N/A |
| MX150 ASSY RCP 2X10 BK A/16 | 334722059 | A-BLACK | GCP | PLR | | M | R | 1 | 2 | 3 | 4 | 5 | - | - | - | - | - | SALEABLE | | N/A | N/A | N/A | N/A |
| MX150 ASSY RCP 2X10 DG C/20 | 334722060 | C-DARK GRAY | GCO | PLR | | M | R | 1 | 2 | 3 | 4 | 5 | - | - | - | - | - | SALEABLE | | N/A | N/A | N/A | N/A |
| MX150 ASSY RCP 2X10 SG D/20 | 334722061 | D-STONE GRAY | GCO | PLR | | M | R | 1 | 2 | 3 | 4 | 5 | - | - | - | - | - | SALEABLE | | N/A | N/A | N/A | N/A |
| MX150 ASSY RCP 2X10 CPA DG C/20 | 334722062 | C-DARK GRAY | GCO | PLR | CPA | M | R | 1 | 2 | 3 | 4 | 5 | - | - | - | - | - | SALEABLE | | N/A | N/A | N/A | N/A |
| MX150 ASSY RCP 2X10 CPA SG D/20 | 334722063 | D-STONE GRAY | GCO | PLR | CPA | M | R | 1 | 2 | 3 | 4 | 5 | - | - | - | - | - | SALEABLE | | N/A | N/A | N/A | N/A |
| MX150 ASSY RCP 2X10 BK A/15 | 334722064 | A-BLACK | GCP | PLR | | M | R | 1 | 2 | 3 | 4 | 5 | - | - | - | - | - | SALEABLE | | N/A | N/A | N/A | N/A |
| MX150 ASSY RCP 2X10 BK A/13 | 334722065 | A-BLACK | GCP | PLR | | M | R | 1 | 2 | 3 | 4 | 5 | - | - | - | - | - | SALEABLE | | N/A | N/A | N/A | N/A |
| MX150 ASSY RCP 2X10 BK A/12 | 334722066 | A-BLACK | GCP | PLR | | M | R | 1 | 2 | 3 | 4 | 5 | - | - | - | - | - | SALEABLE | | N/A | N/A | N/A | N/A |
| MX150 ASSY RCP 2X10 BK A/13 | 334722067 | A-BLACK | GCP | PLR | | M | R | 1 | 2 | 3 | 4 | 5 | - | - | - | - | - | SALEABLE | | N/A | N/A | N/A | N/A |
| MX150 ASSY RCP 2X10 BK A/12 | 334722068 | A-BLACK | GCP | PLR | | M | R | 1 | 2 | 3 | 4 | 5 | - | - | - | - | - | SALEABLE | | N/A | N/A | N/A | N/A |
| MX150 ASSY RCP 2X10 BK A/11 | 334722069 | A-BLACK | GCP | PLR | | M | R | 1 | 2 | 3 | 4 | 5 | - | - | - | - | - | SALEABLE | | N/A | N/A | N/A | N/A |

| ASSEMBLY DESCRIPTION | ASSEMBLY PART NUMBER | COMPONENT | | | | | | BLOCKED TERMINALS | | | | | | | | STATUS | COMMENT | OPTIONAL ATTACHMENTS SOLD SEPARATELY | | | | | |
|---------------------------------|----------------------|--|-------------|-----|-----|----------|-----------|--|----|----|----|----|----|----|----|--------|---------|--------------------------------------|------------------------|-----------------------|--------------------------|-----|-----|
| | | THE PRESENCE OF AN ABBREVIATION INDICATES THE PRESENCE OF THAT COMPONENT | | | | | | CAVITY WITH A NUMBER INDICATES BLOCKED TERMINAL POSITION CAVITY WITHOUT A NUMBER INDICATES OPEN TERMINAL POSITION | | | | | | | | | | BACKSHELL WITH RIBS | BACKSHELL WITHOUT RIBS | 90° ADAPTOR WITH RIBS | 90° ADAPTOR WITHOUT RIBS | | |
| | | HOUSING KEY/COLOR | GROMMET CAP | PLR | CPA | MAT SEAL | RING SEAL | 1 | 2 | 3 | 4 | 5 | 6 | 7 | 8 | | | | | | | 9 | 10 |
| MX150 ASSY RCP 2X10 BK A/10 | 334722070 | A-BLACK | GCP | PLR | | M | R | - | - | 3 | - | - | 6 | 7 | - | - | 10 | SALEABLE | | N/A | N/A | N/A | N/A |
| | | | | | | | | - | - | 13 | 14 | - | - | 17 | 18 | 19 | 20 | | | | | | |
| MX150 ASSY RCP 2X10 BK A/17 | 334722071 | A-BLACK | GCP | PLR | | M | R | - | - | - | 4 | - | - | 7 | - | - | - | SALEABLE | | N/A | N/A | N/A | N/A |
| | | | | | | | | - | - | - | - | - | 16 | - | - | - | - | | | | | | |
| MX150 ASSY RCP 2X10 BK A/8 | 334722072 | A-BLACK | GCP | PLR | | M | R | - | 2 | 3 | 4 | 5 | 6 | 7 | - | - | - | SALEABLE | | N/A | N/A | N/A | N/A |
| | | | | | | | | - | 12 | 13 | 14 | 15 | 16 | 17 | - | - | - | | | | | | |
| MX150 ASSY RCP 2X10 BK A/13 | 334722073 | A-BLACK | GCP | PLR | | M | R | - | - | 3 | 4 | 5 | - | - | - | - | - | SALEABLE | | N/A | N/A | N/A | N/A |
| | | | | | | | | - | - | 13 | - | 15 | - | - | 18 | 19 | - | | | | | | |
| MX150 ASSY RCP 2X10 BK A/14 | 334722074 | A-BLACK | GCP | PLR | | M | R | - | - | - | 4 | 5 | 6 | 7 | - | - | - | SALEABLE | | N/A | N/A | N/A | N/A |
| | | | | | | | | - | - | - | - | - | 16 | 17 | - | - | - | | | | | | |
| MX150 ASSY RCP 2X10 BK A/8 | 334722075 | A-BLACK | GCP | PLR | | M | R | 1 | 2 | 3 | 4 | 5 | 6 | - | 8 | - | 10 | SALEABLE | | N/A | N/A | N/A | N/A |
| | | | | | | | | - | - | - | - | - | - | 17 | 18 | 19 | 20 | | | | | | |
| MX150 ASSY RCP 2X10 BK A/16 | 334722076 | A-BLACK | GCP | PLR | | M | R | - | - | - | - | - | - | - | - | - | - | SALEABLE | | N/A | N/A | N/A | N/A |
| | | | | | | | | - | - | - | - | - | - | 17 | 18 | 19 | 20 | | | | | | |
| MX150 ASSY RCP 2X10 BK A/5 | 334722077 | A-BLACK | GCP | PLR | | M | R | 1 | 2 | 3 | 4 | 5 | 6 | 7 | 8 | 9 | 10 | SALEABLE | | N/A | N/A | N/A | N/A |
| | | | | | | | | - | - | - | - | - | 16 | 17 | 18 | 19 | 20 | | | | | | |
| MX150 ASSY RCP 2X10 BK A/7 | 334722078 | A-BLACK | GCP | PLR | | M | R | 1 | 2 | 3 | 4 | 5 | 6 | - | 8 | - | 10 | SALEABLE | | N/A | N/A | N/A | N/A |
| | | | | | | | | - | - | - | - | - | 16 | 17 | 18 | 19 | 20 | | | | | | |
| MX150 ASSY RCP 2X10 BK A/13 | 334722079 | A-BLACK | GCP | PLR | | M | R | - | 2 | - | - | - | - | - | 8 | - | - | SALEABLE | | N/A | N/A | N/A | N/A |
| | | | | | | | | - | - | - | - | - | 16 | 17 | 18 | 19 | 20 | | | | | | |
| MX150 ASSY RCP 2X10 BK A/15 | 334722080 | A-BLACK | GCP | PLR | | M | R | - | - | - | - | - | - | - | - | - | - | SALEABLE | | N/A | N/A | N/A | N/A |
| | | | | | | | | - | - | - | - | - | 16 | 17 | 18 | 19 | 20 | | | | | | |
| MX150 ASSY RCP 2X10 BK A/6 | 334722081 | A-BLACK | GCP | PLR | | M | R | 1 | 2 | 3 | 4 | 5 | 6 | 7 | 8 | 9 | 10 | SALEABLE | | N/A | N/A | N/A | N/A |
| | | | | | | | | - | - | - | - | - | - | 17 | 18 | 19 | 20 | | | | | | |
| MX150 ASSY RCP 2X10 BK A/14 | 334722082 | A-BLACK | GCP | PLR | | M | R | - | - | - | - | - | - | 7 | - | 9 | - | SALEABLE | | N/A | N/A | N/A | N/A |
| | | | | | | | | - | - | - | - | - | - | 17 | 18 | 19 | 20 | | | | | | |
| MX150 ASSY RCP 2X10 BK A/17 | 334722083 | A-BLACK | GCP | PLR | | M | R | - | - | - | - | - | - | - | - | - | 10 | SALEABLE | | N/A | N/A | N/A | N/A |
| | | | | | | | | - | - | - | - | - | - | 17 | - | 19 | - | | | | | | |
| MX150 ASSY RCP 2X10 BK A/9 | 334722084 | A-BLACK | GCP | PLR | | M | R | 1 | 2 | 3 | 4 | 5 | 6 | 7 | 8 | - | 10 | SALEABLE | | N/A | N/A | N/A | N/A |
| | | | | | | | | - | - | - | - | - | - | 17 | - | 19 | - | | | | | | |
| MX150 ASSY RCP 2X10 BK A/7 | 334722085 | A-BLACK | GCP | PLR | | M | R | 1 | 2 | 3 | 4 | 5 | 6 | 7 | 8 | 9 | 10 | SALEABLE | | N/A | N/A | N/A | N/A |
| | | | | | | | | - | 12 | - | - | - | - | 17 | - | 19 | - | | | | | | |
| MX150 ASSY RCP 2X10 BK A/4 | 334722086 | A-BLACK | GCP | PLR | | M | R | 1 | 2 | 3 | 4 | 5 | 6 | 7 | 8 | 9 | 10 | SALEABLE | | N/A | N/A | N/A | N/A |
| | | | | | | | | - | - | - | 14 | 15 | - | 17 | 18 | 19 | 20 | | | | | | |
| MX150 ASSY RCP 2X10 BK A/12 | 334722087 | A-BLACK | GCP | PLR | | M | R | - | - | - | - | - | - | 7 | - | 9 | - | SALEABLE | | N/A | N/A | N/A | N/A |
| | | | | | | | | - | - | - | 14 | 15 | - | 17 | 18 | 19 | 20 | | | | | | |
| MX150 ASSY RCP 2X10 BK A/17 | 334722088 | A-BLACK | GCP | PLR | | M | R | - | - | - | - | - | - | 7 | - | - | - | SALEABLE | | N/A | N/A | N/A | N/A |
| | | | | | | | | - | - | - | - | - | - | 17 | - | - | 20 | | | | | | |
| MX150 ASSY RCP 2X10 CPA YW A/20 | 334722089 | A-YELLOW | GCO | PLR | CPA | M | R | - | - | - | - | - | - | - | - | - | - | SALEABLE | | N/A | N/A | N/A | N/A |
| | | | | | | | | - | - | - | - | - | - | - | - | - | - | | | | | | |
| MX150 ASSY RCP 2X10 BK A/19 | 334722090 | A-BLACK | GCP | PLR | | M | R | - | - | - | - | - | - | - | - | - | 20 | SALEABLE | | N/A | N/A | N/A | N/A |
| | | | | | | | | - | - | - | - | - | - | - | - | - | - | | | | | | |
| MX150 ASSY RCP 2X10 BK A/17 | 334722091 | A-BLACK | GCP | PLR | | M | R | - | 2 | - | - | - | - | - | - | - | - | SALEABLE | | N/A | N/A | N/A | N/A |
| | | | | | | | | - | - | - | - | 15 | 16 | - | - | - | - | | | | | | |
| MX150 ASSY RCP 2X10 CPA BK A/18 | 334722092 | A-BLACK | GCP | PLR | CPA | M | R | - | - | - | - | - | - | 7 | - | - | - | SALEABLE | | N/A | N/A | N/A | N/A |
| | | | | | | | | - | - | - | - | - | 16 | - | - | - | - | | | | | | |
| MX150 ASSY RCP 2X10 YW A/20 | 334722093 | A-YELLOW | GCO | PLR | | M | R | - | - | - | - | - | - | - | - | - | - | SALEABLE | | N/A | N/A | N/A | N/A |
| | | | | | | | | - | - | - | - | - | - | - | - | - | - | | | | | | |
| MX150 ASSY RCP 2X10 BK A/9 | 334722094 | A-BLACK | GCP | PLR | | M | R | - | - | - | 4 | - | - | - | - | - | 10 | SALEABLE | | N/A | N/A | N/A | N/A |
| | | | | | | | | 11 | 12 | 13 | 14 | 15 | 16 | - | 18 | 19 | 20 | | | | | | |
| MX150 ASSY RCP 2X10 CPA BK A/18 | 334722095 | A-BLACK | GCP | PLR | CPA | M | R | - | - | - | - | - | - | - | - | - | - | SALEABLE | | N/A | N/A | N/A | N/A |
| | | | | | | | | - | - | - | - | - | - | - | 18 | 19 | - | | | | | | |
| MX150 ASSY RCP 2X10 CPA BK A/15 | 334722096 | A-BLACK | GCP | PLR | CPA | M | R | - | 2 | - | 4 | - | - | - | - | - | - | SALEABLE | | N/A | N/A | N/A | N/A |
| | | | | | | | | 11 | 12 | - | 14 | - | - | - | - | - | - | | | | | | |

| ASSEMBLY DESCRIPTION | ASSEMBLY PART NUMBER | COMPONENT | | | | | | BLOCKED TERMINALS | | | | | | | | STATUS | COMMENT | OPTIONAL ATTACHMENTS SOLD SEPARATELY | | | | | |
|---------------------------------|----------------------|--|-------------|-----|-----|----------|-----------|--|---|---|---|---|---|---|---|--------|---------|--------------------------------------|------------------------|-----------------------|--------------------------|-----|-----|
| | | THE PRESENCE OF AN ABBREVIATION INDICATES THE PRESENCE OF THAT COMPONENT | | | | | | CAVITY WITH A NUMBER INDICATES BLOCKED TERMINAL POSITION CAVITY WITHOUT A NUMBER INDICATES OPEN TERMINAL POSITION | | | | | | | | | | BACKSHELL WITH RIBS | BACKSHELL WITHOUT RIBS | 90° ADAPTOR WITH RIBS | 90° ADAPTOR WITHOUT RIBS | | |
| | | HOUSING KEY/COLOR | GROMMET CAP | PLR | CPA | MAT SEAL | RING SEAL | 1 | 2 | 3 | 4 | 5 | 6 | 7 | 8 | | | | | | | 9 | 10 |
| MX150 ASSY RCP 2X10 CPA BK A/18 | 334722097 | A-BLACK | GCP | PLR | CPA | M | R | - | - | - | - | - | - | - | - | 9 | 10 | SALEABLE | | N/A | N/A | N/A | N/A |
| MX150 ASSY RCP 2X10 CPA BK A/12 | 334722098 | A-BLACK | GCP | PLR | CPA | M | R | 1 | - | - | - | - | - | - | - | - | - | SALEABLE | | N/A | N/A | N/A | N/A |
| MX150 ASSY RCP 2X10 CPA BK A/2 | 334722099 | A-BLACK | GCP | PLR | CPA | M | R | 1 | 2 | 3 | 4 | 5 | 6 | 7 | 8 | 9 | - | SALEABLE | | N/A | N/A | N/A | N/A |
| MX150 ASSY RCP 2X10 CPA BK A/11 | 334722100 | A-BLACK | GCP | PLR | CPA | M | R | - | - | 3 | 4 | 5 | 6 | - | 8 | 9 | - | SALEABLE | | N/A | N/A | N/A | N/A |
| MX150 ASSY RCP 2X10 CPA BK A/4 | 334722101 | A-BLACK | GCP | PLR | CPA | M | R | 1 | 2 | 3 | 4 | 5 | 6 | - | - | - | - | SALEABLE | | N/A | N/A | N/A | N/A |
| MX150 ASSY RCP 2X10 BK A/14 | 334722102 | A-BLACK | GCP | PLR | | M | R | - | - | - | - | - | - | - | - | - | 10 | SALEABLE | | N/A | N/A | N/A | N/A |
| MX150 ASSY RCP 2X10 CPA BK A/11 | 334722103 | A-BLACK | GCP | PLR | CPA | M | R | - | - | 3 | 4 | 5 | 6 | - | 8 | 9 | 10 | SALEABLE | | N/A | N/A | N/A | N/A |
| MX150 ASSY RCP 2X10 CPA BK A/14 | 334722104 | A-BLACK | GCP | PLR | CPA | M | R | - | - | 3 | - | - | - | - | 8 | 9 | - | SALEABLE | | N/A | N/A | N/A | N/A |
| MX150 ASSY RCP 2X10 BK A/13 | 334722105 | A-BLACK | GCP | PLR | | M | R | - | - | - | - | - | - | - | - | 9 | - | SALEABLE | | N/A | N/A | N/A | N/A |
| MX150 ASSY RCP 2X10 LG B/16 | 334722106 | B-LIGHT GRAY | GCP | PLR | | M | R | - | - | - | - | - | 6 | 7 | 8 | - | - | SALEABLE | | N/A | N/A | N/A | N/A |
| MX150 ASSY RCP 2X10 LG B/18 | 334722107 | B-LIGHT GRAY | GCP | PLR | | M | R | - | - | - | - | - | - | - | 8 | - | - | SALEABLE | | N/A | N/A | N/A | N/A |
| MX150 ASSY RCP 2X10 LG B/16 | 334722108 | B-LIGHT GRAY | GCP | PLR | | M | R | - | - | - | - | - | 6 | 7 | - | 9 | 10 | SALEABLE | | N/A | N/A | N/A | N/A |
| MX150 ASSY RCP 2X10 LG B/14 | 334722109 | B-LIGHT GRAY | GCP | PLR | | M | R | - | - | 3 | - | 5 | 6 | 7 | - | 9 | 10 | SALEABLE | | N/A | N/A | N/A | N/A |
| MX150 ASSY RCP 2X10 LG B/16 | 334722110 | B-LIGHT GRAY | GCP | PLR | | M | R | - | - | 3 | - | 5 | - | - | - | 9 | 10 | SALEABLE | | N/A | N/A | N/A | N/A |
| MX150 ASSY RCP 2X10 LG B/15 | 334722111 | B-LIGHT GRAY | GCP | PLR | | M | R | - | - | 3 | 4 | 5 | - | - | - | 9 | 10 | SALEABLE | | N/A | N/A | N/A | N/A |
| MX150 ASSY RCP 2X10 LG B/10 | 334722112 | B-LIGHT GRAY | GCP | PLR | | M | R | - | - | 3 | 4 | 5 | - | - | - | 9 | 10 | SALEABLE | | N/A | N/A | N/A | N/A |
| MX150 ASSY RCP 2X10 LG B/8 | 334722113 | B-LIGHT GRAY | GCP | PLR | | M | R | - | - | 3 | 4 | 5 | 6 | 7 | - | 9 | 10 | SALEABLE | | N/A | N/A | N/A | N/A |
| MX150 ASSY RCP 2X10 CPA LG B/11 | 334722114 | B-LIGHT GRAY | GCP | PLR | CPA | M | R | - | - | 3 | 4 | 5 | 6 | - | 8 | 9 | 10 | SALEABLE | | N/A | N/A | N/A | N/A |
| MX150 ASSY RCP 2X10 CPA YW A/9 | 334722115 | A-YELLOW | GCP | PLR | CPA | M | R | - | - | 3 | - | - | 6 | 7 | 8 | 9 | 10 | SALEABLE | | N/A | N/A | N/A | N/A |
| MX150 ASSY RCP 2X10 CPA YW A/11 | 334722116 | A-YELLOW | GCP | PLR | CPA | M | R | - | - | 3 | - | - | 6 | 7 | 8 | 9 | 10 | SALEABLE | | N/A | N/A | N/A | N/A |
| MX150 ASSY RCP 2X10 CPA YW A/15 | 334722117 | A-YELLOW | GCP | PLR | CPA | M | R | - | - | 3 | - | - | - | 7 | - | - | 10 | SALEABLE | | N/A | N/A | N/A | N/A |
| MX150 ASSY RCP 2X10 CPA YW A/2 | 334722118 | A-YELLOW | GCP | PLR | CPA | M | R | - | - | 3 | 4 | 5 | 6 | 7 | 8 | 9 | 10 | SALEABLE | | N/A | N/A | N/A | N/A |
| MX150 ASSY RCP 2X10 CPA YW A/7 | 334722119 | A-YELLOW | GCP | PLR | CPA | M | R | - | - | 3 | 4 | 5 | 6 | 7 | 8 | 9 | 10 | SALEABLE | | N/A | N/A | N/A | N/A |
| MX150 ASSY RCP 2X10 CPA YW A/14 | 334722120 | A-YELLOW | GCP | PLR | CPA | M | R | - | - | 3 | - | - | - | 7 | 8 | 9 | 10 | SALEABLE | | N/A | N/A | N/A | N/A |
| MX150 ASSY RCP 2X10 CPA BK A/10 | 334722121 | A-BLACK | GCP | PLR | CPA | M | R | - | - | - | - | - | - | - | - | - | - | SALEABLE | | N/A | N/A | N/A | N/A |
| MX150 ASSY RCP 2X10 CPA BK A/11 | 334722122 | A-BLACK | GCP | PLR | CPA | M | R | - | 2 | 3 | 4 | 5 | - | - | - | - | - | SALEABLE | | N/A | N/A | N/A | N/A |
| MX150 ASSY RCP 2X10 BK A/18 | 334722123 | A-BLACK | GCP | PLR | | M | R | - | - | - | - | - | - | - | 8 | - | - | SALEABLE | | N/A | N/A | N/A | N/A |

| ASSEMBLY DESCRIPTION | ASSEMBLY PART NUMBER | COMPONENT | | | | | | BLOCKED TERMINALS | | | | | | | | STATUS | COMMENT | OPTIONAL ATTACHMENTS SOLD SEPARATELY | | | | | | | | | | | | | | |
|---------------------------------|----------------------|--|-------------|-----|-----|----------|-----------|--|---|---|---|---|---|---|---|--------|---------|--------------------------------------|------------------------|-----------------------|--------------------------|---|----|----|----|----------|----------|-----|-----|-----|-----|-----|
| | | THE PRESENCE OF AN ABBREVIATION INDICATES THE PRESENCE OF THAT COMPONENT | | | | | | CAVITY WITH A NUMBER INDICATES BLOCKED TERMINAL POSITION CAVITY WITHOUT A NUMBER INDICATES OPEN TERMINAL POSITION | | | | | | | | | | BACKSHELL WITH RIBS | BACKSHELL WITHOUT RIBS | 90° ADAPTOR WITH RIBS | 90° ADAPTOR WITHOUT RIBS | | | | | | | | | | | |
| | | HOUSING KEY/COLOR | GROMMET CAP | PLR | CPA | MAT SEAL | RING SEAL | 1 | 2 | 3 | 4 | 5 | 6 | 7 | 8 | | | | | | | 9 | 10 | 11 | 12 | 13 | 14 | 15 | 16 | 17 | 18 | 19 |
| MX150 ASSY RCP 2X10 BK A/17 | 334722124 | A-BLACK | GCP | PLR | | M | R | - | - | - | - | - | - | - | - | - | - | - | - | - | - | - | - | - | - | - | SALEABLE | | N/A | N/A | N/A | N/A |
| MX150 ASSY RCP 2X10 BK A/9 | 334722125 | A-BLACK | GCP | PLR | | M | R | 1 | 2 | 3 | 4 | 5 | 6 | 7 | 8 | - | - | - | - | - | - | - | - | - | - | - | SALEABLE | | N/A | N/A | N/A | N/A |
| MX150 ASSY RCP 2X10 CPA BK A/14 | 334722126 | A-BLACK | GCP | PLR | CPA | M | R | 1 | - | - | - | - | - | - | 8 | 9 | - | - | - | - | - | - | - | - | - | - | SALEABLE | | N/A | N/A | N/A | N/A |
| MX150 ASSY RCP 2X10 CPA BK A/15 | 334722127 | A-BLACK | GCP | PLR | CPA | M | R | 1 | - | - | - | - | - | - | 8 | - | 10 | - | - | - | - | - | - | - | - | - | SALEABLE | | N/A | N/A | N/A | N/A |
| MX150 ASSY RCP 2X10 BK A/15 | 334722128 | A-BLACK | GCP | PLR | | M | R | 1 | - | - | - | - | - | - | 8 | - | 10 | - | - | - | - | - | - | - | - | - | SALEABLE | | N/A | N/A | N/A | N/A |
| MX150 ASSY RCP 2X10 BK A/14 | 334722129 | A-BLACK | GCP | PLR | | M | R | 1 | - | - | - | - | - | - | 8 | 9 | - | - | - | - | - | - | - | - | - | - | SALEABLE | | N/A | N/A | N/A | N/A |
| MX150 ASSY RCP 2X10 CPA BK A/13 | 334722130 | A-BLACK | GCP | PLR | CPA | M | R | 1 | - | - | - | - | - | - | 8 | - | 10 | - | - | - | - | - | - | - | - | - | SALEABLE | | N/A | N/A | N/A | N/A |
| MX150 ASSY RCP 2X10 BK A/18 | 334722131 | A-BLACK | GCP | PLR | | M | R | - | - | - | 4 | - | - | - | - | - | - | - | - | - | - | - | - | - | - | - | SALEABLE | | N/A | N/A | N/A | N/A |
| MX150 ASSY RCP 2X10 BK A/6 | 334722132 | A-BLACK | GCP | PLR | | M | R | - | - | - | 4 | 5 | 6 | 7 | 8 | 9 | 10 | - | - | - | - | - | - | - | - | - | SALEABLE | | N/A | N/A | N/A | N/A |
| MX150 ASSY RCP 2X10 BK A/0 | 334722133 | A-BLACK | GCP | PLR | | M | R | 1 | 2 | 3 | 4 | 5 | 6 | 7 | 8 | 9 | 10 | - | - | - | - | - | - | - | - | - | SALEABLE | | N/A | N/A | N/A | N/A |
| MX150 ASSY RCP 2X10 BK A/17 | 334722134 | A-BLACK | GCP | PLR | | M | R | 1 | - | - | - | - | - | - | - | 9 | - | - | - | - | - | - | - | - | - | - | SALEABLE | | N/A | N/A | N/A | N/A |
| MX150 ASSY RCP 2X10 BK A/18 | 334722135 | A-BLACK | GCP | PLR | | M | R | 1 | - | - | - | - | - | - | - | - | - | - | - | - | - | - | - | 19 | - | - | SALEABLE | | N/A | N/A | N/A | N/A |
| MX150 ASSY RCP 2X10 BK A/2 | 334722136 | A-BLACK | GCP | PLR | | M | R | 1 | 2 | 3 | 4 | 5 | 6 | 7 | 8 | 9 | 10 | - | - | - | - | - | - | - | - | - | SALEABLE | | N/A | N/A | N/A | N/A |
| MX150 ASSY RCP 2X10 BK A/16 | 334722137 | A-BLACK | GCP | PLR | | M | R | 1 | - | - | - | - | - | - | - | - | - | - | - | - | - | - | - | 19 | - | - | SALEABLE | | N/A | N/A | N/A | N/A |
| MX150 ASSY RCP 2X10 CPA BK A/12 | 334722138 | A-BLACK | GCP | PLR | CPA | M | R | - | - | - | - | - | - | - | - | 9 | 10 | - | - | - | - | - | - | - | - | - | SALEABLE | | N/A | N/A | N/A | N/A |
| MX150 ASSY RCP 2X10 BK A/8 | 334722139 | A-BLACK | GCP | PLR | | M | R | 1 | 2 | 3 | 4 | 5 | 6 | - | 8 | - | 10 | - | - | - | - | - | - | - | - | - | SALEABLE | | N/A | N/A | N/A | N/A |
| MX150 ASSY RCP 2X10 BK A/14 | 334722140 | A-BLACK | GCP | PLR | | M | R | - | 2 | - | - | - | - | - | 8 | - | - | - | - | - | - | - | - | - | - | - | SALEABLE | | N/A | N/A | N/A | N/A |
| MX150 ASSY RCP 2X10 BK A/16 | 334722141 | A-BLACK | GCP | PLR | | M | R | - | - | - | - | - | - | - | - | - | - | - | - | - | - | - | - | - | - | - | SALEABLE | | N/A | N/A | N/A | N/A |
| MX150 ASSY RCP 2X10 LG B/9 | 334722142 | B-LIGHT GRAY | GCP | PLR | | M | R | 1 | 2 | 3 | 4 | 5 | 6 | 7 | 8 | - | - | - | - | - | - | - | - | - | - | - | SALEABLE | | N/A | N/A | N/A | N/A |
| MX150 ASSY RCP 2X10 LG B/17 | 334722143 | B-LIGHT GRAY | GCP | PLR | | M | R | - | - | - | - | - | - | - | - | - | - | - | - | - | - | - | - | - | - | - | SALEABLE | | N/A | N/A | N/A | N/A |
| MX150 ASSY RCP 2X10 BK A/11 | 334722144 | A-BLACK | GCP | PLR | | M | R | 1 | 2 | 3 | 4 | 5 | - | 7 | 8 | - | - | - | - | - | - | - | - | - | - | - | SALEABLE | | N/A | N/A | N/A | N/A |
| MX150 ASSY RCP 2X10 BK A/13 | 334722145 | A-BLACK | GCP | PLR | | M | R | 1 | 2 | 3 | - | - | - | 7 | - | - | 10 | - | - | - | - | - | - | - | - | - | SALEABLE | | N/A | N/A | N/A | N/A |
| MX150 ASSY RCP 2X10 CPA BK A/17 | 334722146 | A-BLACK | GCP | PLR | CPA | M | R | 1 | - | - | - | - | - | - | - | 9 | - | - | - | - | - | - | - | - | - | SALEABLE | | N/A | N/A | N/A | N/A | |
| MX150 ASSY RCP 2X10 BK A/7 | 334722147 | A-BLACK | GCP | PLR | | M | R | 1 | 2 | 3 | 4 | 5 | - | 7 | 8 | - | - | - | - | - | - | - | - | - | - | - | SALEABLE | | N/A | N/A | N/A | N/A |
| MX150 ASSY RCP 2X10 BK A/9 | 334722148 | A-BLACK | GCP | PLR | | M | R | 1 | 2 | 3 | - | - | - | 7 | - | - | 10 | - | - | - | - | - | - | - | - | - | SALEABLE | | N/A | N/A | N/A | N/A |
| MX150 ASSY RCP 2X10 CPA BK A/17 | 334722149 | A-BLACK | GCP | PLR | CPA | M | R | - | - | - | - | - | - | - | - | - | 10 | - | - | - | - | - | - | - | - | SALEABLE | | N/A | N/A | N/A | N/A | |
| MX150 ASSY RCP 2X10 CPA BK A/16 | 334722150 | A-BLACK | GCP | PLR | CPA | M | R | - | - | - | - | - | - | 7 | - | 9 | 10 | - | - | - | - | - | - | - | - | SALEABLE | | N/A | N/A | N/A | N/A | |

| ASSEMBLY DESCRIPTION | ASSEMBLY PART NUMBER | COMPONENT | | | | | | BLOCKED TERMINALS | | | | | | | | STATUS | COMMENT | OPTIONAL ATTACHMENTS SOLD SEPARATELY | | | | | |
|---------------------------------|----------------------|--|-------------|-----|-----|----------|-----------|--|----|----|----|----|----|----|----|--------|---------|--------------------------------------|------------------------|-----------------------|--------------------------|-----|-----|
| | | THE PRESENCE OF AN ABBREVIATION INDICATES THE PRESENCE OF THAT COMPONENT | | | | | | CAVITY WITH A NUMBER INDICATES BLOCKED TERMINAL POSITION CAVITY WITHOUT A NUMBER INDICATES OPEN TERMINAL POSITION | | | | | | | | | | BACKSHELL WITH RIBS | BACKSHELL WITHOUT RIBS | 90° ADAPTOR WITH RIBS | 90° ADAPTOR WITHOUT RIBS | | |
| | | HOUSING KEY/COLOR | GROMMET CAP | PLR | CPA | MAT SEAL | RING SEAL | 1 | 2 | 3 | 4 | 5 | 6 | 7 | 8 | | | | | | | 9 | 10 |
| MX150 ASSY RCP 2X10 CPA BK A/8 | 334722151 | A-BLACK | GCP | PLR | CPA | M | R | 1 | 2 | 3 | 4 | - | - | - | - | 9 | 10 | SALEABLE | | N/A | N/A | N/A | N/A |
| | | | | | | | | - | - | 13 | 14 | - | - | 17 | 18 | 19 | 20 | | | | | | |
| MX150 ASSY RCP 2X10 BK A/7 | 334722152 | A-BLACK | GCP | PLR | | M | R | 1 | 2 | 3 | 4 | 5 | - | 7 | 8 | 9 | - | SALEABLE | | N/A | N/A | N/A | N/A |
| | | | | | | | | - | - | - | - | - | 16 | 17 | 18 | 19 | 20 | | | | | | |
| MX150 ASSY RCP 2X10 BK A/11 | 334722153 | A-BLACK | GCP | PLR | | M | R | - | - | - | 4 | 5 | 6 | - | - | - | - | SALEABLE | | N/A | N/A | N/A | N/A |
| | | | | | | | | - | 12 | - | - | 15 | 16 | 17 | 18 | 19 | - | | | | | | |
| MX150 ASSY RCP 2X10 BK A/11 | 334722154 | A-BLACK | GCP | PLR | | M | R | 1 | - | - | - | 5 | 6 | 7 | 8 | - | - | SALEABLE | | N/A | N/A | N/A | N/A |
| | | | | | | | | - | 12 | 13 | - | 15 | - | - | - | 19 | - | | | | | | |
| MX150 ASSY RCP 2X10 CPA BK A/9 | 334722155 | A-BLACK | GCP | PLR | CPA | M | R | 1 | 2 | 3 | 4 | 5 | 6 | - | - | - | - | SALEABLE | | N/A | N/A | N/A | N/A |
| | | | | | | | | - | - | - | - | - | 16 | 17 | 18 | 19 | 20 | | | | | | |
| MX150 ASSY RCP 2X10 CPA BK A/15 | 334722156 | A-BLACK | GCP | PLR | CPA | M | R | - | - | - | - | - | - | - | - | - | - | SALEABLE | | N/A | N/A | N/A | N/A |
| | | | | | | | | - | - | - | - | - | 16 | 17 | 18 | 19 | 20 | | | | | | |
| MX150 ASSY RCP 2X10 CPA BK A/13 | 334722157 | A-BLACK | GCP | PLR | CPA | M | R | - | - | - | - | - | - | - | - | 9 | - | SALEABLE | | N/A | N/A | N/A | N/A |
| | | | | | | | | - | - | 13 | 14 | - | - | 17 | 18 | 19 | 20 | | | | | | |
| MX150 ASSY RCP 2X10 CPA BK A/8 | 334722158 | A-BLACK | GCP | PLR | CPA | M | R | 1 | 2 | 3 | 4 | 5 | 6 | - | 8 | - | 10 | SALEABLE | | N/A | N/A | N/A | N/A |
| | | | | | | | | - | - | - | - | - | - | 17 | 18 | 19 | 20 | | | | | | |
| MX150 ASSY RCP 2X10 CPA LG B/13 | 334722159 | B-LIGHT GRAY | GCP | PLR | CPA | M | R | - | - | - | - | - | - | - | - | 9 | 10 | SALEABLE | | N/A | N/A | N/A | N/A |
| | | | | | | | | 11 | - | - | - | 15 | 16 | 17 | - | - | 20 | | | | | | |
| MX150 ASSY RCP 2X10 CPA LG B/12 | 334722160 | B-LIGHT GRAY | GCP | PLR | CPA | M | R | - | - | - | 4 | 5 | 6 | - | - | 9 | 10 | SALEABLE | | N/A | N/A | N/A | N/A |
| | | | | | | | | 11 | - | - | 14 | - | - | - | 18 | - | - | | | | | | |
| MX150 ASSY RCP 2X10 CPA LG B/14 | 334722161 | B-LIGHT GRAY | GCP | PLR | CPA | M | R | - | - | - | 4 | 5 | 6 | 7 | - | - | 10 | SALEABLE | | N/A | N/A | N/A | N/A |
| | | | | | | | | - | - | - | - | - | - | - | 18 | - | - | | | | | | |
| MX150 ASSY RCP 2X10 CPA LG B/13 | 334722162 | B-LIGHT GRAY | GCP | PLR | CPA | M | R | - | - | - | 4 | 5 | 6 | - | - | 9 | 10 | SALEABLE | | N/A | N/A | N/A | N/A |
| | | | | | | | | 11 | - | - | - | - | - | - | - | - | 20 | | | | | | |
| MX150 ASSY RCP 2X10 CPA LG B/14 | 334722163 | B-LIGHT GRAY | GCP | PLR | CPA | M | R | - | - | - | 4 | 5 | 6 | - | - | - | - | SALEABLE | | N/A | N/A | N/A | N/A |
| | | | | | | | | - | - | - | 14 | - | - | - | - | 19 | 20 | | | | | | |
| MX150 ASSY RCP 2X10 CPA BK A/12 | 334722164 | A-BLACK | GCP | PLR | CPA | M | R | - | - | - | - | - | - | - | - | 9 | 10 | SALEABLE | | N/A | N/A | N/A | N/A |
| | | | | | | | | - | - | 13 | 14 | - | - | 17 | 18 | 19 | 20 | | | | | | |
| MX150 ASSY RCP 2X10 BK A/10 | 334722165 | A-BLACK | GCP | PLR | | M | R | - | - | 3 | 4 | 5 | 6 | - | - | - | - | SALEABLE | | N/A | N/A | N/A | N/A |
| | | | | | | | | - | 12 | - | - | 15 | 16 | 17 | 18 | 19 | - | | | | | | |
| MX150 ASSY RCP 2X10 CPA BK A/17 | 334722167 | A-BLACK | GCP | PLR | CPA | M | R | - | - | - | - | - | - | - | - | - | - | SALEABLE | | N/A | N/A | N/A | N/A |
| | | | | | | | | - | - | 13 | - | - | - | - | - | 19 | 20 | | | | | | |
| MX150 ASSY RCP 2X10 BK A/15 | 334722168 | A-BLACK | GCP | PLR | | M | R | - | 2 | - | - | - | - | - | 8 | - | 10 | SALEABLE | | N/A | N/A | N/A | N/A |
| | | | | | | | | - | - | - | - | - | - | 17 | - | 19 | - | | | | | | |
| MX150 ASSY RCP 2X10 BK A/19 | 334722169 | A-BLACK | GCP | PLR | | M | R | - | - | - | - | - | - | - | - | - | - | SALEABLE | | N/A | N/A | N/A | N/A |
| | | | | | | | | - | - | - | - | - | 16 | - | - | - | - | | | | | | |
| MX150 ASSY RCP 2X10 BK A/10 | 334722170 | A-BLACK | GCP | PLR | | M | R | 1 | 2 | 3 | 4 | 5 | - | 7 | 8 | - | - | SALEABLE | | N/A | N/A | N/A | N/A |
| | | | | | | | | - | - | - | - | - | 16 | - | - | 19 | 20 | | | | | | |
| MX150 ASSY RCP 2X10 BK A/12 | 334722171 | A-BLACK | GCP | PLR | | M | R | 1 | 2 | 3 | - | - | - | 7 | - | - | 10 | SALEABLE | | N/A | N/A | N/A | N/A |
| | | | | | | | | - | - | - | - | - | 16 | - | - | 19 | 20 | | | | | | |
| MX150 ASSY RCP 2X10 BK A/6 | 334722172 | A-BLACK | GCP | PLR | | M | R | 1 | 2 | 3 | 4 | 5 | 6 | - | 8 | - | 10 | SALEABLE | | N/A | N/A | N/A | N/A |
| | | | | | | | | - | - | - | 14 | 15 | - | 17 | 18 | 19 | 20 | | | | | | |
| MX150 ASSY RCP 2X10 BK A/14 | 334722173 | A-BLACK | GCP | PLR | | M | R | - | - | - | - | - | - | - | - | - | - | SALEABLE | | N/A | N/A | N/A | N/A |
| | | | | | | | | - | - | - | 14 | 15 | - | 17 | 18 | 19 | 20 | | | | | | |
| MX150 ASSY RCP 2X10 BK A/14 | 334722174 | A-BLACK | GCP | PLR | | M | R | - | 2 | - | - | - | - | - | 8 | - | - | SALEABLE | | N/A | N/A | N/A | N/A |
| | | | | | | | | - | - | - | - | - | - | 17 | 18 | 19 | 20 | | | | | | |
| MX150 ASSY RCP 2X10 BK A/8 | 334722175 | A-BLACK | GCP | PLR | | M | R | 1 | 2 | 3 | 4 | 5 | 6 | - | 8 | - | 10 | SALEABLE | | N/A | N/A | N/A | N/A |
| | | | | | | | | - | - | - | 14 | 15 | - | - | 18 | - | 20 | | | | | | |
| MX150 ASSY RCP 2X10 BK A/10 | 334722176 | A-BLACK | GCP | PLR | | M | R | 1 | 2 | 3 | 4 | 5 | 6 | - | 8 | - | 10 | SALEABLE | | N/A | N/A | N/A | N/A |
| | | | | | | | | - | - | - | - | - | - | - | 18 | - | 20 | | | | | | |
| MX150 ASSY RCP 2X10 BK A/16 | 334722177 | A-BLACK | GCP | PLR | | M | R | - | - | - | - | - | - | - | - | - | - | SALEABLE | | N/A | N/A | N/A | N/A |
| | | | | | | | | - | - | - | 14 | 15 | - | - | 18 | - | 20 | | | | | | |
| MX150 ASSY RCP 2X10 BK A/18 | 334722178 | A-BLACK | GCP | PLR | | M | R | - | - | - | - | - | - | - | - | - | - | SALEABLE | | N/A | N/A | N/A | N/A |
| | | | | | | | | - | - | - | - | - | - | - | 18 | - | 20 | | | | | | |

| ASSEMBLY DESCRIPTION | ASSEMBLY PART NUMBER | COMPONENT | | | | | | BLOCKED TERMINALS | | | | | | | | STATUS | COMMENT | OPTIONAL ATTACHMENTS SOLD SEPARATELY | | | | | | | | | | | | |
|---------------------------------|----------------------|--|-------------|-----|-----|----------|-----------|--|---|---|---|---|---|---|---|--------|---------|--------------------------------------|------------------------|-----------------------|--------------------------|---|----|----|----|----|-----|-----|-----|-----|
| | | THE PRESENCE OF AN ABBREVIATION INDICATES THE PRESENCE OF THAT COMPONENT | | | | | | CAVITY WITH A NUMBER INDICATES BLOCKED TERMINAL POSITION CAVITY WITHOUT A NUMBER INDICATES OPEN TERMINAL POSITION | | | | | | | | | | BACKSHELL WITH RIBS | BACKSHELL WITHOUT RIBS | 90° ADAPTOR WITH RIBS | 90° ADAPTOR WITHOUT RIBS | | | | | | | | | |
| | | HOUSING KEY/COLOR | GROMMET CAP | PLR | CPA | MAT SEAL | RING SEAL | 1 | 2 | 3 | 4 | 5 | 6 | 7 | 8 | | | | | | | 9 | 10 | 11 | 12 | 13 | 14 | 15 | 16 | 17 |
| MX150 ASSY RCP 2X10 BK A/12 | 334722179 | A-BLACK | GCP | PLR | | M | R | 1 | 2 | 3 | 4 | 5 | 6 | - | - | - | - | - | - | - | - | - | - | - | - | - | N/A | N/A | N/A | N/A |
| MX150 ASSY RCP 2X10 BK A/18 | 334722180 | A-BLACK | GCP | PLR | | M | R | - | - | - | - | - | 6 | - | - | - | - | - | - | - | - | - | - | - | 19 | 20 | N/A | N/A | N/A | N/A |
| MX150 ASSY RCP 2X10 CPA BK A/10 | 334722181 | A-BLACK | GCP | PLR | CPA | M | R | 1 | - | 3 | - | 5 | - | 7 | - | 9 | - | - | - | - | - | - | - | - | - | - | N/A | N/A | N/A | N/A |
| MX150 ASSY RCP 2X10 CPA BK A/10 | 334722182 | A-BLACK | GCP | PLR | CPA | M | R | - | 2 | - | 4 | - | 6 | - | 8 | - | 10 | - | - | - | - | - | - | - | - | - | N/A | N/A | N/A | N/A |
| MX150 ASSY RCP 2X10 BK A/17 | 334722183 | A-BLACK | GCP | PLR | | M | R | - | - | - | - | - | - | - | - | - | - | - | - | - | - | - | - | - | - | - | N/A | N/A | N/A | N/A |
| MX150 ASSY RCP 2X10 BK A/17 | 334722184 | A-BLACK | GCP | PLR | | M | R | - | 2 | - | - | - | - | - | 8 | - | - | - | - | - | - | - | - | - | - | - | N/A | N/A | N/A | N/A |
| MX150 ASSY RCP 2X10 BK A/11 | 334722185 | A-BLACK | GCP | PLR | | M | R | 1 | 2 | 3 | 4 | 5 | 6 | - | 8 | - | 10 | - | - | - | - | - | - | - | - | - | N/A | N/A | N/A | N/A |
| MX150 ASSY RCP 2X10 BK A/15 | 334722186 | A-BLACK | GCP | PLR | | M | R | - | 2 | - | - | - | - | - | 8 | - | - | - | - | - | - | - | - | - | - | - | N/A | N/A | N/A | N/A |
| MX150 ASSY RCP 2X10 BK A/9 | 334722187 | A-BLACK | GCP | PLR | | M | R | 1 | 2 | 3 | 4 | 5 | 6 | - | 8 | - | 10 | - | - | - | - | - | - | - | - | - | N/A | N/A | N/A | N/A |
| MX150 ASSY RCP 2X10 BK A/13 | 334722188 | A-BLACK | GCP | PLR | | M | R | - | - | - | - | - | - | - | - | - | - | - | - | - | - | - | - | - | - | - | N/A | N/A | N/A | N/A |
| MX150 ASSY RCP 2X10 BK A/13 | 334722189 | A-BLACK | GCP | PLR | | M | R | - | 2 | - | - | - | - | - | 8 | - | - | - | - | - | - | - | - | - | - | - | N/A | N/A | N/A | N/A |
| MX150 ASSY RCP 2X10 BK A/5 | 334722190 | A-BLACK | GCP | PLR | | M | R | 1 | 2 | 3 | 4 | 5 | 6 | - | 8 | - | 10 | - | - | - | - | - | - | - | - | - | N/A | N/A | N/A | N/A |
| MX150 ASSY RCP 2X10 CPA BK A/17 | 334722191 | A-BLACK | GCP | PLR | CPA | M | R | - | - | - | - | - | - | 7 | - | 9 | - | - | - | - | - | - | - | - | - | - | N/A | N/A | N/A | N/A |
| MX150 ASSY RCP 2X10 BK A/15 | 334722192 | A-BLACK | GCP | PLR | | M | R | - | - | - | - | - | - | - | - | - | 10 | - | - | - | - | - | - | - | - | - | N/A | N/A | N/A | N/A |
| MX150 ASSY RCP 2X10 BK A/11 | 334722193 | A-BLACK | GCP | PLR | | M | R | - | 2 | - | - | - | - | - | 8 | - | - | - | - | - | - | - | - | - | - | - | N/A | N/A | N/A | N/A |
| MX150 ASSY RCP 2X10 BK A/6 | 334722194 | A-BLACK | GCP | PLR | | M | R | - | - | 3 | 4 | 5 | 6 | 7 | 8 | 9 | 10 | - | - | - | - | - | - | - | - | - | N/A | N/A | N/A | N/A |
| MX150 ASSY RCP 2X10 BK A/7 | 334722195 | A-BLACK | GCP | PLR | | M | R | - | - | 3 | 4 | 5 | 6 | 7 | 8 | 9 | 10 | - | - | - | - | - | - | - | - | - | N/A | N/A | N/A | N/A |
| MX150 ASSY RCP 2X10 BK A/18 | 334722196 | A-BLACK | GCP | PLR | | M | R | - | - | - | - | - | - | - | - | - | - | - | - | - | - | - | - | - | 20 | - | N/A | N/A | N/A | N/A |
| MX150 ASSY RCP 2X10 BK A/16 | 334722197 | A-BLACK | GCP | PLR | | M | R | - | - | - | - | - | - | 7 | - | - | - | - | - | - | - | - | - | - | - | - | N/A | N/A | N/A | N/A |
| MX150 ASSY RCP 2X10 BK A/14 | 334722198 | A-BLACK | GCP | PLR | | M | R | - | - | 3 | - | - | - | - | - | - | - | - | - | - | - | - | - | - | - | - | N/A | N/A | N/A | N/A |
| MX150 ASSY RCP 2X10 BK A/18 | 334722199 | A-BLACK | GCP | PLR | | M | R | - | 2 | - | - | - | - | - | 8 | - | - | - | - | - | - | - | - | - | - | - | N/A | N/A | N/A | N/A |
| MX150 ASSY RCP 2X10 BK A/10 | 334722200 | A-BLACK | GCP | PLR | | M | R | 1 | 2 | 3 | 4 | 5 | 6 | - | 8 | - | 10 | - | - | - | - | - | - | - | - | - | N/A | N/A | N/A | N/A |
| MX150 ASSY RCP 2X10 BK A/16 | 334722201 | A-BLACK | GCP | PLR | | M | R | - | 2 | - | - | - | - | - | 8 | - | - | - | - | - | - | - | - | - | - | - | N/A | N/A | N/A | N/A |
| MX150 ASSY RCP 2X10 BK A/18 | 334722202 | A-BLACK | GCP | PLR | | M | R | - | - | - | - | - | - | - | - | - | - | - | - | - | - | - | - | - | - | - | N/A | N/A | N/A | N/A |
| MX150 ASSY RCP 2X10 LG B/14 | 334722203 | B-LIGHT GRAY | GCP | PLR | | M | R | - | 2 | 3 | - | - | - | - | - | 9 | - | - | - | - | - | - | - | - | - | - | N/A | N/A | N/A | N/A |
| MX150 ASSY RCP 2X10 LG B/5 | 334722204 | B-LIGHT GRAY | GCP | PLR | | M | R | 1 | 2 | 3 | 4 | 5 | - | - | 8 | 9 | 10 | - | - | - | - | - | - | - | - | - | N/A | N/A | N/A | N/A |
| MX150 ASSY RCP 2X10 CPA LG B/15 | 334722205 | B-LIGHT GRAY | GCP | PLR | CPA | M | R | - | - | - | - | - | - | - | - | - | - | - | - | - | - | - | - | - | - | - | N/A | N/A | N/A | N/A |

| ASSEMBLY DESCRIPTION | ASSEMBLY PART NUMBER | COMPONENT | | | | | | BLOCKED TERMINALS | | | | | | | | STATUS | COMMENT | OPTIONAL ATTACHMENTS SOLD SEPARATELY | | | | | | |
|---------------------------------|----------------------|--|-------------|-----|-----|----------|-----------|--|---|---|---|---|---|---|---|--------|---------|--------------------------------------|------------------------|-----------------------|--------------------------|-----|-----|-----|
| | | THE PRESENCE OF AN ABBREVIATION INDICATES THE PRESENCE OF THAT COMPONENT | | | | | | CAVITY WITH A NUMBER INDICATES BLOCKED TERMINAL POSITION CAVITY WITHOUT A NUMBER INDICATES OPEN TERMINAL POSITION | | | | | | | | | | BACKSHELL WITH RIBS | BACKSHELL WITHOUT RIBS | 90° ADAPTOR WITH RIBS | 90° ADAPTOR WITHOUT RIBS | | | |
| | | HOUSING KEY/COLOR | GROMMET CAP | PLR | CPA | MAT SEAL | RING SEAL | | | | | | | | | | | | | | | | | |
| MX150 ASSY RCP 2X10 CPA LG B/16 | 334722206 | B-LIGHT GRAY | GCP | PLR | CPA | M | R | - | - | - | - | - | - | - | - | - | - | - | SALEABLE | | N/A | N/A | N/A | N/A |
| MX150 ASSY RCP 2X10 BK A/17 | 334722207 | A-BLACK | GCP | PLR | | M | R | - | - | - | - | 5 | - | - | - | - | 10 | SALEABLE | | N/A | N/A | N/A | N/A | |
| MX150 ASSY RCP 2X10 BK A/15 | 334722208 | A-BLACK | GCP | PLR | | M | R | - | - | - | - | 5 | - | - | - | - | 10 | SALEABLE | | N/A | N/A | N/A | N/A | |
| MX150 ASSY RCP 2X10 BK A/19 | 334722209 | A-BLACK | GCP | PLR | | M | R | - | - | - | - | 5 | - | - | - | - | - | SALEABLE | | N/A | N/A | N/A | N/A | |
| MX150 ASSY RCP 2X10 BK A/18 | 334722210 | A-BLACK | GCP | PLR | | M | R | - | - | - | - | - | - | - | - | - | 10 | SALEABLE | | N/A | N/A | N/A | N/A | |
| MX150 ASSY RCP 2X10 BK A/15 | 334722211 | A-BLACK | GCP | PLR | | M | R | - | - | 3 | 4 | 5 | - | - | - | - | 10 | SALEABLE | | N/A | N/A | N/A | N/A | |
| MX150 ASSY RCP 2X10 BK A/17 | 334722212 | A-BLACK | GCP | PLR | | M | R | - | - | 3 | 4 | 5 | - | - | - | - | - | SALEABLE | | N/A | N/A | N/A | N/A | |
| MX150 ASSY RCP 2X10 BK A/12 | 334722213 | A-BLACK | GCP | PLR | | M | R | - | - | 3 | 4 | - | - | - | 8 | 9 | 10 | SALEABLE | | N/A | N/A | N/A | N/A | |
| MX150 ASSY RCP 2X10 BK A/16 | 334722214 | A-BLACK | GCP | PLR | | M | R | - | - | 3 | 4 | - | - | - | - | - | 10 | SALEABLE | | N/A | N/A | N/A | N/A | |
| MX150 ASSY RCP 2X10 BK A/18 | 334722215 | A-BLACK | GCP | PLR | | M | R | - | - | 3 | 4 | - | - | - | - | - | - | SALEABLE | | N/A | N/A | N/A | N/A | |
| MX150 ASSY RCP 2X10 LG B/7 | 334722216 | B-LIGHT GRAY | GCP | PLR | | M | R | 1 | 2 | 3 | 4 | 5 | 6 | 7 | 8 | - | - | SALEABLE | | N/A | N/A | N/A | N/A | |
| MX150 ASSY RCP 2X10 LG B/15 | 334722217 | B-LIGHT GRAY | GCP | PLR | | M | R | - | - | - | - | - | - | - | - | - | - | SALEABLE | | N/A | N/A | N/A | N/A | |
| MX150 ASSY RCP 2X10 BK A/15 | 334722218 | A-BLACK | GCP | PLR | | M | R | - | - | - | 4 | 5 | - | - | 8 | - | - | SALEABLE | | N/A | N/A | N/A | N/A | |
| MX150 ASSY RCP 2X10 BK A/15 | 334722219 | A-BLACK | GCP | PLR | | M | R | - | - | - | - | - | - | - | - | - | 10 | SALEABLE | | N/A | N/A | N/A | N/A | |
| MX150 ASSY RCP 2X10 BK A/12 | 334722220 | A-BLACK | GCP | PLR | | M | R | 1 | 2 | 3 | 4 | 5 | - | - | 8 | - | - | SALEABLE | | N/A | N/A | N/A | N/A | |
| MX150 ASSY RCP 2X10 BK A/12 | 334722221 | A-BLACK | GCP | PLR | | M | R | 1 | 2 | 3 | - | - | - | - | - | - | 10 | SALEABLE | | N/A | N/A | N/A | N/A | |
| MX150 ASSY RCP 2X10 BK A/17 | 334722222 | A-BLACK | GCP | PLR | | M | R | - | 2 | 3 | - | - | 6 | - | - | - | - | SALEABLE | | N/A | N/A | N/A | N/A | |
| MX150 ASSY RCP 2X10 BK A/16 | 334722223 | A-BLACK | GCP | PLR | | M | R | - | 2 | 3 | - | - | - | - | - | - | - | SALEABLE | | N/A | N/A | N/A | N/A | |
| MX150 ASSY RCP 2X10 BK A/15 | 334722224 | A-BLACK | GCP | PLR | | M | R | 1 | 2 | 3 | - | - | 6 | 7 | - | - | - | SALEABLE | | N/A | N/A | N/A | N/A | |
| MX150 ASSY RCP 2X10 BK A/12 | 334722225 | A-BLACK | GCP | PLR | | M | R | 1 | 2 | 3 | 4 | 5 | 6 | - | 8 | - | 10 | SALEABLE | | N/A | N/A | N/A | N/A | |
| MX150 ASSY RCP 2X10 BK A/17 | 334722226 | A-BLACK | GCP | PLR | | M | R | - | - | - | - | - | - | 7 | - | - | - | SALEABLE | | N/A | N/A | N/A | N/A | |
| MX150 ASSY RCP 2X10 BK A/4 | 334722227 | A-BLACK | GCP | PLR | | M | R | 1 | 2 | 3 | 4 | 5 | 6 | 7 | 8 | - | - | SALEABLE | | N/A | N/A | N/A | N/A | |
| MX150 ASSY RCP 2X10 BK A/8 | 334722228 | A-BLACK | GCP | PLR | | M | R | 1 | 2 | 3 | 4 | 5 | 6 | 7 | 8 | - | - | SALEABLE | | N/A | N/A | N/A | N/A | |
| MX150 ASSY RCP 2X10 BK A/12 | 334722229 | A-BLACK | GCP | PLR | | M | R | - | - | - | - | - | - | - | - | - | - | SALEABLE | | N/A | N/A | N/A | N/A | |
| MX150 ASSY RCP 2X10 BK A/12 | 334722230 | A-BLACK | GCP | PLR | | M | R | - | - | - | - | - | - | - | - | 9 | 10 | SALEABLE | | N/A | N/A | N/A | N/A | |
| MX150 ASSY RCP 2X10 BK A/4 | 334722231 | A-BLACK | GCP | PLR | | M | R | 1 | 2 | 3 | 4 | 5 | 6 | 7 | 8 | 9 | 10 | SALEABLE | | N/A | N/A | N/A | N/A | |
| MX150 ASSY RCP 2X10 BK A/8 | 334722232 | A-BLACK | GCP | PLR | | M | R | - | - | - | - | - | - | - | - | 9 | 10 | SALEABLE | | N/A | N/A | N/A | N/A | |

| ASSEMBLY DESCRIPTION | ASSEMBLY PART NUMBER | COMPONENT | | | | | | BLOCKED TERMINALS | | | | | | | | STATUS | COMMENT | OPTIONAL ATTACHMENTS SOLD SEPARATELY | | | | | | | |
|---------------------------------|----------------------|--|-------------|-----|-----|----------|-----------|--|---|---|---|---|---|---|---|--------|---------|--------------------------------------|------------------------|-----------------------|--------------------------|-----|-----|-----|-----|
| | | THE PRESENCE OF AN ABBREVIATION INDICATES THE PRESENCE OF THAT COMPONENT | | | | | | CAVITY WITH A NUMBER INDICATES BLOCKED TERMINAL POSITION CAVITY WITHOUT A NUMBER INDICATES OPEN TERMINAL POSITION | | | | | | | | | | BACKSHELL WITH RIBS | BACKSHELL WITHOUT RIBS | 90° ADAPTOR WITH RIBS | 90° ADAPTOR WITHOUT RIBS | | | | |
| | | HOUSING KEY/COLOR | GROMMET CAP | PLR | CPA | MAT SEAL | RING SEAL | | | | | | | | | | | | | | | | | | |
| MX150 ASSY RCP 2X10 BK A/16 | 334722233 | A-BLACK | GCP | PLR | | M | R | - | - | - | - | - | - | - | - | - | - | - | - | SALEABLE | | N/A | N/A | N/A | N/A |
| MX150 ASSY RCP 2X10 BK A/17 | 334722234 | A-BLACK | GCP | PLR | | M | R | - | 2 | 3 | - | - | 6 | - | - | - | - | - | - | SALEABLE | | N/A | N/A | N/A | N/A |
| MX150 ASSY RCP 2X10 BK A/15 | 334722235 | A-BLACK | GCP | PLR | | M | R | - | 2 | 3 | - | - | 6 | - | - | - | - | - | - | SALEABLE | | N/A | N/A | N/A | N/A |
| MX150 ASSY RCP 2X10 BK A/13 | 334722236 | A-BLACK | GCP | PLR | | M | R | - | - | 3 | 4 | 5 | 6 | 7 | - | - | - | 10 | - | SALEABLE | | N/A | N/A | N/A | N/A |
| MX150 ASSY RCP 2X10 BK A/10 | 334722237 | A-BLACK | GCP | PLR | | M | R | - | - | 3 | 4 | - | 6 | 7 | 8 | 9 | 10 | - | - | SALEABLE | | N/A | N/A | N/A | N/A |
| MX150 ASSY RCP 2X10 BK A/14 | 334722238 | A-BLACK | GCP | PLR | | M | R | - | - | 3 | 4 | - | 6 | 7 | - | - | 10 | - | - | SALEABLE | | N/A | N/A | N/A | N/A |
| MX150 ASSY RCP 2X10 BK A/13 | 334722239 | A-BLACK | GCP | PLR | | M | R | - | - | 3 | 4 | 5 | 6 | 7 | - | - | - | - | - | SALEABLE | | N/A | N/A | N/A | N/A |
| MX150 ASSY RCP 2X10 BK A/17 | 334722240 | A-BLACK | GCP | PLR | | M | R | - | - | - | - | 5 | - | - | - | - | - | - | - | SALEABLE | | N/A | N/A | N/A | N/A |
| MX150 ASSY RCP 2X10 BK A/16 | 334722241 | A-BLACK | GCP | PLR | | M | R | - | - | 3 | 4 | - | 6 | 7 | - | - | - | - | - | SALEABLE | | N/A | N/A | N/A | N/A |
| MX150 ASSY RCP 2X10 BK A/15 | 334722242 | A-BLACK | GCP | PLR | | M | R | - | - | - | - | 5 | 6 | 7 | - | - | - | - | - | SALEABLE | | N/A | N/A | N/A | N/A |
| MX150 ASSY RCP 2X10 LG B/10 | 334722243 | B-LIGHT GRAY | GCP | PLR | | M | R | - | 2 | 3 | - | - | 6 | - | - | 9 | 10 | - | - | SALEABLE | | N/A | N/A | N/A | N/A |
| MX150 ASSY RCP 2X10 LG B/9 | 334722244 | B-LIGHT GRAY | GCP | PLR | | M | R | - | 2 | 3 | - | - | 6 | - | - | 9 | 10 | - | - | SALEABLE | | N/A | N/A | N/A | N/A |
| MX150 ASSY RCP 2X10 LG B/13 | 334722245 | B-LIGHT GRAY | GCP | PLR | | M | R | - | 2 | 3 | - | - | - | - | - | 9 | - | - | - | SALEABLE | | N/A | N/A | N/A | N/A |
| MX150 ASSY RCP 2X10 LG B/9 | 334722246 | B-LIGHT GRAY | GCP | PLR | | M | R | 1 | 2 | 3 | - | - | - | - | 8 | 9 | 10 | - | - | SALEABLE | | N/A | N/A | N/A | N/A |
| MX150 ASSY RCP 2X10 LG B/13 | 334722247 | B-LIGHT GRAY | GCP | PLR | | M | R | - | 2 | 3 | - | - | - | - | 8 | 9 | - | - | - | SALEABLE | | N/A | N/A | N/A | N/A |
| MX150 ASSY RCP 2X10 LG B/12 | 334722248 | B-LIGHT GRAY | GCP | PLR | | M | R | - | 2 | 3 | - | - | - | - | 8 | 9 | - | - | - | SALEABLE | | N/A | N/A | N/A | N/A |
| MX150 ASSY RCP 2X10 LG B/7 | 334722249 | B-LIGHT GRAY | GCP | PLR | | M | R | 1 | 2 | 3 | 4 | 5 | 6 | 7 | 8 | - | - | - | - | SALEABLE | | N/A | N/A | N/A | N/A |
| MX150 ASSY RCP 2X10 LG B/15 | 334722250 | B-LIGHT GRAY | GCP | PLR | | M | R | - | - | - | - | - | - | - | - | - | - | - | - | SALEABLE | | N/A | N/A | N/A | N/A |
| MX150 ASSY RCP 2X10 CPA BK A/19 | 334722251 | A-BLACK | GCP | PLR | CPA | M | R | - | - | - | - | 5 | - | - | - | - | - | - | - | SALEABLE | | N/A | N/A | N/A | N/A |
| MX150 ASSY RCP 2X10 BK A/14 | 334722252 | A-BLACK | GCP | PLR | | M | R | - | 2 | 3 | - | - | 6 | - | - | - | 10 | - | - | SALEABLE | | N/A | N/A | N/A | N/A |
| MX150 ASSY RCP 2X10 BK A/9 | 334722253 | A-BLACK | GCP | PLR | | M | R | 1 | 2 | 3 | - | - | 6 | 7 | - | - | 10 | - | - | SALEABLE | | N/A | N/A | N/A | N/A |
| MX150 ASSY RCP 2X10 BK A/13 | 334722254 | A-BLACK | GCP | PLR | | M | R | - | - | 3 | 4 | 5 | 6 | 7 | - | - | - | - | - | SALEABLE | | N/A | N/A | N/A | N/A |
| MX150 ASSY RCP 2X10 BK A/11 | 334722255 | A-BLACK | GCP | PLR | | M | R | - | - | 3 | 4 | 5 | 6 | 7 | - | - | 10 | - | - | SALEABLE | | N/A | N/A | N/A | N/A |
| MX150 ASSY RCP 2X10 BK A/15 | 334722256 | A-BLACK | GCP | PLR | | M | R | - | - | 3 | 4 | 5 | 6 | 7 | - | - | - | - | - | SALEABLE | | N/A | N/A | N/A | N/A |
| MX150 ASSY RCP 2X10 BK A/9 | 334722257 | A-BLACK | GCP | PLR | | M | R | - | - | 3 | 4 | - | - | - | - | - | 10 | - | - | SALEABLE | | N/A | N/A | N/A | N/A |
| MX150 ASSY RCP 2X10 BK A/11 | 334722258 | A-BLACK | GCP | PLR | | M | R | - | - | - | - | - | - | - | - | - | 10 | - | - | SALEABLE | | N/A | N/A | N/A | N/A |
| MX150 ASSY RCP 2X10 BK A/13 | 334722259 | A-BLACK | GCP | PLR | | M | R | - | - | 3 | 4 | - | - | - | - | - | 10 | - | - | SALEABLE | | N/A | N/A | N/A | N/A |

| ASSEMBLY DESCRIPTION | ASSEMBLY PART NUMBER | COMPONENT | | | | | | BLOCKED TERMINALS | | | | | | | | STATUS | COMMENT | OPTIONAL ATTACHMENTS SOLD SEPARATELY | | | | | | | | | | | | | | | | | | | | | | | | | | | | | |
|---------------------------------|----------------------|--|-------------|-----|-----|----------|-----------|--|---|---|---|---|---|---|---|--------|---------|--------------------------------------|------------------------|-----------------------|--------------------------|---|----|----|----|----|----|----|----|----|----|----|----|----|----|----|----|----|---|----|----------|----------|-----|-----|-----|-----|-----|
| | | THE PRESENCE OF AN ABBREVIATION INDICATES THE PRESENCE OF THAT COMPONENT | | | | | | CAVITY WITH A NUMBER INDICATES BLOCKED TERMINAL POSITION CAVITY WITHOUT A NUMBER INDICATES OPEN TERMINAL POSITION | | | | | | | | | | BACKSHELL WITH RIBS | BACKSHELL WITHOUT RIBS | 90° ADAPTOR WITH RIBS | 90° ADAPTOR WITHOUT RIBS | | | | | | | | | | | | | | | | | | | | | | | | | | |
| | | HOUSING KEY/COLOR | GROMMET CAP | PLR | CPA | MAT SEAL | RING SEAL | 1 | 2 | 3 | 4 | 5 | 6 | 7 | 8 | | | | | | | 9 | 10 | 11 | 12 | 13 | 14 | 15 | 16 | 17 | 18 | 19 | 20 | | | | | | | | | | | | | | |
| MX150 ASSY RCP 2X10 BK A/15 | 334722260 | A-BLACK | GCP | PLR | | M | R | - | - | - | - | - | - | - | - | - | - | - | - | - | - | - | - | - | - | - | 11 | 12 | 13 | 14 | - | - | - | - | - | - | - | - | - | 20 | SALEABLE | | N/A | N/A | N/A | N/A | |
| MX150 ASSY RCP 2X10 BK A/15 | 334722261 | A-BLACK | GCP | PLR | | M | R | - | - | - | 4 | - | - | 7 | - | - | - | - | - | - | - | - | - | - | - | - | - | - | - | 14 | - | - | 17 | - | 19 | - | - | - | - | - | - | SALEABLE | | N/A | N/A | N/A | N/A |
| MX150 ASSY RCP 2X10 BK A/12 | 334722262 | A-BLACK | GCP | PLR | | M | R | - | - | 3 | 4 | - | - | 7 | - | - | - | - | - | - | - | - | - | - | - | - | - | 12 | - | 14 | - | - | 17 | - | 19 | 20 | - | - | - | - | - | SALEABLE | | N/A | N/A | N/A | N/A |
| MX150 ASSY RCP 2X10 BK A/14 | 334722263 | A-BLACK | GCP | PLR | | M | R | 1 | - | - | 4 | 5 | - | - | 8 | - | - | - | - | - | - | - | - | - | - | - | - | - | - | - | - | 16 | - | - | - | - | 20 | - | - | - | SALEABLE | | N/A | N/A | N/A | N/A | |
| MX150 ASSY RCP 2X10 BK A/14 | 334722264 | A-BLACK | GCP | PLR | | M | R | 1 | - | - | - | - | - | - | - | - | - | - | - | - | - | - | - | - | - | - | 11 | 12 | - | - | - | - | 16 | - | - | - | - | 20 | - | - | - | SALEABLE | | N/A | N/A | N/A | N/A |
| MX150 ASSY RCP 2X10 BK A/15 | 334722265 | A-BLACK | GCP | PLR | | M | R | - | - | - | - | - | - | - | - | - | - | - | - | - | - | - | - | - | - | - | 11 | 12 | - | - | - | - | 16 | - | - | - | - | 20 | - | - | - | SALEABLE | | N/A | N/A | N/A | N/A |
| MX150 ASSY RCP 2X10 CPA BK A/0 | 334722266 | A-BLACK | GCP | PLR | CPA | M | R | 1 | 2 | 3 | 4 | 5 | 6 | 7 | 8 | 9 | 10 | - | - | - | - | - | - | - | - | - | 11 | 12 | 13 | 14 | 15 | 16 | 17 | 18 | 19 | 20 | - | - | - | - | - | SALEABLE | | N/A | N/A | N/A | N/A |
| MX150 ASSY RCP 2X10 BK A/16 | 334722267 | A-BLACK | GCP | PLR | | M | R | 1 | - | - | 4 | 5 | - | - | 8 | - | - | - | - | - | - | - | - | - | - | - | - | - | - | - | - | - | - | - | - | - | - | - | - | - | SALEABLE | | N/A | N/A | N/A | N/A | |
| MX150 ASSY RCP 2X10 BK A/16 | 334722268 | A-BLACK | GCP | PLR | | M | R | 1 | - | - | - | - | - | - | - | - | - | - | - | - | - | - | - | - | - | - | 11 | 12 | - | - | - | - | - | - | - | - | - | - | - | - | - | SALEABLE | | N/A | N/A | N/A | N/A |
| MX150 ASSY RCP 2X10 BK A/17 | 334722269 | A-BLACK | GCP | PLR | | M | R | - | - | - | 4 | 5 | - | - | 8 | - | - | - | - | - | - | - | - | - | - | - | - | - | - | - | - | - | - | - | - | - | - | - | - | - | SALEABLE | | N/A | N/A | N/A | N/A | |
| MX150 ASSY RCP 2X10 BK A/17 | 334722270 | A-BLACK | GCP | PLR | | M | R | - | - | - | - | - | - | - | - | - | - | - | - | - | - | - | - | - | - | - | 11 | 12 | - | - | - | - | - | - | - | - | - | - | - | - | - | SALEABLE | | N/A | N/A | N/A | N/A |
| MX150 ASSY RCP 2X10 BK A/9 | 334722271 | A-BLACK | GCP | PLR | | M | R | - | 2 | - | - | - | - | 7 | 8 | 9 | 10 | - | - | - | - | - | - | - | - | - | - | 12 | 13 | - | - | 16 | 17 | 18 | - | 20 | - | - | - | - | - | SALEABLE | | N/A | N/A | N/A | N/A |
| MX150 ASSY RCP 2X10 BK A/10 | 334722272 | A-BLACK | GCP | PLR | | M | R | 1 | 2 | - | - | - | - | - | 8 | 9 | 10 | - | - | - | - | - | - | - | - | - | - | 12 | 13 | - | - | 16 | 17 | 18 | - | - | - | - | - | - | - | SALEABLE | | N/A | N/A | N/A | N/A |
| MX150 ASSY RCP 2X10 BK A/6 | 334722273 | A-BLACK | GCP | PLR | | M | R | 1 | 2 | 3 | - | - | - | - | 8 | 9 | 10 | - | - | - | - | - | - | - | - | - | - | 12 | 13 | 14 | 15 | 16 | 17 | 18 | 19 | - | - | - | - | - | - | SALEABLE | | N/A | N/A | N/A | N/A |
| MX150 ASSY RCP 2X10 BK A/4 | 334722274 | A-BLACK | GCP | PLR | | M | R | 1 | 2 | 3 | - | - | - | 7 | 8 | 9 | 10 | - | - | - | - | - | - | - | - | - | - | 12 | 13 | 14 | 15 | 16 | 17 | 18 | 19 | 20 | - | - | - | - | - | SALEABLE | | N/A | N/A | N/A | N/A |
| MX150 ASSY RCP 2X10 BK A/11 | 334722275 | A-BLACK | GCP | PLR | | M | R | - | 2 | - | - | - | - | 7 | 8 | 9 | 10 | - | - | - | - | - | - | - | - | - | - | 12 | 13 | - | - | - | 17 | 18 | - | - | - | - | - | - | - | SALEABLE | | N/A | N/A | N/A | N/A |
| MX150 ASSY RCP 2X10 BK A/13 | 334722276 | A-BLACK | GCP | PLR | | M | R | 1 | - | - | - | - | - | 7 | - | - | - | - | - | - | - | - | - | - | - | - | - | 12 | 13 | - | - | - | 17 | 18 | - | - | - | - | - | - | - | SALEABLE | | N/A | N/A | N/A | N/A |
| MX150 ASSY RCP 2X10 BK A/13 | 334722277 | A-BLACK | GCP | PLR | | M | R | - | - | - | 4 | 5 | - | 7 | 8 | - | - | - | - | - | - | - | - | - | - | - | - | - | - | - | - | 16 | - | - | 19 | 20 | - | - | - | - | - | SALEABLE | | N/A | N/A | N/A | N/A |
| MX150 ASSY RCP 2X10 BK A/15 | 334722278 | A-BLACK | GCP | PLR | | M | R | - | - | - | - | - | - | 7 | - | - | - | - | - | - | - | - | - | - | - | - | - | - | - | - | - | 16 | - | - | 19 | 20 | - | - | - | - | - | SALEABLE | | N/A | N/A | N/A | N/A |
| MX150 ASSY RCP 2X10 BK A/2 | 334722279 | A-BLACK | GCP | PLR | | M | R | - | 2 | 3 | 4 | 5 | - | 7 | 8 | 9 | 10 | - | - | - | - | - | - | - | - | - | 11 | 12 | 13 | 14 | 15 | 16 | 17 | 18 | 19 | 20 | - | - | - | - | - | SALEABLE | | N/A | N/A | N/A | N/A |
| MX150 ASSY RCP 2X10 BK A/8 | 334722280 | A-BLACK | GCP | PLR | | M | R | - | 2 | 3 | 4 | 5 | - | 7 | 8 | - | - | - | - | - | - | - | - | - | - | - | - | - | 13 | 14 | - | - | 17 | 18 | 19 | 20 | - | - | - | - | - | SALEABLE | | N/A | N/A | N/A | N/A |
| MX150 ASSY RCP 2X10 BK A/13 | 334722281 | A-BLACK | GCP | PLR | | M | R | - | 2 | 3 | - | 5 | - | - | - | - | - | - | - | - | - | - | - | - | - | - | - | - | 13 | - | - | - | 17 | - | 19 | 20 | - | - | - | - | - | SALEABLE | | N/A | N/A | N/A | N/A |
| MX150 ASSY RCP 2X10 CPA BK A/2 | 334722282 | A-BLACK | GCP | PLR | CPA | M | R | - | 2 | 3 | 4 | 5 | - | 7 | 8 | 9 | 10 | - | - | - | - | - | - | - | - | - | 11 | 12 | 13 | 14 | 15 | 16 | 17 | 18 | 19 | 20 | - | - | - | - | - | SALEABLE | | N/A | N/A | N/A | N/A |
| MX150 ASSY RCP 2X10 CPA BK A/8 | 334722283 | A-BLACK | GCP | PLR | CPA | M | R | - | 2 | 3 | 4 | 5 | - | 7 | 8 | - | - | - | - | - | - | - | - | - | - | - | - | - | 13 | 14 | - | - | 17 | 18 | 19 | 20 | - | - | - | - | - | SALEABLE | | N/A | N/A | N/A | N/A |
| MX150 ASSY RCP 2X10 CPA BK A/13 | 334722284 | A-BLACK | GCP | PLR | CPA | M | R | - | 2 | 3 | - | 5 | - | - | - | - | - | - | - | - | - | - | - | - | - | - | - | - | 13 | - | - | - | 17 | - | 19 | 20 | - | - | - | - | - | SALEABLE | | N/A | N/A | N/A | N/A |
| MX150 ASSY RCP 2X10 BK A/16 | 334722285 | A-BLACK | GCP | PLR | | M | R | 1 | - | - | - | - | - | 7 | - | 9 | - | - | - | - | - | - | - | - | - | - | - | - | - | - | 15 | - | - | - | - | - | - | - | - | - | - | SALEABLE | | N/A | N/A | N/A | N/A |
| MX150 ASSY RCP 2X10 BK A/7 | 334722286 | A-BLACK | GCP | PLR | | M | R | 1 | 2 | 3 | 4 | 5 | 6 | 7 | 8 | - | - | - | - | - | - | - | - | - | - | - | - | - | - | - | - | 16 | 17 | 18 | 19 | 20 | - | - | - | - | - | SALEABLE | | N/A | N/A | N/A | N/A |

| ASSEMBLY DESCRIPTION | ASSEMBLY PART NUMBER | COMPONENT | | | | | | BLOCKED TERMINALS | | | | | | | | STATUS | COMMENT | OPTIONAL ATTACHMENTS SOLD SEPARATELY | | | | | | |
|---------------------------------|----------------------|--|-------------|-----|-----|----------|-----------|--|----|----|----|----|----|----|----|--------|---------|--------------------------------------|------------------------|-----------------------|--------------------------|-----|-----|-----|
| | | THE PRESENCE OF AN ABBREVIATION INDICATES THE PRESENCE OF THAT COMPONENT | | | | | | CAVITY WITH A NUMBER INDICATES BLOCKED TERMINAL POSITION CAVITY WITHOUT A NUMBER INDICATES OPEN TERMINAL POSITION | | | | | | | | | | BACKSHELL WITH RIBS | BACKSHELL WITHOUT RIBS | 90° ADAPTOR WITH RIBS | 90° ADAPTOR WITHOUT RIBS | | | |
| | | HOUSING KEY/COLOR | GROMMET CAP | PLR | CPA | MAT SEAL | RING SEAL | | | | | | | | | | | | | | | | | |
| MX150 ASSY RCP 2X10 BK A/15 | 334722287 | A-BLACK | GCP | PLR | | M | R | - | - | - | - | - | - | - | - | - | - | - | SALEABLE | | N/A | N/A | N/A | N/A |
| MX150 ASSY RCP 2X10 BK A/9 | 334722288 | A-BLACK | GCP | PLR | | M | R | 1 | 2 | 3 | 4 | 5 | 6 | 7 | 8 | - | - | SALEABLE | | N/A | N/A | N/A | N/A | |
| MX150 ASSY RCP 2X10 BK A/19 | 334722289 | A-BLACK | GCP | PLR | | M | R | - | - | - | - | - | - | - | - | - | - | SALEABLE | | N/A | N/A | N/A | N/A | |
| MX150 ASSY RCP 2X10 CPA BK A/12 | 334722290 | A-BLACK | GCP | PLR | CPA | M | R | - | - | - | - | - | - | - | - | - | - | SALEABLE | | N/A | N/A | N/A | N/A | |
| MX150 ASSY RCP 2X10 CPA LG B/15 | 334722291 | B-LIGHT GRAY | GCP | PLR | CPA | M | R | 11 | 12 | 13 | 14 | 15 | 16 | 17 | 18 | - | - | SALEABLE | | N/A | N/A | N/A | N/A | |
| MX150 ASSY RCP 2X10 BK A/6 | 334722292 | A-BLACK | GCP | PLR | | M | R | - | 2 | - | - | - | - | - | 8 | 9 | 10 | SALEABLE | | N/A | N/A | N/A | N/A | |
| MX150 ASSY RCP 2X10 BK A/14 | 334722293 | A-BLACK | GCP | PLR | | M | R | 11 | 12 | 13 | - | - | - | - | - | 9 | 10 | SALEABLE | | N/A | N/A | N/A | N/A | |
| MX150 ASSY RCP 2X10 BK A/12 | 334722294 | A-BLACK | GCP | PLR | | M | R | - | 2 | - | - | - | - | - | 8 | 9 | 10 | SALEABLE | | N/A | N/A | N/A | N/A | |
| MX150 ASSY RCP 2X10 BK A/6 | 334722295 | A-BLACK | GCP | PLR | | M | R | 1 | 2 | 3 | 4 | 5 | 6 | 7 | 8 | 9 | 10 | SALEABLE | | N/A | N/A | N/A | N/A | |
| MX150 ASSY RCP 2X10 BK A/17 | 334722296 | A-BLACK | GCP | PLR | | M | R | - | - | - | - | - | - | - | - | 9 | - | SALEABLE | | N/A | N/A | N/A | N/A | |
| MX150 ASSY RCP 2X10 BK A/15 | 334722297 | A-BLACK | GCP | PLR | | M | R | - | 2 | - | - | - | - | - | 8 | 9 | - | SALEABLE | | N/A | N/A | N/A | N/A | |
| MX150 ASSY RCP 2X10 BK A/11 | 334722298 | A-BLACK | GCP | PLR | | M | R | - | - | - | - | - | - | - | - | 9 | - | SALEABLE | | N/A | N/A | N/A | N/A | |
| MX150 ASSY RCP 2X10 BK A/9 | 334722299 | A-BLACK | GCP | PLR | | M | R | - | 2 | - | - | - | - | - | 8 | 9 | - | SALEABLE | | N/A | N/A | N/A | N/A | |
| MX150 ASSY RCP 2X10 BK A/9 | 334722300 | A-BLACK | GCP | PLR | | M | R | 1 | 2 | 3 | 4 | 5 | 6 | 7 | 8 | 9 | - | SALEABLE | | N/A | N/A | N/A | N/A | |
| MX150 ASSY RCP 2X10 BK A/3 | 334722301 | A-BLACK | GCP | PLR | | M | R | - | - | 13 | 14 | 15 | 16 | 17 | 18 | 19 | 20 | SALEABLE | | N/A | N/A | N/A | N/A | |
| MX150 ASSY RCP 2X10 BK A/6 | 334722302 | A-BLACK | GCP | PLR | | M | R | 1 | 2 | 3 | 4 | - | - | 7 | 8 | 9 | - | SALEABLE | | N/A | N/A | N/A | N/A | |
| MX150 ASSY RCP 2X10 BK A/8 | 334722303 | A-BLACK | GCP | PLR | | M | R | - | 12 | 13 | - | - | - | 17 | 18 | 19 | 20 | SALEABLE | | N/A | N/A | N/A | N/A | |
| MX150 ASSY RCP 2X10 BK A/3 | 334722304 | A-BLACK | GCP | PLR | | M | R | - | 2 | 3 | 4 | 5 | 6 | 7 | 8 | 9 | 10 | SALEABLE | | N/A | N/A | N/A | N/A | |
| MX150 ASSY RCP 2X10 BK A/9 | 334722305 | A-BLACK | GCP | PLR | | M | R | 11 | 12 | - | 14 | 15 | 16 | 17 | 18 | 19 | - | SALEABLE | | N/A | N/A | N/A | N/A | |
| MX150 ASSY RCP 2X10 BK A/11 | 334722306 | A-BLACK | GCP | PLR | | M | R | - | 2 | 3 | - | - | - | 7 | 8 | 9 | - | SALEABLE | | N/A | N/A | N/A | N/A | |
| MX150 ASSY RCP 2X10 BK A/14 | 334722307 | A-BLACK | GCP | PLR | | M | R | - | 12 | 13 | - | - | - | - | - | - | 20 | SALEABLE | | N/A | N/A | N/A | N/A | |
| MX150 ASSY RCP 2X10 BK A/15 | 334722308 | A-BLACK | GCP | PLR | | M | R | - | - | 3 | 4 | - | - | - | - | 9 | - | SALEABLE | | N/A | N/A | N/A | N/A | |
| MX150 ASSY RCP 2X10 BK A/17 | 334722309 | A-BLACK | GCP | PLR | | M | R | - | 12 | - | 14 | - | - | - | - | - | - | SALEABLE | | N/A | N/A | N/A | N/A | |
| MX150 ASSY RCP 2X10 BK A/12 | 334722310 | A-BLACK | GCP | PLR | | M | R | 1 | - | 3 | 4 | - | - | - | - | 9 | - | SALEABLE | | N/A | N/A | N/A | N/A | |
| MX150 ASSY RCP 2X10 BK A/9 | 334722311 | A-BLACK | GCP | PLR | | M | R | - | 12 | 13 | 14 | - | - | - | - | - | 20 | SALEABLE | | N/A | N/A | N/A | N/A | |
| MX150 ASSY RCP 2X10 BK A/7 | 334722312 | A-BLACK | GCP | PLR | | M | R | 1 | 2 | 3 | 4 | 5 | 6 | 7 | 8 | 9 | 10 | SALEABLE | | N/A | N/A | N/A | N/A | |
| MX150 ASSY RCP 2X10 CPA BK A/19 | 334722313 | A-BLACK | GCP | PLR | CPA | M | R | - | - | - | - | - | - | - | - | - | - | SALEABLE | | N/A | N/A | N/A | N/A | |

| ASSEMBLY DESCRIPTION | ASSEMBLY PART NUMBER | COMPONENT | | | | | | BLOCKED TERMINALS | | | | | | | | STATUS | COMMENT | OPTIONAL ATTACHMENTS SOLD SEPARATELY | | | | | |
|---------------------------------|----------------------|--|-------------|-----|-----|----------|-----------|--|---|---|---|---|---|---|---|--------|---------|--------------------------------------|------------------------|-----------------------|--------------------------|-----|-----|
| | | THE PRESENCE OF AN ABBREVIATION INDICATES THE PRESENCE OF THAT COMPONENT | | | | | | CAVITY WITH A NUMBER INDICATES BLOCKED TERMINAL POSITION CAVITY WITHOUT A NUMBER INDICATES OPEN TERMINAL POSITION | | | | | | | | | | BACKSHELL WITH RIBS | BACKSHELL WITHOUT RIBS | 90° ADAPTOR WITH RIBS | 90° ADAPTOR WITHOUT RIBS | | |
| | | HOUSING KEY/COLOR | GROMMET CAP | PLR | CPA | MAT SEAL | RING SEAL | 1 | 2 | 3 | 4 | 5 | 6 | 7 | 8 | | | | | | | 9 | 10 |
| MX150 ASSY RCP 2X10 CPA BK A/9 | 334722314 | A-BLACK | GCP | PLR | CPA | M | R | - | 2 | - | 4 | 5 | 6 | - | 8 | 9 | 10 | SALEABLE | | N/A | N/A | N/A | N/A |
| MX150 ASSY RCP 2X10 CPA BK A/13 | 334722315 | A-BLACK | GCP | PLR | CPA | M | R | - | 2 | - | - | 5 | 6 | - | - | 9 | 10 | SALEABLE | | N/A | N/A | N/A | N/A |
| MX150 ASSY RCP 2X10 CPA BK A/13 | 334722316 | A-BLACK | GCP | PLR | CPA | M | R | 1 | - | 3 | - | - | 6 | - | - | 9 | 10 | SALEABLE | | N/A | N/A | N/A | N/A |
| MX150 ASSY RCP 2X10 LG B/12 | 334722317 | B-LIGHT GRAY | GCP | PLR | | M | R | - | 2 | 3 | - | - | - | - | 8 | 9 | - | SALEABLE | | N/A | N/A | N/A | N/A |
| MX150 ASSY RCP 2X10 LG B/11 | 334722318 | B-LIGHT GRAY | GCP | PLR | | M | R | - | 2 | 3 | - | - | - | - | 8 | 9 | - | SALEABLE | | N/A | N/A | N/A | N/A |
| MX150 ASSY RCP 2X10 BK A/3 | 334722319 | A-BLACK | GCP | PLR | | M | R | 1 | - | 3 | 4 | 5 | - | 7 | 8 | 9 | 10 | SALEABLE | | N/A | N/A | N/A | N/A |
| MX150 ASSY RCP 2X10 LG B/17 | 334722320 | B-LIGHT GRAY | GCP | PLR | | M | R | - | - | - | 4 | - | - | - | - | - | - | SALEABLE | | N/A | N/A | N/A | N/A |
| MX150 ASSY RCP 2X10 BK A/17 | 334722321 | A-BLACK | GCP | PLR | | M | R | - | - | - | - | 5 | 6 | - | - | - | - | SALEABLE | | N/A | N/A | N/A | N/A |
| MX150 ASSY RCP 2X10 BK A/14 | 334722322 | A-BLACK | GCP | PLR | | M | R | - | - | 3 | 4 | - | - | 7 | - | - | 10 | SALEABLE | | N/A | N/A | N/A | N/A |
| MX150 ASSY RCP 2X10 LG B/12 | 334722323 | B-LIGHT GRAY | GCP | PLR | | M | R | - | 2 | - | 4 | - | - | - | 8 | 9 | - | SALEABLE | | N/A | N/A | N/A | N/A |
| MX150 ASSY RCP 2X10 LG B/13 | 334722324 | B-LIGHT GRAY | GCP | PLR | | M | R | - | 2 | - | 4 | - | - | - | 8 | 9 | - | SALEABLE | | N/A | N/A | N/A | N/A |
| MX150 ASSY RCP 2X10 LG B/12 | 334722325 | B-LIGHT GRAY | GCP | PLR | | M | R | - | 2 | - | 4 | - | - | - | 8 | 9 | - | SALEABLE | | N/A | N/A | N/A | N/A |
| MX150 ASSY RCP 2X10 LG B/11 | 334722326 | B-LIGHT GRAY | GCP | PLR | | M | R | - | 2 | - | 4 | - | - | - | 8 | 9 | - | SALEABLE | | N/A | N/A | N/A | N/A |
| MX150 ASSY RCP 2X10 LG B/9 | 334722327 | B-LIGHT GRAY | GCP | PLR | | M | R | 1 | 2 | 3 | 4 | - | - | - | 8 | 9 | 10 | SALEABLE | | N/A | N/A | N/A | N/A |
| MX150 ASSY RCP 2X10 LG B/13 | 334722328 | B-LIGHT GRAY | GCP | PLR | | M | R | - | 2 | - | 4 | - | - | - | - | 9 | - | SALEABLE | | N/A | N/A | N/A | N/A |
| MX150 ASSY RCP 2X10 LG B/14 | 334722329 | B-LIGHT GRAY | GCP | PLR | | M | R | - | 2 | - | 4 | - | - | - | - | 9 | - | SALEABLE | | N/A | N/A | N/A | N/A |
| MX150 ASSY RCP 2X10 LG B/12 | 334722330 | B-LIGHT GRAY | GCP | PLR | | M | R | - | 2 | 3 | 4 | - | - | - | - | 9 | 10 | SALEABLE | | N/A | N/A | N/A | N/A |
| MX150 ASSY RCP 2X10 LG B/13 | 334722331 | B-LIGHT GRAY | GCP | PLR | | M | R | - | 2 | 3 | 4 | - | - | - | - | 9 | 10 | SALEABLE | | N/A | N/A | N/A | N/A |
| MX150 ASSY RCP 2X10 CPA BK A/17 | 334722332 | A-BLACK | GCP | PLR | CPA | M | R | - | - | - | - | - | 6 | - | - | 9 | 10 | SALEABLE | | N/A | N/A | N/A | N/A |
| MX150 ASSY RCP 2X10 BK A/14 | 334722333 | A-BLACK | GCP | PLR | | M | R | - | 2 | 3 | - | 5 | 6 | - | - | - | - | SALEABLE | | N/A | N/A | N/A | N/A |
| MX150 ASSY RCP 2X10 BK A/8 | 334722334 | A-BLACK | GCP | PLR | | M | R | - | - | - | 4 | 5 | 6 | 7 | 8 | 9 | 10 | SALEABLE | | N/A | N/A | N/A | N/A |
| MX150 ASSY RCP 2X10 BK A/11 | 334722335 | A-BLACK | GCP | PLR | | M | R | - | - | - | - | 5 | 6 | 7 | 8 | - | - | SALEABLE | | N/A | N/A | N/A | N/A |
| MX150 ASSY RCP 2X10 BK A/14 | 334722336 | A-BLACK | GCP | PLR | | M | R | - | - | - | - | 5 | 6 | 7 | 8 | - | - | SALEABLE | | N/A | N/A | N/A | N/A |
| MX150 ASSY RCP 2X10 BK A/13 | 334722337 | A-BLACK | GCP | PLR | | M | R | - | - | - | - | 5 | 6 | 7 | 8 | - | - | SALEABLE | | N/A | N/A | N/A | N/A |
| MX150 ASSY RCP 2X10 BK A/15 | 334722338 | A-BLACK | GCP | PLR | | M | R | 1 | - | 3 | 4 | 5 | - | - | - | - | - | SALEABLE | | N/A | N/A | N/A | N/A |
| MX150 ASSY RCP 2X10 BK A/17 | 334722339 | A-BLACK | GCP | PLR | | M | R | - | 2 | - | - | - | 6 | - | - | - | - | SALEABLE | | N/A | N/A | N/A | N/A |
| MX150 ASSY RCP 2X10 BK A/6 | 334722340 | A-BLACK | GCP | PLR | | M | R | 1 | 2 | 3 | 4 | 5 | 6 | 7 | 8 | - | 10 | SALEABLE | | N/A | N/A | N/A | N/A |

| ASSEMBLY DESCRIPTION | ASSEMBLY PART NUMBER | COMPONENT | | | | | | BLOCKED TERMINALS | | | | | | | | STATUS | COMMENT | OPTIONAL ATTACHMENTS SOLD SEPARATELY | | | | | |
|---------------------------------|----------------------|--|-------------|-----|-----|----------|-----------|--|----|----|----|----|----|----|----|--------|---------|--------------------------------------|------------------------|-----------------------|--------------------------|-----|-----|
| | | THE PRESENCE OF AN ABBREVIATION INDICATES THE PRESENCE OF THAT COMPONENT | | | | | | CAVITY WITH A NUMBER INDICATES BLOCKED TERMINAL POSITION CAVITY WITHOUT A NUMBER INDICATES OPEN TERMINAL POSITION | | | | | | | | | | BACKSHELL WITH RIBS | BACKSHELL WITHOUT RIBS | 90° ADAPTOR WITH RIBS | 90° ADAPTOR WITHOUT RIBS | | |
| | | HOUSING KEY/COLOR | GROMMET CAP | PLR | CPA | MAT SEAL | RING SEAL | 1 | 2 | 3 | 4 | 5 | 6 | 7 | 8 | | | | | | | 9 | 10 |
| MX150 ASSY RCP 2X10 LG B/12 | 334722341 | B-LIGHT GRAY | GCP | PLR | | M | R | - | - | - | 4 | - | - | 7 | 8 | 9 | 10 | SALEABLE | | N/A | N/A | N/A | N/A |
| | | | | | | | | 11 | 12 | 13 | - | - | - | - | - | - | - | | | | | | |
| MX150 ASSY RCP 2X10 LG B/19 | 334722342 | B-LIGHT GRAY | GCP | PLR | | M | R | - | - | - | - | - | - | - | - | - | - | SALEABLE | | N/A | N/A | N/A | N/A |
| | | | | | | | | - | - | - | - | - | 16 | - | - | - | - | | | | | | |
| MX150 ASSY RCP 2X10 BK A/13 | 334722343 | A-BLACK | GCP | PLR | | M | R | 1 | - | - | - | 5 | 6 | - | - | - | 10 | SALEABLE | | N/A | N/A | N/A | N/A |
| | | | | | | | | 11 | - | - | - | - | - | - | - | 19 | 20 | | | | | | |
| MX150 ASSY RCP 2X10 CPA BK A/16 | 334722344 | A-BLACK | GCP | PLR | CPA | M | R | - | 2 | - | - | - | 6 | - | - | - | 10 | SALEABLE | | N/A | N/A | N/A | N/A |
| | | | | | | | | - | - | - | - | 15 | - | - | - | - | - | | | | | | |
| MX150 ASSY RCP 2X10 BK A/10 | 334722345 | A-BLACK | GCP | PLR | | M | R | - | - | - | - | 5 | 6 | 7 | 8 | 9 | - | SALEABLE | | N/A | N/A | N/A | N/A |
| | | | | | | | | 11 | 12 | 13 | - | - | - | 17 | 18 | - | - | | | | | | |
| MX150 ASSY RCP 2X10 BK A/7 | 334722346 | A-BLACK | GCP | PLR | | M | R | - | 2 | 3 | 4 | 5 | 6 | 7 | 8 | 9 | - | SALEABLE | | N/A | N/A | N/A | N/A |
| | | | | | | | | 11 | - | 13 | 14 | - | - | - | - | 19 | 20 | | | | | | |
| MX150 ASSY RCP 2X10 BK A/8 | 334722347 | A-BLACK | GCP | PLR | | M | R | - | 2 | 3 | 4 | 5 | 6 | 7 | 8 | 9 | - | SALEABLE | | N/A | N/A | N/A | N/A |
| | | | | | | | | 11 | - | - | 14 | - | - | - | - | 19 | 20 | | | | | | |
| MX150 ASSY RCP 2X10 BK A/15 | 334722348 | A-BLACK | GCP | PLR | | M | R | - | - | - | - | 5 | 6 | 7 | 8 | 9 | - | SALEABLE | | N/A | N/A | N/A | N/A |
| | | | | | | | | - | - | - | - | - | - | - | - | - | - | | | | | | |
| MX150 ASSY RCP 2X10 BK A/4 | 334722349 | A-BLACK | GCP | PLR | | M | R | 1 | 2 | 3 | 4 | - | 6 | 7 | 8 | 9 | 10 | SALEABLE | | N/A | N/A | N/A | N/A |
| | | | | | | | | - | 12 | 13 | 14 | 15 | 16 | 17 | - | - | 20 | | | | | | |
| MX150 ASSY RCP 2X10 BK A/15 | 334722350 | A-BLACK | GCP | PLR | | M | R | - | - | 3 | 4 | 5 | - | - | - | - | - | SALEABLE | | N/A | N/A | N/A | N/A |
| | | | | | | | | - | - | - | - | - | - | - | 18 | 19 | - | | | | | | |
| MX150 ASSY RCP 2X10 BK A/6 | 334722351 | A-BLACK | GCP | PLR | | M | R | - | - | 3 | 4 | - | 6 | 7 | 8 | 9 | 10 | SALEABLE | | N/A | N/A | N/A | N/A |
| | | | | | | | | - | 12 | 13 | 14 | 15 | 16 | 17 | - | - | 20 | | | | | | |
| MX150 ASSY RCP 2X10 BK A/9 | 334722352 | A-BLACK | GCP | PLR | | M | R | - | - | 3 | 4 | - | 6 | - | 8 | 9 | - | SALEABLE | | N/A | N/A | N/A | N/A |
| | | | | | | | | - | 12 | 13 | 14 | 15 | 16 | 17 | - | - | - | | | | | | |
| MX150 ASSY RCP 2X10 BK A/14 | 334722353 | A-BLACK | GCP | PLR | | M | R | - | - | 3 | 4 | 5 | 6 | - | - | - | - | SALEABLE | | N/A | N/A | N/A | N/A |
| | | | | | | | | - | - | - | - | - | - | - | 18 | 19 | - | | | | | | |
| MX150 ASSY RCP 2X10 BK A/12 | 334722354 | A-BLACK | GCP | PLR | | M | R | - | - | 3 | 4 | 5 | - | 7 | - | - | 10 | SALEABLE | | N/A | N/A | N/A | N/A |
| | | | | | | | | - | - | - | - | - | - | - | 18 | 19 | 20 | | | | | | |
| MX150 ASSY RCP 2X10 LG B/18 | 334722355 | B-LIGHT GRAY | GCP | PLR | | M | R | - | - | - | - | - | - | - | - | - | - | SALEABLE | | N/A | N/A | N/A | N/A |
| | | | | | | | | - | - | - | - | - | - | - | - | 19 | 20 | | | | | | |
| MX150 ASSY RCP 2X10 LG B/16 | 334722356 | B-LIGHT GRAY | GCP | PLR | | M | R | - | - | - | - | - | - | - | - | - | - | SALEABLE | | N/A | N/A | N/A | N/A |
| | | | | | | | | - | - | - | - | - | - | 17 | 18 | 19 | 20 | | | | | | |
| MX150 ASSY RCP 2X10 LG B/17 | 334722357 | B-LIGHT GRAY | GCP | PLR | | M | R | - | - | - | - | - | - | - | - | - | - | SALEABLE | | N/A | N/A | N/A | N/A |
| | | | | | | | | - | - | - | - | - | - | - | 18 | 19 | 20 | | | | | | |
| MX150 ASSY RCP 2X10 LG B/17 | 334722358 | B-LIGHT GRAY | GCP | PLR | | M | R | - | - | - | - | - | - | - | - | - | - | SALEABLE | | N/A | N/A | N/A | N/A |
| | | | | | | | | 11 | - | 13 | - | - | - | - | - | - | 20 | | | | | | |
| MX150 ASSY RCP 2X10 BK A/18 | 334722359 | A-BLACK | GCP | PLR | | M | R | - | - | - | - | - | - | - | - | - | - | SALEABLE | | N/A | N/A | N/A | N/A |
| | | | | | | | | - | - | - | - | - | - | - | - | 19 | 20 | | | | | | |
| MX150 ASSY RCP 2X10 LG B/19 | 334722360 | B-LIGHT GRAY | GCP | PLR | | M | R | - | - | - | - | - | - | - | - | - | - | SALEABLE | | N/A | N/A | N/A | N/A |
| | | | | | | | | - | - | - | - | - | - | - | - | - | 20 | | | | | | |
| MX150 ASSY RCP 2X10 LG B/17 | 334722361 | B-LIGHT GRAY | GCP | PLR | | M | R | - | - | - | - | - | - | - | - | - | - | SALEABLE | | N/A | N/A | N/A | N/A |
| | | | | | | | | - | - | - | - | - | - | 17 | 18 | - | 20 | | | | | | |
| MX150 ASSY RCP 2X10 LG B/17 | 334722362 | B-LIGHT GRAY | GCP | PLR | | M | R | - | - | - | - | - | - | - | - | - | - | SALEABLE | | N/A | N/A | N/A | N/A |
| | | | | | | | | - | - | - | - | 15 | - | - | - | 19 | 20 | | | | | | |
| MX150 ASSY RCP 2X10 LG B/11 | 334722363 | B-LIGHT GRAY | GCP | PLR | | M | R | - | - | - | - | - | - | - | - | - | 10 | SALEABLE | | N/A | N/A | N/A | N/A |
| | | | | | | | | 11 | 12 | 13 | - | - | 16 | 17 | 18 | 19 | 20 | | | | | | |
| MX150 ASSY RCP 2X10 LG B/15 | 334722364 | B-LIGHT GRAY | GCP | PLR | | M | R | - | - | - | - | - | - | - | - | - | - | SALEABLE | | N/A | N/A | N/A | N/A |
| | | | | | | | | - | - | - | - | - | 16 | 17 | 18 | 19 | 20 | | | | | | |
| MX150 ASSY RCP 2X10 LG B/9 | 334722365 | B-LIGHT GRAY | GCP | PLR | | M | R | - | 2 | - | - | - | - | - | - | - | - | SALEABLE | | N/A | N/A | N/A | N/A |
| | | | | | | | | 11 | 12 | 13 | 14 | 15 | 16 | 17 | 18 | 19 | 20 | | | | | | |
| MX150 ASSY RCP 2X10 CPA LG B/17 | 334722366 | B-LIGHT GRAY | GCP | PLR | CPA | M | R | - | - | - | 4 | - | - | - | - | - | - | SALEABLE | | N/A | N/A | N/A | N/A |
| | | | | | | | | - | - | 13 | - | - | 16 | - | - | - | - | | | | | | |
| MX150 ASSY RCP 2X10 CPA LG B/12 | 334722367 | B-LIGHT GRAY | GCP | PLR | CPA | M | R | - | - | - | 4 | - | - | 7 | 8 | 9 | 10 | SALEABLE | | N/A | N/A | N/A | N/A |
| | | | | | | | | 11 | 12 | 13 | - | - | - | - | - | - | - | | | | | | |

| ASSEMBLY DESCRIPTION | ASSEMBLY PART NUMBER | COMPONENT | | | | | | BLOCKED TERMINALS | | | | | | | | | | STATUS | COMMENT | OPTIONAL ATTACHMENTS SOLD SEPARATELY | | | | | | | | |
|------------------------------------|----------------------|--|-------------|-----|-----|----------|-----------|--|---|---|---|---|---|---|---|---|----|--------|---------|--------------------------------------|------------------------|-----------------------|--------------------------|--|------------|------------|------------|------------|
| | | THE PRESENCE OF AN ABBREVIATION INDICATES THE PRESENCE OF THAT COMPONENT | | | | | | CAVITY WITH A NUMBER INDICATES BLOCKED TERMINAL POSITION CAVITY WITHOUT A NUMBER INDICATES OPEN TERMINAL POSITION | | | | | | | | | | | | BACKSHELL WITH RIBS | BACKSHELL WITHOUT RIBS | 90° ADAPTOR WITH RIBS | 90° ADAPTOR WITHOUT RIBS | | | | | |
| | | HOUSING KEY/COLOR | GROMMET CAP | PLR | CPA | MAT SEAL | RING SEAL | | | | | | | | | | | | | | | | | | | | | |
| MX150 ASSY RCP 2X10 CPA LG B/19 | 334722368 | B-LIGHT GRAY | GCP | PLR | CPA | M | R | - | - | - | - | - | - | - | - | - | - | - | - | - | - | - | SALEABLE | | N/A | N/A | N/A | N/A |
| MX150 ASSY RCP 2X10 LG B/15 | 334722369 | B-LIGHT GRAY | GCP | PLR | | M | R | - | - | 3 | - | - | - | - | - | - | - | - | - | - | - | - | SALEABLE | | N/A | N/A | N/A | N/A |
| MX150 ASSY RCP 2X10 CS BK A/20 | 334722501 | A-BLACK-CLIP | GCO | PLR | | M | R | - | - | - | - | - | - | - | - | - | - | - | - | - | - | - | SALEABLE | | 34951-2011 | 34951-2021 | 34951-1631 | 34951-1641 |
| MX150 ASSY RCP 2X10 CS LG B/20 | 334722502 | B-LIGHT GRAY-CLIP | GCO | PLR | | M | R | - | - | - | - | - | - | - | - | - | - | - | - | - | - | - | SALEABLE | | 34951-2011 | 34951-2021 | 34951-1631 | 34951-1641 |
| MX150 ASSY RCP 2X10 CS DG C/20 | 334722503 | C-DARK GRAY-CLIP | GCO | PLR | | M | R | - | - | - | - | - | - | - | - | - | - | - | - | - | - | - | SALEABLE | | 34951-2011 | 34951-2021 | 34951-1631 | 34951-1641 |
| MX150 ASSY RCP 2X10 CS SG D/20 | 334722504 | D-STONE GRAY-CLIP | GCO | PLR | | M | R | - | - | - | - | - | - | - | - | - | - | - | - | - | - | - | SALEABLE | | 34951-2011 | 34951-2021 | 34951-1631 | 34951-1641 |
| MX150 ASSY RCP 2X10 CS YW A/20 | 334722505 | A-YELLOW-CLIP | GCO | PLR | | M | R | - | - | - | - | - | - | - | - | - | - | - | - | - | - | - | SALEABLE | | 34951-2011 | 34951-2021 | 34951-1631 | 34951-1641 |
| MX150 ASSY RCP 2X10 CS CPA BK A/20 | 334722506 | A-BLACK-CLIP | GCO | PLR | CPA | M | R | - | - | - | - | - | - | - | - | - | - | - | - | - | - | - | SALEABLE | | 34951-2011 | 34951-2021 | 34951-1631 | 34951-1641 |
| MX150 ASSY RCP 2X10 CS CPA LG B/20 | 334722507 | B-LIGHT GRAY-CLIP | GCO | PLR | CPA | M | R | - | - | - | - | - | - | - | - | - | - | - | - | - | - | - | SALEABLE | | 34951-2011 | 34951-2021 | 34951-1631 | 34951-1641 |
| MX150 ASSY RCP 2X10 CS CPA DG C/20 | 334722508 | C-DARK GRAY-CLIP | GCO | PLR | CPA | M | R | - | - | - | - | - | - | - | - | - | - | - | - | - | - | - | SALEABLE | | 34951-2011 | 34951-2021 | 34951-1631 | 34951-1641 |
| MX150 ASSY RCP 2X10 CS CPA SG D/20 | 334722509 | D-STONE GRAY-CLIP | GCO | PLR | CPA | M | R | - | - | - | - | - | - | - | - | - | - | - | - | - | - | - | SALEABLE | | 34951-2011 | 34951-2021 | 34951-1631 | 34951-1641 |
| MX150 ASSY RCP 2X10 CS CPA YW A/20 | 334722510 | A-YELLOW-CLIP | GCO | PLR | CPA | M | R | - | - | - | - | - | - | - | - | - | - | - | - | - | - | - | SALEABLE | | 34951-2011 | 34951-2021 | 34951-1631 | 34951-1641 |
| MX150 ASSY RCP 2X10 CS BK A/13 | 334722511 | A-BLACK-CLIP | GCP | PLR | | M | R | - | - | - | - | 5 | 6 | 7 | 8 | - | - | - | - | - | - | - | SALEABLE | | 34951-2011 | 34951-2021 | 34951-1631 | 34951-1641 |
| MX150 ASSY RCP 2X10 CS BK A/14 | 334722512 | A-BLACK-CLIP | GCP | PLR | | M | R | - | - | - | - | 5 | 6 | 7 | 8 | - | - | - | - | - | - | - | SALEABLE | | 34951-2011 | 34951-2021 | 34951-1631 | 34951-1641 |
| MX150 ASSY RCP 2X10 CS BK A/8 | 334722513 | A-BLACK-CLIP | GCP | PLR | | M | R | - | - | - | 4 | 5 | 6 | 7 | 8 | 9 | 10 | - | - | - | - | - | SALEABLE | | 34951-2011 | 34951-2021 | 34951-1631 | 34951-1641 |
| MX150 ASSY RCP 2X10 CS BK A/11 | 334722514 | A-BLACK-CLIP | GCP | PLR | | M | R | - | - | - | - | 5 | 6 | 7 | 8 | - | - | - | - | - | - | - | SALEABLE | | 34951-2011 | 34951-2021 | 34951-1631 | 34951-1641 |
| MX150 ASSY RCP 2X10 CS BK A/7 | 334722515 | A-BLACK-CLIP | GCP | PLR | | M | R | - | - | - | 4 | 5 | 6 | 7 | - | 9 | 10 | - | - | - | - | - | SALEABLE | | 34951-2011 | 34951-2021 | 34951-1631 | 34951-1641 |
| MX150 ASSY RCP 2X10 CS BK A/12 | 334722516 | A-BLACK-CLIP | GCP | PLR | | M | R | - | - | - | 4 | 5 | 6 | 7 | - | 9 | 10 | - | - | - | - | - | SALEABLE | | 34951-2011 | 34951-2021 | 34951-1631 | 34951-1641 |
| MX150 ASSY RCP 2X10 CS BK A/10 | 334722517 | A-BLACK-CLIP | GCP | PLR | | M | R | - | - | - | - | 5 | 6 | 7 | - | - | - | - | - | - | - | - | SALEABLE | | 34951-2011 | 34951-2021 | 34951-1631 | 34951-1641 |
| MX150 ASSY RCP 2X10 CS BK A/16 | 334722518 | A-BLACK-CLIP | GCP | PLR | | M | R | - | - | - | - | 5 | 6 | 7 | 8 | - | - | - | - | - | - | - | SALEABLE | | 34951-2011 | 34951-2021 | 34951-1631 | 34951-1641 |
| MX150 ASSY RCP 2X10 CS BK A/10 | 334722519 | A-BLACK-CLIP | GCP | PLR | | M | R | - | - | - | 4 | 5 | 6 | 7 | - | 9 | 10 | - | - | - | - | - | SALEABLE | | 34951-2011 | 34951-2021 | 34951-1631 | 34951-1641 |
| MX150 ASSY RCP 2X10 CS BK A/13 | 334722520 | A-BLACK-CLIP | GCP | PLR | | M | R | - | - | - | - | 5 | 6 | 7 | - | - | - | - | - | - | - | - | SALEABLE | | 34951-2011 | 34951-2021 | 34951-1631 | 34951-1641 |
| MX150 ASSY RCP 2X10 CS BK A/6 | 334722521 | A-BLACK-CLIP | GCP | PLR | | M | R | - | - | - | 4 | 5 | 6 | 7 | 8 | 9 | 10 | - | - | - | - | - | SALEABLE | | 34951-2011 | 34951-2021 | 34951-1631 | 34951-1641 |
| MX150 ASSY RCP 2X10 CS BK A/8 | 334722522 | A-BLACK-CLIP | GCP | PLR | | M | R | - | - | - | 4 | 5 | 6 | 7 | 8 | 9 | 10 | - | - | - | - | - | SALEABLE | | 34951-2011 | 34951-2021 | 34951-1631 | 34951-1641 |
| MX150 ASSY RCP 2X10 CS BK A/9 | 334722523 | A-BLACK-CLIP | GCP | PLR | | M | R | - | - | - | - | 5 | 6 | 7 | 8 | - | - | - | - | - | - | - | SALEABLE | | 34951-2011 | 34951-2021 | 34951-1631 | 34951-1641 |
| MX150 ASSY RCP 2X10 CS BK A/11 | 334722524 | A-BLACK-CLIP | GCP | PLR | | M | R | - | - | - | - | 5 | 6 | 7 | 8 | - | - | - | - | - | - | - | SALEABLE | | 34951-2011 | 34951-2021 | 34951-1631 | 34951-1641 |
| MX150 ASSY RCP 2X10 CS BK A/9 | 334722525 | A-BLACK-CLIP | GCP | PLR | | M | R | - | - | - | 4 | 5 | 6 | 7 | 8 | 9 | 10 | - | - | - | - | - | SALEABLE | | 34951-2011 | 34951-2021 | 34951-1631 | 34951-1641 |

| ASSEMBLY DESCRIPTION | ASSEMBLY PART NUMBER | COMPONENT | | | | | | BLOCKED TERMINALS | | | | | | | | STATUS | COMMENT | OPTIONAL ATTACHMENTS SOLD SEPARATELY | | | | | |
|--------------------------------|----------------------|--|-------------|-----|-----|----------|-----------|--|----|----|----|----|---|----|----|--------|---------|--------------------------------------|------------------------|-----------------------|--------------------------|------------|------------|
| | | THE PRESENCE OF AN ABBREVIATION INDICATES THE PRESENCE OF THAT COMPONENT | | | | | | CAVITY WITH A NUMBER INDICATES BLOCKED TERMINAL POSITION CAVITY WITHOUT A NUMBER INDICATES OPEN TERMINAL POSITION | | | | | | | | | | BACKSHELL WITH RIBS | BACKSHELL WITHOUT RIBS | 90° ADAPTOR WITH RIBS | 90° ADAPTOR WITHOUT RIBS | | |
| | | HOUSING KEY/COLOR | GROMMET CAP | PLR | CPA | MAT SEAL | RING SEAL | 1 | 2 | 3 | 4 | 5 | 6 | 7 | 8 | | | | | | | 9 | 10 |
| MX150 ASSY RCP 2X10 CS BK A/11 | 334722526 | A-BLACK-CLIP | GCP | PLR | | M | R | - | - | - | 4 | 5 | 6 | 7 | 8 | 9 | 10 | SALEABLE | | 34951-2011 | 34951-2021 | 34951-1631 | 34951-1641 |
| MX150 ASSY RCP 2X10 CS BK A/12 | 334722527 | A-BLACK-CLIP | GCP | PLR | | M | R | - | - | - | - | 5 | 6 | 7 | 8 | - | - | SALEABLE | | 34951-2011 | 34951-2021 | 34951-1631 | 34951-1641 |
| MX150 ASSY RCP 2X10 CS BK A/14 | 334722528 | A-BLACK-CLIP | GCP | PLR | | M | R | 11 | 12 | - | - | - | - | - | 18 | 19 | - | SALEABLE | | 34951-2011 | 34951-2021 | 34951-1631 | 34951-1641 |
| MX150 ASSY RCP 2X10 CS BK A/9 | 334722529 | A-BLACK-CLIP | GCP | PLR | | M | R | - | - | - | 4 | - | - | 7 | 8 | 9 | 10 | SALEABLE | | 34951-2011 | 34951-2021 | 34951-1631 | 34951-1641 |
| MX150 ASSY RCP 2X10 CS BK A/11 | 334722530 | A-BLACK-CLIP | GCP | PLR | | M | R | - | - | - | 4 | - | - | 7 | 8 | 9 | 10 | SALEABLE | | 34951-2011 | 34951-2021 | 34951-1631 | 34951-1641 |
| MX150 ASSY RCP 2X10 CS BK A/12 | 334722531 | A-BLACK-CLIP | GCP | PLR | | M | R | - | - | - | - | - | - | 7 | 8 | - | - | SALEABLE | | 34951-2011 | 34951-2021 | 34951-1631 | 34951-1641 |
| MX150 ASSY RCP 2X10 CS BK A/14 | 334722532 | A-BLACK-CLIP | GCP | PLR | | M | R | 11 | 12 | 13 | 14 | - | - | - | 18 | 19 | - | SALEABLE | | 34951-2011 | 34951-2021 | 34951-1631 | 34951-1641 |
| MX150 ASSY RCP 2X10 CS BK A/15 | 334722533 | A-BLACK-CLIP | GCP | PLR | | M | R | - | - | - | - | 5 | 6 | 7 | - | - | - | SALEABLE | | 34951-2011 | 34951-2021 | 34951-1631 | 34951-1641 |
| MX150 ASSY RCP 2X10 CS BK A/10 | 334722534 | A-BLACK-CLIP | GCP | PLR | | M | R | - | - | - | 4 | 5 | 6 | 7 | 8 | 9 | 10 | SALEABLE | | 34951-2011 | 34951-2021 | 34951-1631 | 34951-1641 |
| MX150 ASSY RCP 2X10 CS BK A/8 | 334722535 | A-BLACK-CLIP | GCP | PLR | | M | R | 11 | 12 | - | - | 15 | - | - | - | - | - | SALEABLE | | 34951-2011 | 34951-2021 | 34951-1631 | 34951-1641 |
| MX150 ASSY RCP 2X10 CS BK A/10 | 334722536 | A-BLACK-CLIP | GCP | PLR | | M | R | - | - | - | 4 | 5 | 6 | 7 | 8 | 9 | 10 | SALEABLE | | 34951-2011 | 34951-2021 | 34951-1631 | 34951-1641 |
| MX150 ASSY RCP 2X10 CS BK A/11 | 334722537 | A-BLACK-CLIP | GCP | PLR | | M | R | - | - | - | - | 5 | 6 | 7 | 8 | - | - | SALEABLE | | 34951-2011 | 34951-2021 | 34951-1631 | 34951-1641 |
| MX150 ASSY RCP 2X10 CS BK A/13 | 334722538 | A-BLACK-CLIP | GCP | PLR | | M | R | - | - | - | - | 5 | 6 | 7 | 8 | - | - | SALEABLE | | 34951-2011 | 34951-2021 | 34951-1631 | 34951-1641 |
| MX150 ASSY RCP 2X10 CS BK A/11 | 334722539 | A-BLACK-CLIP | GCP | PLR | | M | R | - | - | - | 4 | 5 | 6 | 7 | 8 | 9 | 10 | SALEABLE | | 34951-2011 | 34951-2021 | 34951-1631 | 34951-1641 |
| MX150 ASSY RCP 2X10 BK A/15 | 334722540 | A-BLACK | GCP | PLR | | M | R | - | - | - | - | - | 6 | - | - | - | - | SALEABLE | | N/A | N/A | N/A | N/A |
| MX150 ASSY RCP 2X10 BK A/12 | 334722541 | A-BLACK | GCP | PLR | | M | R | - | 2 | - | - | - | 6 | 7 | - | - | 10 | SALEABLE | | N/A | N/A | N/A | N/A |
| MX150 ASSY RCP 2X10 BK A/10 | 334722542 | A-BLACK | GCP | PLR | | M | R | - | 2 | 3 | - | - | 6 | 7 | - | - | 10 | SALEABLE | | N/A | N/A | N/A | N/A |
| MX150 ASSY RCP 2X10 BK A/10 | 334722543 | A-BLACK | GCP | PLR | | M | R | 11 | - | - | - | - | - | 17 | 18 | 19 | 20 | SALEABLE | | N/A | N/A | N/A | N/A |
| MX150 ASSY RCP 2X10 BK A/8 | 334722544 | A-BLACK | GCP | PLR | | M | R | 1 | 2 | 3 | - | - | 6 | 7 | 8 | - | 10 | SALEABLE | | N/A | N/A | N/A | N/A |
| MX150 ASSY RCP 2X10 BK A/14 | 334722545 | A-BLACK | GCP | PLR | | M | R | - | - | 3 | - | - | - | - | - | - | - | SALEABLE | | N/A | N/A | N/A | N/A |
| MX150 ASSY RCP 2X10 BK A/12 | 334722546 | A-BLACK | GCP | PLR | | M | R | 11 | - | - | - | - | - | 17 | 18 | 19 | 20 | SALEABLE | | N/A | N/A | N/A | N/A |
| MX150 ASSY RCP 2X10 BK A/9 | 334722547 | A-BLACK | GCP | PLR | | M | R | 1 | 2 | 3 | - | - | - | 7 | 8 | - | 10 | SALEABLE | | N/A | N/A | N/A | N/A |
| MX150 ASSY RCP 2X10 BK A/16 | 334722548 | A-BLACK | GCP | PLR | | M | R | - | - | 3 | - | - | 6 | - | - | - | - | SALEABLE | | N/A | N/A | N/A | N/A |
| MX150 ASSY RCP 2X10 BK A/12 | 334722549 | A-BLACK | GCP | PLR | | M | R | - | 12 | 13 | - | - | - | - | - | - | - | SALEABLE | | N/A | N/A | N/A | N/A |
| MX150 ASSY RCP 2X10 BK A/14 | 334722550 | A-BLACK | GCP | PLR | | M | R | 1 | - | 3 | - | 5 | 6 | 7 | - | - | - | SALEABLE | | N/A | N/A | N/A | N/A |
| MX150 ASSY RCP 2X10 BK A/12 | 334722551 | A-BLACK | GCP | PLR | | M | R | - | - | - | - | 5 | - | - | 8 | - | - | SALEABLE | | N/A | N/A | N/A | N/A |
| MX150 ASSY RCP 2X10 BK A/14 | 334722552 | A-BLACK | GCP | PLR | | M | R | - | 2 | 3 | - | - | 6 | - | 8 | - | - | SALEABLE | | N/A | N/A | N/A | N/A |

| ASSEMBLY DESCRIPTION | ASSEMBLY PART NUMBER | COMPONENT | | | | | | BLOCKED TERMINALS | | | | | | | | STATUS | COMMENT | OPTIONAL ATTACHMENTS SOLD SEPARATELY | | | | | |
|---------------------------------|----------------------|--|-------------|-----|-----|----------|-----------|--|----|----|----|----|----|----|----|--------|---------|--------------------------------------|------------------------|-----------------------|--------------------------|-----|-----|
| | | THE PRESENCE OF AN ABBREVIATION INDICATES THE PRESENCE OF THAT COMPONENT | | | | | | CAVITY WITH A NUMBER INDICATES BLOCKED TERMINAL POSITION CAVITY WITHOUT A NUMBER INDICATES OPEN TERMINAL POSITION | | | | | | | | | | BACKSHELL WITH RIBS | BACKSHELL WITHOUT RIBS | 90° ADAPTOR WITH RIBS | 90° ADAPTOR WITHOUT RIBS | | |
| | | HOUSING KEY/COLOR | GROMMET CAP | PLR | CPA | MAT SEAL | RING SEAL | 1 | 2 | 3 | 4 | 5 | 6 | 7 | 8 | | | | | | | 9 | 10 |
| MX150 ASSY RCP 2X10 BK A/10 | 334722553 | A-BLACK | GCP | PLR | | M | R | 1 | 2 | 3 | - | 5 | 6 | 7 | 8 | - | - | SALEABLE | | N/A | N/A | N/A | N/A |
| | | | | | | | | 11 | 12 | 13 | - | - | - | - | - | - | - | | | | | | |
| MX150 ASSY RCP 2X10 BK A/12 | 334722554 | A-BLACK | GCP | PLR | | M | R | - | 2 | 3 | - | 5 | 6 | - | 8 | - | - | SALEABLE | | N/A | N/A | N/A | N/A |
| | | | | | | | | 11 | 12 | 13 | - | - | - | - | - | - | - | | | | | | |
| MX150 ASSY RCP 2X10 BK A/14 | 334722555 | A-BLACK | GCP | PLR | | M | R | 1 | - | - | - | - | - | - | - | 9 | 10 | SALEABLE | | N/A | N/A | N/A | N/A |
| | | | | | | | | 11 | 12 | - | - | - | - | - | - | - | 20 | | | | | | |
| MX150 ASSY RCP 2X10 BK A/12 | 334722556 | A-BLACK | GCP | PLR | | M | R | 1 | - | 3 | 4 | - | - | - | - | 9 | 10 | SALEABLE | | N/A | N/A | N/A | N/A |
| | | | | | | | | 11 | 12 | - | - | - | - | - | - | - | 20 | | | | | | |
| MX150 ASSY RCP 2X10 BK A/8 | 334722557 | A-BLACK | GCP | PLR | | M | R | 1 | - | 3 | 4 | 5 | 6 | 7 | 8 | 9 | 10 | SALEABLE | | N/A | N/A | N/A | N/A |
| | | | | | | | | 11 | 12 | - | - | - | - | - | - | - | 20 | | | | | | |
| MX150 ASSY RCP 2X10 CPA BK A/12 | 334722558 | A-BLACK | GCP | PLR | CPA | M | R | - | - | - | - | 5 | - | - | - | 9 | - | SALEABLE | | N/A | N/A | N/A | N/A |
| | | | | | | | | - | 12 | - | - | 15 | 16 | - | 18 | 19 | 20 | | | | | | |
| MX150 ASSY RCP 2X10 CPA LG B/6 | 334722559 | B-LIGHT GRAY | GCP | PLR | CPA | M | R | - | - | - | - | 5 | 6 | 7 | 8 | 9 | 10 | SALEABLE | | N/A | N/A | N/A | N/A |
| | | | | | | | | 11 | 12 | 13 | 14 | - | - | 17 | 18 | 19 | 20 | | | | | | |
| MX150 ASSY RCP 2X10 CPA LG B/8 | 334722560 | B-LIGHT GRAY | GCP | PLR | CPA | M | R | 1 | 2 | 3 | 4 | 5 | 6 | 7 | 8 | - | - | SALEABLE | | N/A | N/A | N/A | N/A |
| | | | | | | | | - | - | 13 | - | - | 16 | - | - | 19 | 20 | | | | | | |
| MX150 ASSY RCP 2X10 BK A/10 | 334722561 | A-BLACK | GCP | PLR | | M | R | 1 | 2 | 3 | - | - | 6 | 7 | - | - | 10 | SALEABLE | | N/A | N/A | N/A | N/A |
| | | | | | | | | 11 | 12 | - | - | - | 16 | - | - | 19 | - | | | | | | |
| MX150 ASSY RCP 2X10 BK A/15 | 334722562 | A-BLACK | GCP | PLR | | M | R | - | 2 | 3 | - | - | 6 | - | - | - | 10 | SALEABLE | | N/A | N/A | N/A | N/A |
| | | | | | | | | - | 12 | - | - | - | - | - | - | - | - | | | | | | |
| MX150 ASSY RCP 2X10 BK A/3 | 334722563 | A-BLACK | GCP | PLR | | M | R | 1 | 2 | 3 | 4 | 5 | 6 | - | 8 | - | 10 | SALEABLE | | N/A | N/A | N/A | N/A |
| | | | | | | | | 11 | 12 | 13 | 14 | 15 | 16 | - | 18 | 19 | 20 | | | | | | |
| MX150 ASSY RCP 2X10 BK A/16 | 334722564 | A-BLACK | GCP | PLR | | M | R | 1 | - | - | - | - | - | - | 8 | - | - | SALEABLE | | N/A | N/A | N/A | N/A |
| | | | | | | | | 11 | - | - | - | - | - | - | - | - | 20 | | | | | | |
| MX150 ASSY RCP 2X10 BK A/13 | 334722565 | A-BLACK | GCP | PLR | | M | R | 1 | - | - | - | - | 6 | 7 | 8 | 9 | - | SALEABLE | | N/A | N/A | N/A | N/A |
| | | | | | | | | 11 | - | - | - | - | - | - | - | - | 20 | | | | | | |
| MX150 ASSY RCP 2X10 LG B/17 | 334722566 | B-LIGHT GRAY | GCP | PLR | | M | R | - | - | - | - | 5 | 6 | - | - | - | - | SALEABLE | | N/A | N/A | N/A | N/A |
| | | | | | | | | - | - | - | - | - | - | - | - | 19 | - | | | | | | |
| MX150 ASSY RCP 2X10 LG B/18 | 334722567 | B-LIGHT GRAY | GCP | PLR | | M | R | - | - | 3 | - | - | - | - | - | - | - | SALEABLE | | N/A | N/A | N/A | N/A |
| | | | | | | | | - | - | - | 14 | - | - | - | - | - | - | | | | | | |
| MX150 ASSY RCP 2X10 BK A/17 | 334722568 | A-BLACK | GCP | PLR | | M | R | - | - | 3 | - | - | - | - | 8 | - | - | SALEABLE | | N/A | N/A | N/A | N/A |
| | | | | | | | | - | - | - | - | - | - | - | - | - | 20 | | | | | | |
| MX150 ASSY RCP 2X10 BK A/15 | 334722569 | A-BLACK | GCP | PLR | | M | R | - | - | - | - | - | - | - | - | 9 | 10 | SALEABLE | | N/A | N/A | N/A | N/A |
| | | | | | | | | 11 | 12 | - | - | - | - | - | - | - | 20 | | | | | | |
| MX150 ASSY RCP 2X10 BK A/16 | 334722570 | A-BLACK | GCP | PLR | | M | R | 1 | - | - | - | - | - | - | - | - | - | SALEABLE | | N/A | N/A | N/A | N/A |
| | | | | | | | | 11 | - | - | - | - | - | - | - | 19 | 20 | | | | | | |
| MX150 ASSY RCP 2X10 BK A/6 | 334722571 | A-BLACK | GCP | PLR | | M | R | 1 | - | - | - | - | - | - | 8 | 9 | 10 | SALEABLE | | N/A | N/A | N/A | N/A |
| | | | | | | | | 11 | 12 | 13 | 14 | 15 | 16 | 17 | 18 | 19 | 20 | | | | | | |
| MX150 ASSY RCP 2X10 BK A/15 | 334722572 | A-BLACK | GCP | PLR | | M | R | 1 | - | - | - | - | 6 | - | - | - | - | SALEABLE | | N/A | N/A | N/A | N/A |
| | | | | | | | | 11 | - | - | - | - | - | - | - | 19 | 20 | | | | | | |
| MX150 ASSY RCP 2X10 BK A/5 | 334722573 | A-BLACK | GCP | PLR | | M | R | 1 | - | - | - | - | 6 | - | 8 | 9 | 10 | SALEABLE | | N/A | N/A | N/A | N/A |
| | | | | | | | | 11 | 12 | 13 | 14 | 15 | 16 | 17 | 18 | 19 | 20 | | | | | | |
| MX150 ASSY RCP 2X10 BK A/8 | 334722574 | A-BLACK | GCP | PLR | | M | R | 1 | - | - | - | - | - | - | 8 | 9 | 10 | SALEABLE | | N/A | N/A | N/A | N/A |
| | | | | | | | | - | 12 | - | 14 | 15 | 16 | 17 | 18 | 19 | 20 | | | | | | |
| MX150 ASSY RCP 2X10 BK A/12 | 334722575 | A-BLACK | GCP | PLR | | M | R | 1 | - | - | - | - | - | - | - | - | - | SALEABLE | | N/A | N/A | N/A | N/A |
| | | | | | | | | - | - | - | 14 | 15 | 16 | 17 | 18 | 19 | 20 | | | | | | |
| MX150 ASSY RCP 2X10 BK A/11 | 334722576 | A-BLACK | GCP | PLR | | M | R | 1 | - | - | - | - | 6 | - | - | - | - | SALEABLE | | N/A | N/A | N/A | N/A |
| | | | | | | | | - | - | - | 14 | 15 | 16 | 17 | 18 | 19 | 20 | | | | | | |
| MX150 ASSY RCP 2X10 BK A/7 | 334722577 | A-BLACK | GCP | PLR | | M | R | 1 | - | - | - | - | 6 | - | 8 | 9 | 10 | SALEABLE | | N/A | N/A | N/A | N/A |
| | | | | | | | | - | 12 | - | 14 | 15 | 16 | 17 | 18 | 19 | 20 | | | | | | |
| MX150 ASSY RCP 2X10 BK A/16 | 334722578 | A-BLACK | GCP | PLR | | M | R | 1 | 2 | 3 | - | - | - | - | - | 9 | - | SALEABLE | | N/A | N/A | N/A | N/A |
| | | | | | | | | - | - | - | - | - | - | - | - | - | - | | | | | | |
| MX150 ASSY RCP 2X10 BK A/11 | 334722579 | A-BLACK | GCP | PLR | | M | R | 1 | 2 | 3 | - | - | - | - | - | - | - | SALEABLE | | N/A | N/A | N/A | N/A |
| | | | | | | | | - | - | 13 | 14 | 15 | 16 | 17 | 18 | - | - | | | | | | |

| ASSEMBLY DESCRIPTION | ASSEMBLY PART NUMBER | COMPONENT | | | | | | BLOCKED TERMINALS | | | | | | | | STATUS | COMMENT | OPTIONAL ATTACHMENTS SOLD SEPARATELY | | | | | | | |
|---------------------------------|----------------------|--|-------------|-----|-----|----------|-----------|--|----|----|----|----|----|----|----|--------|---------|--------------------------------------|------------------------|-----------------------|--------------------------|-----|-----|----|----|
| | | THE PRESENCE OF AN ABBREVIATION INDICATES THE PRESENCE OF THAT COMPONENT | | | | | | CAVITY WITH A NUMBER INDICATES BLOCKED TERMINAL POSITION CAVITY WITHOUT A NUMBER INDICATES OPEN TERMINAL POSITION | | | | | | | | | | BACKSHELL WITH RIBS | BACKSHELL WITHOUT RIBS | 90° ADAPTOR WITH RIBS | 90° ADAPTOR WITHOUT RIBS | | | | |
| | | HOUSING KEY/COLOR | GROMMET CAP | PLR | CPA | MAT SEAL | RING SEAL | 1 | 2 | 3 | 4 | 5 | 6 | 7 | 8 | | | | | | | 9 | 10 | 11 | 12 |
| MX150 ASSY RCP 2X10 BK A/18 | 334722580 | A-BLACK | GCP | PLR | | M | R | - | - | 3 | - | - | - | - | - | 9 | - | | | N/A | N/A | N/A | N/A | | |
| MX150 ASSY RCP 2X10 BK A/12 | 334722581 | A-BLACK | GCP | PLR | | M | R | - | - | 3 | - | - | - | - | - | 9 | - | | | N/A | N/A | N/A | N/A | | |
| MX150 ASSY RCP 2X10 BK A/9 | 334722582 | A-BLACK | GCP | PLR | | M | R | 1 | - | 3 | - | - | 6 | 7 | 8 | - | 10 | | | N/A | N/A | N/A | N/A | | |
| MX150 ASSY RCP 2X10 BK A/6 | 334722583 | A-BLACK | GCP | PLR | | M | R | 11 | - | - | - | - | - | 17 | 18 | 19 | 20 | | | N/A | N/A | N/A | N/A | | |
| MX150 ASSY RCP 2X10 BK A/5 | 334722584 | A-BLACK | GCP | PLR | | M | R | 1 | 2 | 3 | 4 | 5 | 6 | 7 | 8 | - | 10 | | | N/A | N/A | N/A | N/A | | |
| MX150 ASSY RCP 2X10 BK A/9 | 334722585 | A-BLACK | GCP | PLR | | M | R | 11 | 12 | - | - | - | - | 17 | 18 | 19 | 20 | | | N/A | N/A | N/A | N/A | | |
| MX150 ASSY RCP 2X10 BK A/8 | 334722586 | A-BLACK | GCP | PLR | | M | R | 1 | - | 3 | 4 | 5 | - | - | 8 | - | 10 | | | N/A | N/A | N/A | N/A | | |
| MX150 ASSY RCP 2X10 BK A/7 | 334722587 | A-BLACK | GCP | PLR | | M | R | 11 | 12 | - | - | - | - | 17 | 18 | 19 | 20 | | | N/A | N/A | N/A | N/A | | |
| MX150 ASSY RCP 2X10 BK A/11 | 334722588 | A-BLACK | GCP | PLR | | M | R | 1 | 2 | 3 | 4 | 5 | - | - | - | - | 10 | | | N/A | N/A | N/A | N/A | | |
| MX150 ASSY RCP 2X10 BK A/8 | 334722589 | A-BLACK | GCP | PLR | | M | R | 11 | 12 | - | - | - | - | 17 | 18 | 19 | 20 | | | N/A | N/A | N/A | N/A | | |
| MX150 ASSY RCP 2X10 BK A/8 | 334722590 | A-BLACK | GCP | PLR | | M | R | - | 2 | 3 | 4 | - | - | 7 | 8 | - | - | | | N/A | N/A | N/A | N/A | | |
| MX150 ASSY RCP 2X10 BK A/14 | 334722591 | A-BLACK | GCP | PLR | | M | R | - | - | - | - | 5 | - | - | 8 | - | - | | | N/A | N/A | N/A | N/A | | |
| MX150 ASSY RCP 2X10 BK A/15 | 334722592 | A-BLACK | GCP | PLR | | M | R | 11 | - | - | 14 | - | 16 | 17 | - | - | - | | | N/A | N/A | N/A | N/A | | |
| MX150 ASSY RCP 2X10 BK A/10 | 334722593 | A-BLACK | GCP | PLR | | M | R | - | - | - | 4 | - | 6 | - | - | - | - | | | N/A | N/A | N/A | N/A | | |
| MX150 ASSY RCP 2X10 BK A/17 | 334722594 | A-BLACK | GCP | PLR | | M | R | 11 | 12 | 13 | 14 | 15 | 16 | - | - | - | - | | | N/A | N/A | N/A | N/A | | |
| MX150 ASSY RCP 2X10 BK A/9 | 334722595 | A-BLACK | GCP | PLR | | M | R | - | - | 3 | - | - | - | - | - | 9 | - | | | N/A | N/A | N/A | N/A | | |
| MX150 ASSY RCP 2X10 BK A/12 | 334722596 | A-BLACK | GCP | PLR | | M | R | 1 | 2 | - | 4 | 5 | - | - | - | - | 10 | | | N/A | N/A | N/A | N/A | | |
| MX150 ASSY RCP 2X10 BK A/8 | 334722597 | A-BLACK | GCP | PLR | | M | R | 11 | 12 | - | - | - | - | 17 | 18 | 19 | 20 | | | N/A | N/A | N/A | N/A | | |
| MX150 ASSY RCP 2X10 BK A/9 | 334722598 | A-BLACK | GCP | PLR | | M | R | 1 | - | - | 4 | 5 | - | - | 8 | - | 10 | | | N/A | N/A | N/A | N/A | | |
| MX150 ASSY RCP 2X10 BK A/13 | 334722599 | A-BLACK | GCP | PLR | | M | R | 11 | 12 | - | - | - | - | 17 | 18 | - | - | | | N/A | N/A | N/A | N/A | | |
| MX150 ASSY RCP 2X10 BK A/6 | 334722600 | A-BLACK | GCP | PLR | | M | R | 1 | 2 | - | 4 | 5 | 6 | 7 | 8 | - | 10 | | | N/A | N/A | N/A | N/A | | |
| MX150 ASSY RCP 2X10 BK A/9 | 334722601 | A-BLACK | GCP | PLR | | M | R | 11 | 12 | - | - | - | - | 17 | 18 | 19 | 20 | | | N/A | N/A | N/A | N/A | | |
| MX150 ASSY RCP 2X10 BK A/7 | 334722602 | A-BLACK | GCP | PLR | | M | R | 1 | - | - | 4 | 5 | 6 | 7 | 8 | - | 10 | | | N/A | N/A | N/A | N/A | | |
| MX150 ASSY RCP 2X10 BK A/10 | 334722603 | A-BLACK | GCP | PLR | | M | R | 11 | 12 | - | - | - | - | 17 | 18 | 19 | 20 | | | N/A | N/A | N/A | N/A | | |
| MX150 ASSY RCP 2X10 CPA BK A/14 | 334722604 | A-BLACK | GCP | PLR | CPA | M | R | - | - | - | - | - | - | - | 8 | 9 | - | | | N/A | N/A | N/A | N/A | | |
| MX150 ASSY RCP 2X10 CPA BK A/18 | 334722605 | A-BLACK | GCP | PLR | CPA | M | R | - | - | - | - | - | - | - | - | - | 10 | | | N/A | N/A | N/A | N/A | | |
| MX150 ASSY RCP 2X10 LG B/18 | 334722606 | B-LIGHT GRAY | GCP | PLR | | M | R | - | - | - | - | 6 | - | - | - | - | - | | | N/A | N/A | N/A | N/A | | |

| ASSEMBLY DESCRIPTION | ASSEMBLY PART NUMBER | COMPONENT | | | | | | BLOCKED TERMINALS | | | | | | | | STATUS | COMMENT | OPTIONAL ATTACHMENTS SOLD SEPARATELY | | | | | | | |
|------------------------------------|----------------------|--|-------------|-----|-----|----------|-----------|--|----|----|----|----|----|----|----|--------|---------|--------------------------------------|------------------------|-----------------------|--------------------------|------------|------------|----|----|
| | | THE PRESENCE OF AN ABBREVIATION INDICATES THE PRESENCE OF THAT COMPONENT | | | | | | CAVITY WITH A NUMBER INDICATES BLOCKED TERMINAL POSITION CAVITY WITHOUT A NUMBER INDICATES OPEN TERMINAL POSITION | | | | | | | | | | BACKSHELL WITH RIBS | BACKSHELL WITHOUT RIBS | 90° ADAPTOR WITH RIBS | 90° ADAPTOR WITHOUT RIBS | | | | |
| | | HOUSING KEY/COLOR | GROMMET CAP | PLR | CPA | MAT SEAL | RING SEAL | 1 | 2 | 3 | 4 | 5 | 6 | 7 | 8 | | | | | | | 9 | 10 | 11 | 12 |
| MX150 ASSY RCP 2X10 BK A/18 | 334722607 | A-BLACK | GCP | PLR | | M | R | - | - | - | - | - | 6 | - | - | - | - | SALEABLE | | N/A | N/A | N/A | N/A | | |
| MX150 ASSY RCP 2X10 BK A/10 | 334722608 | A-BLACK | GCP | PLR | | M | R | 1 | - | - | 4 | 5 | - | - | - | - | 10 | SALEABLE | | N/A | N/A | N/A | N/A | | |
| MX150 ASSY RCP 2X10 BK A/12 | 334722609 | A-BLACK | GCP | PLR | | M | R | 11 | 12 | - | - | - | - | 17 | 18 | 19 | 20 | SALEABLE | | N/A | N/A | N/A | N/A | | |
| MX150 ASSY RCP 2X10 BK A/8 | 334722610 | A-BLACK | GCP | PLR | | M | R | - | - | - | 4 | 5 | 6 | - | - | - | 10 | SALEABLE | | N/A | N/A | N/A | N/A | | |
| MX150 ASSY RCP 2X10 CS BK A/11 | 334722611 | A-BLACK-CLIP | GCP | PLR | | M | R | 11 | 12 | 13 | - | - | - | - | 18 | 19 | 20 | SALEABLE | | 34951-2011 | 34951-2021 | 34951-1631 | 34951-1641 | | |
| MX150 ASSY RCP 2X10 BK A/10 | 334722612 | A-BLACK | GCP | PLR | | M | R | - | - | - | 4 | 5 | 6 | - | - | - | 10 | SALEABLE | | N/A | N/A | N/A | N/A | | |
| MX150 ASSY RCP 2X10 BK A/11 | 334722613 | A-BLACK | GCP | PLR | | M | R | 1 | 2 | - | - | - | - | - | 8 | - | 10 | SALEABLE | | N/A | N/A | N/A | N/A | | |
| MX150 ASSY RCP 2X10 BK A/8 | 334722614 | A-BLACK | GCP | PLR | | M | R | 11 | - | - | - | - | - | 17 | 18 | 19 | 20 | SALEABLE | | N/A | N/A | N/A | N/A | | |
| MX150 ASSY RCP 2X10 BK A/13 | 334722615 | A-BLACK | GCP | PLR | | M | R | - | - | 3 | - | - | - | - | - | - | - | SALEABLE | | N/A | N/A | N/A | N/A | | |
| MX150 ASSY RCP 2X10 LG B/8 | 334722616 | B-LIGHT GRAY | GCP | PLR | | M | R | 11 | 12 | 13 | 14 | 15 | 16 | 17 | 18 | 19 | 20 | SALEABLE | | N/A | N/A | N/A | N/A | | |
| MX150 ASSY RCP 2X10 CS CPA BK A/12 | 334722617 | A-BLACK-CLIP | GCP | PLR | CPA | M | R | - | 2 | - | - | - | - | 7 | 8 | 9 | - | SALEABLE | | 34951-2011 | 34951-2021 | 34951-1631 | 34951-1641 | | |
| MX150 ASSY RCP 2X10 CPA BK A/18 | 334722618 | A-BLACK | GCP | PLR | CPA | M | R | - | - | - | - | - | - | - | 18 | - | - | SALEABLE | | N/A | N/A | N/A | N/A | | |
| MX150 ASSY RCP 2X10 CPA BK A/12 | 334722619 | A-BLACK | GCP | PLR | CPA | M | R | 1 | 2 | - | - | 5 | 6 | 7 | 8 | - | - | SALEABLE | | N/A | N/A | N/A | N/A | | |
| MX150 ASSY RCP 2X10 CPA BK A/12 | 334722620 | A-BLACK | GCP | PLR | CPA | M | R | - | - | - | - | - | - | 17 | 18 | - | - | SALEABLE | | N/A | N/A | N/A | N/A | | |
| MX150 ASSY RCP 2X10 CPA BK A/6 | 334722621 | A-BLACK | GCP | PLR | CPA | M | R | - | 2 | - | - | 5 | 6 | 7 | 8 | - | - | SALEABLE | | N/A | N/A | N/A | N/A | | |
| MX150 ASSY RCP 2X10 BK A/14 | 334722622 | A-BLACK | GCP | PLR | | M | R | 11 | 12 | 13 | 14 | - | - | 17 | 18 | - | - | SALEABLE | | N/A | N/A | N/A | N/A | | |
| MX150 ASSY RCP 2X10 BK A/16 | 334722623 | A-BLACK | GCP | PLR | | M | R | - | - | - | - | - | - | - | - | 9 | 10 | SALEABLE | | N/A | N/A | N/A | N/A | | |
| MX150 ASSY RCP 2X10 BK A/15 | 334722624 | A-BLACK | GCP | PLR | | M | R | 11 | - | - | 14 | - | - | - | - | - | - | SALEABLE | | N/A | N/A | N/A | N/A | | |
| MX150 ASSY RCP 2X10 BK A/14 | 334722625 | A-BLACK | GCP | PLR | | M | R | - | - | - | - | - | - | - | 8 | 9 | 10 | SALEABLE | | N/A | N/A | N/A | N/A | | |
| MX150 ASSY RCP 2X10 CS BK A/8 | 334722626 | A-BLACK-CLIP | GCP | PLR | | M | R | - | - | - | 14 | - | - | 17 | 18 | - | - | SALEABLE | | 34951-2011 | 34951-2021 | 34951-1631 | 34951-1641 | | |
| MX150 ASSY RCP 2X10 CS BK A/10 | 334722627 | A-BLACK-CLIP | GCP | PLR | | M | R | 1 | 2 | 3 | 4 | 5 | 6 | - | 8 | - | - | SALEABLE | | 34951-2011 | 34951-2021 | 34951-1631 | 34951-1641 | | |
| MX150 ASSY RCP 2X10 CS BK A/14 | 334722628 | A-BLACK-CLIP | GCP | PLR | | M | R | - | - | - | 14 | 15 | - | - | - | 19 | 20 | SALEABLE | | 34951-2011 | 34951-2021 | 34951-1631 | 34951-1641 | | |
| MX150 ASSY RCP 2X10 CPA BK A/12 | 334722629 | A-BLACK | GCP | PLR | CPA | M | R | - | 2 | - | - | - | - | - | 8 | 9 | - | SALEABLE | | N/A | N/A | N/A | N/A | | |
| MX150 ASSY RCP 2X10 CPA BK A/14 | 334722630 | A-BLACK | GCP | PLR | CPA | M | R | - | - | 13 | 14 | - | - | - | 18 | 19 | 20 | SALEABLE | | N/A | N/A | N/A | N/A | | |
| MX150 ASSY RCP 2X10 CPA BK A/16 | 334722631 | A-BLACK | GCP | PLR | CPA | M | R | - | 2 | - | - | - | - | - | - | - | - | SALEABLE | | N/A | N/A | N/A | N/A | | |
| MX150 ASSY RCP 2X10 CS CPA BK A/10 | 334722632 | A-BLACK-CLIP | GCP | PLR | CPA | M | R | - | - | 3 | - | - | 6 | - | 8 | 9 | - | SALEABLE | | 34951-2011 | 34951-2021 | 34951-1631 | 34951-1641 | | |
| MX150 ASSY RCP 2X10 BK A/6 | 334722633 | A-BLACK | GCP | PLR | | M | R | 11 | 12 | - | - | - | 16 | 17 | 18 | 19 | 20 | SALEABLE | | N/A | N/A | N/A | N/A | | |

| ASSEMBLY DESCRIPTION | ASSEMBLY PART NUMBER | COMPONENT | | | | | | BLOCKED TERMINALS | | | | | | | | STATUS | COMMENT | OPTIONAL ATTACHMENTS SOLD SEPARATELY | | | | | |
|------------------------------------|----------------------|--|-------------|-----|-----|----------|-----------|--|---|---|---|---|---|---|---|--------|---------|--------------------------------------|------------------------|-----------------------|--------------------------|------------|------------|
| | | THE PRESENCE OF AN ABBREVIATION INDICATES THE PRESENCE OF THAT COMPONENT | | | | | | CAVITY WITH A NUMBER INDICATES BLOCKED TERMINAL POSITION CAVITY WITHOUT A NUMBER INDICATES OPEN TERMINAL POSITION | | | | | | | | | | BACKSHELL WITH RIBS | BACKSHELL WITHOUT RIBS | 90° ADAPTOR WITH RIBS | 90° ADAPTOR WITHOUT RIBS | | |
| | | HOUSING KEY/COLOR | GROMMET CAP | PLR | CPA | MAT SEAL | RING SEAL | 1 | 2 | 3 | 4 | 5 | 6 | 7 | 8 | | | | | | | 9 | 10 |
| MX150 ASSY RCP 2X10 CS BK A/10 | 334722634 | A-BLACK-CLIP | GCP | PLR | | M | R | 1 | - | - | - | - | - | 7 | 8 | - | 10 | SALEABLE | | 34951-2011 | 34951-2021 | 34951-1631 | 34951-1641 |
| MX150 ASSY RCP 2X10 CS CPA BK A/19 | 334722635 | A-BLACK-CLIP | GCP | PLR | CPA | M | R | 1 | - | - | - | - | - | - | - | - | - | SALEABLE | | 34951-2011 | 34951-2021 | 34951-1631 | 34951-1641 |
| MX150 ASSY RCP 2X10 CS LG B/19 | 334722636 | B-LIGHT GRAY-CLIP | GCP | PLR | | M | R | 1 | - | - | - | - | - | - | - | - | - | SALEABLE | | 34951-2011 | 34951-2021 | 34951-1631 | 34951-1641 |
| MX150 ASSY RCP 2X10 CS CPA LG B/19 | 334722637 | B-LIGHT GRAY-CLIP | GCP | PLR | CPA | M | R | 1 | - | - | - | - | - | - | - | - | - | SALEABLE | | 34951-2011 | 34951-2021 | 34951-1631 | 34951-1641 |
| MX150 ASSY RCP 2X10 CPA DG C/19 | 334722638 | C-DARK GRAY | GCP | PLR | CPA | M | R | 1 | - | - | - | - | - | - | - | - | - | SALEABLE | | N/A | N/A | N/A | N/A |
| MX150 ASSY RCP 2X10 CS DG C/19 | 334722639 | C-DARK GRAY-CLIP | GCP | PLR | | M | R | 1 | - | - | - | - | - | - | - | - | - | SALEABLE | | 34951-2011 | 34951-2021 | 34951-1631 | 34951-1641 |
| MX150 ASSY RCP 2X10 DG C/19 | 334722640 | C-DARK GRAY | GCP | PLR | | M | R | 1 | - | - | - | - | - | - | - | - | - | SALEABLE | | N/A | N/A | N/A | N/A |
| MX150 ASSY RCP 2X10 CS CPA DG C/19 | 334722641 | C-DARK GRAY-CLIP | GCP | PLR | CPA | M | R | 1 | - | - | - | - | - | - | - | - | - | SALEABLE | | 34951-2011 | 34951-2021 | 34951-1631 | 34951-1641 |
| MX150 ASSY RCP 2X10 CS SG D/19 | 334722642 | D-STONE GRAY-CLIP | GCP | PLR | | M | R | 1 | - | - | - | - | - | - | - | - | - | SALEABLE | | 34951-2011 | 34951-2021 | 34951-1631 | 34951-1641 |
| MX150 ASSY RCP 2X10 SG D/19 | 334722643 | D-STONE GRAY | GCP | PLR | | M | R | 1 | - | - | - | - | - | - | - | - | - | SALEABLE | | N/A | N/A | N/A | N/A |
| MX150 ASSY RCP 2X10 CS CPA SG D/19 | 334722644 | D-STONE GRAY-CLIP | GCP | PLR | CPA | M | R | 1 | - | - | - | - | - | - | - | - | - | SALEABLE | | 34951-2011 | 34951-2021 | 34951-1631 | 34951-1641 |
| MX150 ASSY RCP 2X10 CPA SG D/19 | 334722645 | D-STONE GRAY | GCP | PLR | CPA | M | R | 1 | - | - | - | - | - | - | - | - | - | SALEABLE | | N/A | N/A | N/A | N/A |
| MX150 ASSY RCP 2X10 CPA BK A/13 | 334722646 | A-BLACK | GCP | PLR | CPA | M | R | - | 2 | - | - | - | - | - | - | - | - | SALEABLE | | N/A | N/A | N/A | N/A |
| MX150 ASSY RCP 2X10 BK A/12 | 334722647 | A-BLACK | GCP | PLR | | M | R | - | - | - | - | - | - | - | - | 9 | - | SALEABLE | | N/A | N/A | N/A | N/A |
| MX150 ASSY RCP 2X10 CS CPA BK A/17 | 334722648 | A-BLACK-CLIP | GCP | PLR | CPA | M | R | 1 | 2 | - | 4 | - | - | - | - | - | - | SALEABLE | | 34951-2011 | 34951-2021 | 34951-1631 | 34951-1641 |
| MX150 ASSY RCP 2X10 CS CPA BK A/16 | 334722649 | A-BLACK-CLIP | GCP | PLR | CPA | M | R | - | - | - | - | - | - | - | - | - | - | SALEABLE | | 34951-2011 | 34951-2021 | 34951-1631 | 34951-1641 |
| MX150 ASSY RCP 2X10 CS CPA BK A/11 | 334722650 | A-BLACK-CLIP | GCP | PLR | CPA | M | R | 1 | 2 | - | - | 5 | - | - | - | 9 | - | SALEABLE | | 34951-2011 | 34951-2021 | 34951-1631 | 34951-1641 |
| MX150 ASSY RCP 2X10 CS CPA LG B/11 | 334722651 | B-LIGHT GRAY-CLIP | GCP | PLR | CPA | M | R | 1 | 2 | - | - | 5 | - | - | - | 9 | - | SALEABLE | | 34951-2011 | 34951-2021 | 34951-1631 | 34951-1641 |
| MX150 ASSY RCP 2X10 BK A/16 | 334722652 | A-BLACK | GCP | PLR | | M | R | 1 | 2 | - | - | - | - | - | - | - | - | SALEABLE | | N/A | N/A | N/A | N/A |
| MX150 ASSY RCP 2X10 CS BK A/13 | 334722653 | A-BLACK-CLIP | GCP | PLR | | M | R | - | - | 3 | - | - | - | - | - | - | - | SALEABLE | | 34951-2011 | 34951-2021 | 34951-1631 | 34951-1641 |
| MX150 ASSY RCP 2X10 CS CPA BK A/3 | 334722654 | A-BLACK-CLIP | GCP | PLR | CPA | M | R | 1 | - | 3 | 4 | 5 | 6 | 7 | 8 | - | - | SALEABLE | | 34951-2011 | 34951-2021 | 34951-1631 | 34951-1641 |
| MX150 ASSY RCP 2X10 CS CPA BK A/17 | 334722655 | A-BLACK-CLIP | GCP | PLR | CPA | M | R | 1 | - | - | 4 | - | - | - | - | - | - | SALEABLE | | 34951-2011 | 34951-2021 | 34951-1631 | 34951-1641 |
| MX150 ASSY RCP 2X10 CS CPA BK A/8 | 334722656 | A-BLACK-CLIP | GCP | PLR | CPA | M | R | 1 | - | 3 | - | - | - | - | - | 9 | 10 | SALEABLE | | 34951-2011 | 34951-2021 | 34951-1631 | 34951-1641 |
| MX150 ASSY RCP 2X10 CPA BK A/14 | 334722657 | A-BLACK | GCP | PLR | CPA | M | R | - | 2 | - | - | 5 | 6 | 7 | 8 | - | - | SALEABLE | | N/A | N/A | N/A | N/A |
| MX150 ASSY RCP 2X10 BK A/13 | 334722658 | A-BLACK | GCP | PLR | | M | R | - | - | - | - | - | - | - | - | 9 | - | SALEABLE | | N/A | N/A | N/A | N/A |
| MX150 ASSY RCP 2X10 CPA BK A/13 | 334722659 | A-BLACK | GCP | PLR | CPA | M | R | - | - | - | - | - | - | - | - | 9 | - | SALEABLE | | N/A | N/A | N/A | N/A |
| MX150 ASSY RCP 2X10 CPA BK A/9 | 334722660 | A-BLACK | GCP | PLR | CPA | M | R | 1 | 2 | - | - | - | - | - | - | - | - | SALEABLE | | N/A | N/A | N/A | N/A |

| ASSEMBLY DESCRIPTION | ASSEMBLY PART NUMBER | COMPONENT | | | | | | BLOCKED TERMINALS | | | | | | | | STATUS | COMMENT | OPTIONAL ATTACHMENTS SOLD SEPARATELY | | | | | |
|---------------------------------|----------------------|--|-------------|-----|-----|----------|-----------|--|----|----|----|----|----|----|----|--------|---------|--------------------------------------|------------------------|-----------------------|--------------------------|------------|------------|
| | | THE PRESENCE OF AN ABBREVIATION INDICATES THE PRESENCE OF THAT COMPONENT | | | | | | CAVITY WITH A NUMBER INDICATES BLOCKED TERMINAL POSITION CAVITY WITHOUT A NUMBER INDICATES OPEN TERMINAL POSITION | | | | | | | | | | BACKSHELL WITH RIBS | BACKSHELL WITHOUT RIBS | 90° ADAPTOR WITH RIBS | 90° ADAPTOR WITHOUT RIBS | | |
| | | HOUSING KEY/COLOR | GROMMET CAP | PLR | CPA | MAT SEAL | RING SEAL | 1 | 2 | 3 | 4 | - | - | 7 | 8 | | | | | | | 9 | - |
| MX150 ASSY RCP 2X10 LG B/9 | 334722661 | B-LIGHT GRAY | GCP | PLR | | M | R | 1 | 2 | 3 | 4 | - | - | 7 | 8 | 9 | - | SALEABLE | | N/A | N/A | N/A | N/A |
| MX150 ASSY RCP 2X10 LG B/15 | 334722662 | B-LIGHT GRAY | GCP | PLR | | M | R | - | 12 | 13 | - | - | - | 7 | - | - | - | SALEABLE | | N/A | N/A | N/A | N/A |
| MX150 ASSY RCP 2X10 LG B/17 | 334722663 | B-LIGHT GRAY | GCP | PLR | | M | R | - | - | - | 4 | - | - | 7 | - | - | - | SALEABLE | | N/A | N/A | N/A | N/A |
| MX150 ASSY RCP 2X10 CPA BK A/12 | 334722664 | A-BLACK | GCP | PLR | CPA | M | R | 1 | 2 | - | - | 5 | 6 | 7 | 8 | - | - | SALEABLE | | N/A | N/A | N/A | N/A |
| MX150 ASSY RCP 2X10 CPA BK A/14 | 334722665 | A-BLACK | GCP | PLR | CPA | M | R | - | - | - | - | 5 | 6 | 7 | 8 | - | - | SALEABLE | | N/A | N/A | N/A | N/A |
| MX150 ASSY RCP 2X10 BK A/14 | 334722666 | A-BLACK | GCP | PLR | | M | R | - | - | - | - | - | - | 7 | - | 9 | - | SALEABLE | | N/A | N/A | N/A | N/A |
| MX150 ASSY RCP 2X10 CS BK A/16 | 334722667 | A-BLACK-CLIP | GCP | PLR | | M | R | 1 | 2 | - | - | - | - | - | - | - | - | SALEABLE | | 34951-2011 | 34951-2021 | 34951-1631 | 34951-1641 |
| MX150 ASSY RCP 2X10 BK A/15 | 334722668 | A-BLACK | GCP | PLR | | M | R | - | 2 | - | 4 | 5 | - | - | - | 9 | - | SALEABLE | | N/A | N/A | N/A | N/A |
| MX150 ASSY RCP 2X10 CPA BK A/11 | 334722669 | A-BLACK | GCP | PLR | CPA | M | R | - | - | - | - | - | - | - | 8 | - | - | SALEABLE | | N/A | N/A | N/A | N/A |
| MX150 ASSY RCP 2X10 LG B/6 | 334722670 | B-LIGHT GRAY | GCP | PLR | | M | R | 1 | 2 | 3 | 4 | 5 | 6 | 7 | 8 | 9 | - | SALEABLE | | N/A | N/A | N/A | N/A |
| MX150 ASSY RCP 2X10 LG B/12 | 334722671 | B-LIGHT GRAY | GCP | PLR | | M | R | - | - | 3 | 4 | 5 | 6 | 7 | - | - | - | SALEABLE | | N/A | N/A | N/A | N/A |
| MX150 ASSY RCP 2X10 LG B/14 | 334722672 | B-LIGHT GRAY | GCP | PLR | | M | R | - | - | - | 4 | 5 | 6 | 7 | - | - | - | SALEABLE | | N/A | N/A | N/A | N/A |
| MX150 ASSY RCP 2X10 CPA BK A/17 | 334722673 | A-BLACK | GCP | PLR | CPA | M | R | - | - | - | - | - | - | - | 8 | - | - | SALEABLE | | N/A | N/A | N/A | N/A |
| MX150 ASSY RCP 2X10 CPA LG B/0 | 334722674 | B-LIGHT GRAY | GCP | PLR | CPA | M | R | 1 | 2 | 3 | 4 | 5 | 6 | 7 | 8 | 9 | 10 | SALEABLE | | N/A | N/A | N/A | N/A |
| MX150 ASSY RCP 2X10 CPA LG B/13 | 334722675 | B-LIGHT GRAY | GCP | PLR | CPA | M | R | - | 2 | 3 | 4 | - | - | 7 | - | - | - | SALEABLE | | N/A | N/A | N/A | N/A |
| MX150 ASSY RCP 2X10 CPA BK A/16 | 334722676 | A-BLACK | GCP | PLR | CPA | M | R | - | - | - | - | - | 6 | - | 8 | 9 | - | SALEABLE | | N/A | N/A | N/A | N/A |
| MX150 ASSY RCP 2X10 CPA BK A/11 | 334722677 | A-BLACK | GCP | PLR | CPA | M | R | 1 | 2 | - | - | - | - | - | - | - | - | SALEABLE | | N/A | N/A | N/A | N/A |
| MX150 ASSY RCP 2X10 CPA BK A/11 | 334722678 | A-BLACK | GCP | PLR | CPA | M | R | - | - | - | 14 | 15 | 16 | 17 | 18 | 19 | 20 | SALEABLE | | N/A | N/A | N/A | N/A |
| MX150 ASSY RCP 2X10 BK A/8 | 334722679 | A-BLACK | GCP | PLR | | M | R | 1 | 2 | 3 | 4 | 5 | 6 | - | 8 | - | - | SALEABLE | | N/A | N/A | N/A | N/A |
| MX150 ASSY RCP 2X10 BK A/10 | 334722680 | A-BLACK | GCP | PLR | | M | R | - | - | 13 | - | - | - | - | - | 19 | 20 | SALEABLE | | N/A | N/A | N/A | N/A |
| MX150 ASSY RCP 2X10 BK A/13 | 334722681 | A-BLACK | GCP | PLR | | M | R | - | - | - | - | - | - | - | 8 | - | - | SALEABLE | | N/A | N/A | N/A | N/A |
| MX150 ASSY RCP 2X10 CPA BK A/13 | 334722682 | A-BLACK | GCP | PLR | CPA | M | R | - | - | - | - | 15 | 16 | 17 | 18 | 19 | 20 | SALEABLE | | N/A | N/A | N/A | N/A |
| MX150 ASSY RCP 2X10 CPA BK A/9 | 334722683 | A-BLACK | GCP | PLR | CPA | M | R | - | - | - | - | 5 | 6 | - | - | - | 10 | SALEABLE | | N/A | N/A | N/A | N/A |
| MX150 ASSY RCP 2X10 BK A/8 | 334722684 | A-BLACK | GCP | PLR | | M | R | - | 12 | 13 | - | 15 | 16 | 17 | 18 | 19 | 20 | SALEABLE | | N/A | N/A | N/A | N/A |
| MX150 ASSY RCP 2X10 BK A/8 | 334722685 | A-BLACK | GCP | PLR | | M | R | 1 | 2 | - | - | - | - | - | - | 9 | 10 | SALEABLE | | N/A | N/A | N/A | N/A |
| MX150 ASSY RCP 2X10 BK A/19 | 334722686 | A-BLACK | GCP | PLR | | M | R | - | - | 3 | - | - | - | - | - | - | - | SALEABLE | | N/A | N/A | N/A | N/A |
| MX150 ASSY RCP 2X10 BK A/18 | 334722687 | A-BLACK | GCP | PLR | | M | R | - | - | - | - | - | - | - | - | 9 | 10 | SALEABLE | | N/A | N/A | N/A | N/A |

| ASSEMBLY DESCRIPTION | ASSEMBLY PART NUMBER | COMPONENT | | | | | | BLOCKED TERMINALS | | | | | | | | STATUS | COMMENT | OPTIONAL ATTACHMENTS SOLD SEPARATELY | | | | | |
|------------------------------------|----------------------|--|-------------|-----|-----|----------|-----------|--|----|----|----|----|----|----|----|--------|---------|--------------------------------------|------------------------|-----------------------|--------------------------|------------|------------|
| | | THE PRESENCE OF AN ABBREVIATION INDICATES THE PRESENCE OF THAT COMPONENT | | | | | | CAVITY WITH A NUMBER INDICATES BLOCKED TERMINAL POSITION CAVITY WITHOUT A NUMBER INDICATES OPEN TERMINAL POSITION | | | | | | | | | | BACKSHELL WITH RIBS | BACKSHELL WITHOUT RIBS | 90° ADAPTOR WITH RIBS | 90° ADAPTOR WITHOUT RIBS | | |
| | | HOUSING KEY/COLOR | GROMMET CAP | PLR | CPA | MAT SEAL | RING SEAL | 1 | 2 | - | - | - | - | 7 | 8 | | | | | | | 9 | 10 |
| MX150 ASSY RCP 2X10 CPA BK A/10 | 334722688 | A-BLACK | GCP | PLR | CPA | M | R | 1 | 2 | - | - | - | - | 7 | 8 | 9 | 10 | SALEABLE | | N/A | N/A | N/A | N/A |
| | | | | | | | | 11 | 12 | - | - | - | - | 17 | 18 | - | - | | | | | | |
| MX150 ASSY RCP 2X10 BK A/13 | 334722689 | A-BLACK | GCP | PLR | | M | R | - | - | - | - | - | 6 | - | 8 | 9 | - | SALEABLE | | N/A | N/A | N/A | N/A |
| | | | | | | | | 11 | - | - | 14 | 15 | 16 | - | - | - | - | | | | | | |
| MX150 ASSY RCP 2X10 BK A/18 | 334722690 | A-BLACK | GCP | PLR | | M | R | 1 | - | - | - | - | - | - | - | - | - | SALEABLE | | N/A | N/A | N/A | N/A |
| | | | | | | | | - | - | - | - | - | - | - | - | - | 20 | | | | | | |
| MX150 ASSY RCP 2X10 CS CPA BK A/15 | 334722691 | A-BLACK-CLIP | GCP | PLR | CPA | M | R | - | 2 | - | - | - | - | - | - | - | - | SALEABLE | | 34951-2011 | 34951-2021 | 34951-1631 | 34951-1641 |
| | | | | | | | | - | 12 | - | - | 15 | - | - | 18 | 19 | - | | | | | | |
| MX150 ASSY RCP 2X10 CPA BK A/2 | 334722692 | A-BLACK | GCP | PLR | CPA | M | R | - | 2 | 3 | 4 | 5 | 6 | 7 | 8 | 9 | 10 | SALEABLE | | N/A | N/A | N/A | N/A |
| | | | | | | | | 11 | 12 | 13 | 14 | 15 | - | 17 | 18 | 19 | 20 | | | | | | |
| MX150 ASSY RCP 2X10 CPA BK A/6 | 334722693 | A-BLACK | GCP | PLR | CPA | M | R | - | 2 | 3 | 4 | 5 | 6 | 7 | 8 | 9 | 10 | SALEABLE | | N/A | N/A | N/A | N/A |
| | | | | | | | | - | - | - | - | 15 | - | 17 | 18 | 19 | 20 | | | | | | |