

(E)

NOTES:

1. MATERIAL:
  - (A). SCREW: SEE LEGEND
  - (B). INSULATOR: PBT, UL94V-0
  - (C). TERMINAL: BRASS, TIN PLATED
2. NUMBER OF CIRCUIT POSITIONS AVAILABLE: 2 THROUGH 15
3. ELECTRICAL RATINGS:
  - (A). MAXIMUM VOLTAGE: 600V
  - (B). MAXIMUM CURRENT: 50A
  - (C). INSULATION RESISTANCE: 500MΩ PER MINUTE
  - (D). DIELECTRIC WITHSTAND VOLTAGE: 2200V AC
4. WIRE RANGE: 8 TO 20 AWG (SOLID OR STRANDED COPPER)
5. RECOMMENDED WIRE STRIP LENGTH: 0.32 IN. (8mm)
6. SCREW TORQUE: 16 LBF. IN. (1.8Nm)
7. OPERATING TEMPERATURE: -40°C TO +120°C

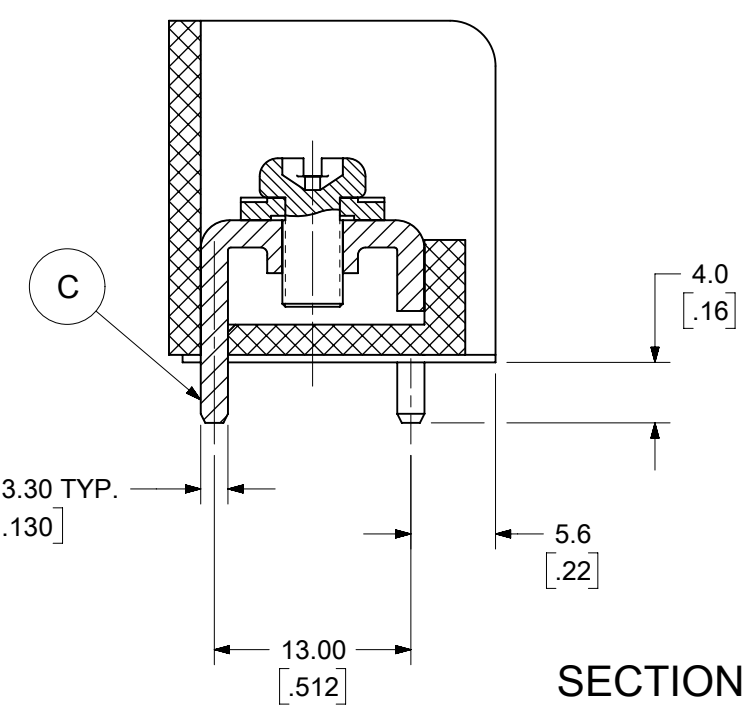
**MATERIAL NUMBER LEGEND**

389 XX X X XX

INSULATOR STYLE ——— NO. OF CIRCUITS  
 69- NO MOUNTING ENDS (02 - 15)

TERMINAL STYLE ——— SCREW STYLE  
 0 - PC TAILS 0 - M4 WITH SQUARE WASHER, STEEL, NICKEL PLATED

TERM. STYLE 0 - PC TAILS



SECTION A-A

THIS DRAWING CONTAINS INFORMATION THAT IS PROPRIETARY TO MOLEX ELECTRONIC TECHNOLOGIES, LLC AND SHOULD NOT BE USED WITHOUT WRITTEN PERMISSION									
SYMBOLS		DIMENSION UNITS		SCALE		CURRENT REV DESC: UPDATED NOTES			
▽ = 0		MM/INCH		2:1		SECTION			
▽ = 0		GENERAL TOLERANCES (UNLESS SPECIFIED)							
▽ = 0		4 PLACES ± .005		3 PLACES ± .005		2 PLACES ± 0.13		1 PLACE ± 0.3	
▽ = 0		3 PLACES ± .005		2 PLACES ± 0.13		1 PLACE ± 0.3		0 PLACES ± .005	
▽ = 0		2 PLACES ± 0.13		1 PLACE ± 0.3		ANGULAR TOL ± 2°		DRAFT WHERE APPLICABLE MUST REMAIN WITHIN DIMENSIONS	
▽ = 0		1 PLACE ± 0.3		ANGULAR TOL ± 2°		THIRD ANGLE PROJECTION		DRAWING	
▽ = 0		ANGULAR TOL ± 2°		THIRD ANGLE PROJECTION		DRAWING		SERIES	
▽ = 0		THIRD ANGLE PROJECTION		DRAWING		SERIES		MATERIAL NUMBER	
▽ = 0		DRAWING		SERIES		MATERIAL NUMBER		CUSTOMER	
▽ = 0		SERIES		MATERIAL NUMBER		CUSTOMER		SHEET NUMBER	
▽ = 0		MATERIAL NUMBER		CUSTOMER		SHEET NUMBER		SEE LEGEND	
▽ = 0		CUSTOMER		SHEET NUMBER		SEE LEGEND		GENERAL MARKET	
▽ = 0		SEE LEGEND		GENERAL MARKET		1 OF 2			

**molex**

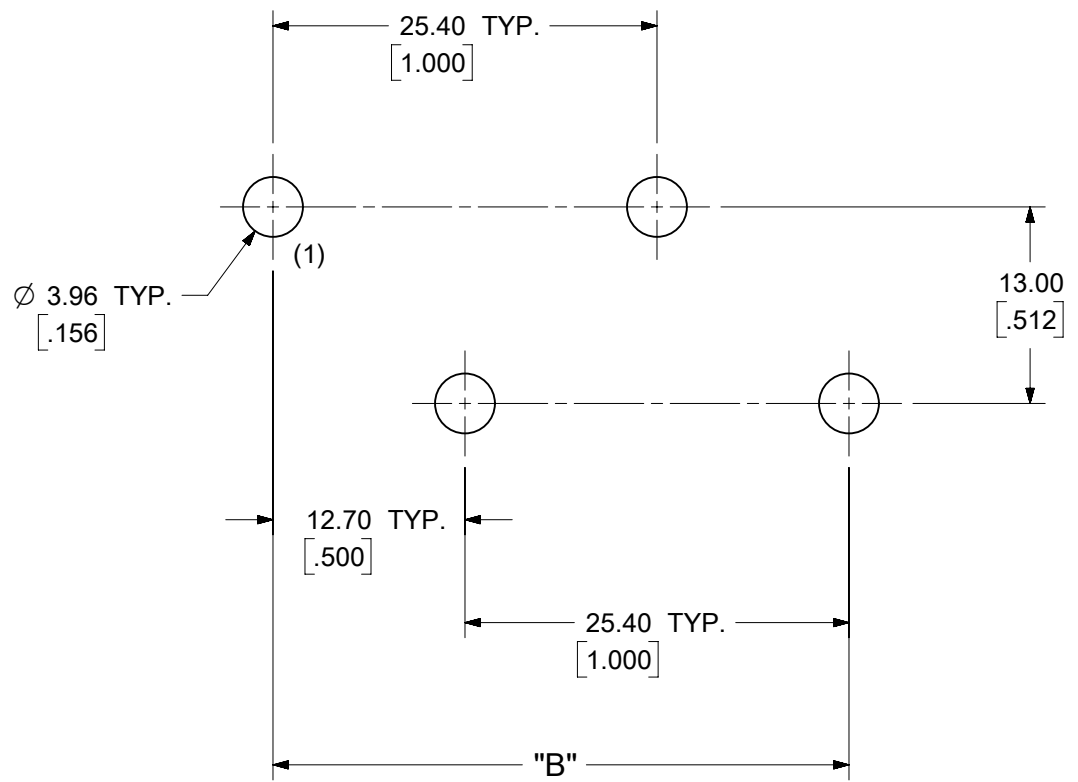
12.70MM [.500] SINGLE ROW TRI-BARRIER TERMINAL STRIP

PRODUCT CUSTOMER DRAWING

DOCUMENT NUMBER SD-38969-001 DOC TYPE PSD DOC PART 001 REVISION E

MATERIAL NUMBER SEE LEGEND CUSTOMER GENERAL MARKET SHEET NUMBER 1 OF 2

QUANTITY OF CIRCUITS	DIM. "A"		DIM. "B"	
	mm	IN	mm	IN
02	27.9	1.10	12.70	.500
03	40.6	1.60	25.40	1.000
04	53.3	2.10	38.10	1.500
05	66.0	2.60	50.80	2.000
06	78.7	3.10	63.50	2.500
07	91.4	3.60	76.20	3.000
08	104.1	4.10	88.90	3.500
09	116.8	4.60	101.60	4.000
10	129.5	5.10	114.30	4.500
11	142.2	5.60	127.00	5.000
12	154.9	6.10	139.70	5.500
13	167.6	6.60	152.40	6.000
14	180.3	7.10	165.10	6.500
15	193.0	7.60	177.80	7.000



RECOMMENDED PCB LAYOUT

<b>SYMBOLS</b> DIMENSION UNITS: MM/INCH SCALE: 2:1 GENERAL TOLERANCES (UNLESS SPECIFIED): 4 PLACES ± --- ± --- 3 PLACES ± --- ± .005 2 PLACES ± 0.13 ± .01 1 PLACE ± 0.3 ± --- 0 PLACES ± --- ± --- ANGULAR TOL ± 2° DRAFT WHERE APPLICABLE MUST REMAIN WITHIN DIMENSIONS THIRD ANGLE PROJECTION DRAWING: B-SIZE SERIES: 38969	THIS DRAWING CONTAINS INFORMATION THAT IS PROPRIETARY TO MOLEX ELECTRONIC TECHNOLOGIES, LLC AND SHOULD NOT BE USED WITHOUT WRITTEN PERMISSION CURRENT REV DESC: UPDATED NOTES SECTION EC NO: 632901 DRWN: ABENJAMINLW 2020/01/14 CHK'D: DACHAMMER 2020/02/25 APPR: JFMURPHY 2020/03/09 INITIAL REVISION: DRWN: CLYORK 2006/11/22 APPR: JMACNEIL 2006/12/01		<b>molex</b> 12.70MM [.500] SINGLE ROW TRI-BARRIER TERMINAL STRIP PRODUCT CUSTOMER DRAWING		
	DOCUMENT NUMBER: SD-38969-001 DOC TYPE: PSD DOC PART: 001 REVISION: E				
	MATERIAL NUMBER: SEE LEGEND CUSTOMER: GENERAL MARKET SHEET NUMBER: 2 OF 2				
	DOCUMENT STATUS: P1 RELEASE DATE: 2020/03/09 17:51:51				