

NOTES:

1.MATERIAL:

HOUSING: LCP,COLOR:BLACK;
 CAP:LCP,COLOR:BLACK;
 SHELL:BRASS,ALLOY.
 TERMINAL: BRASS,ALLOY.

2.PLATING:

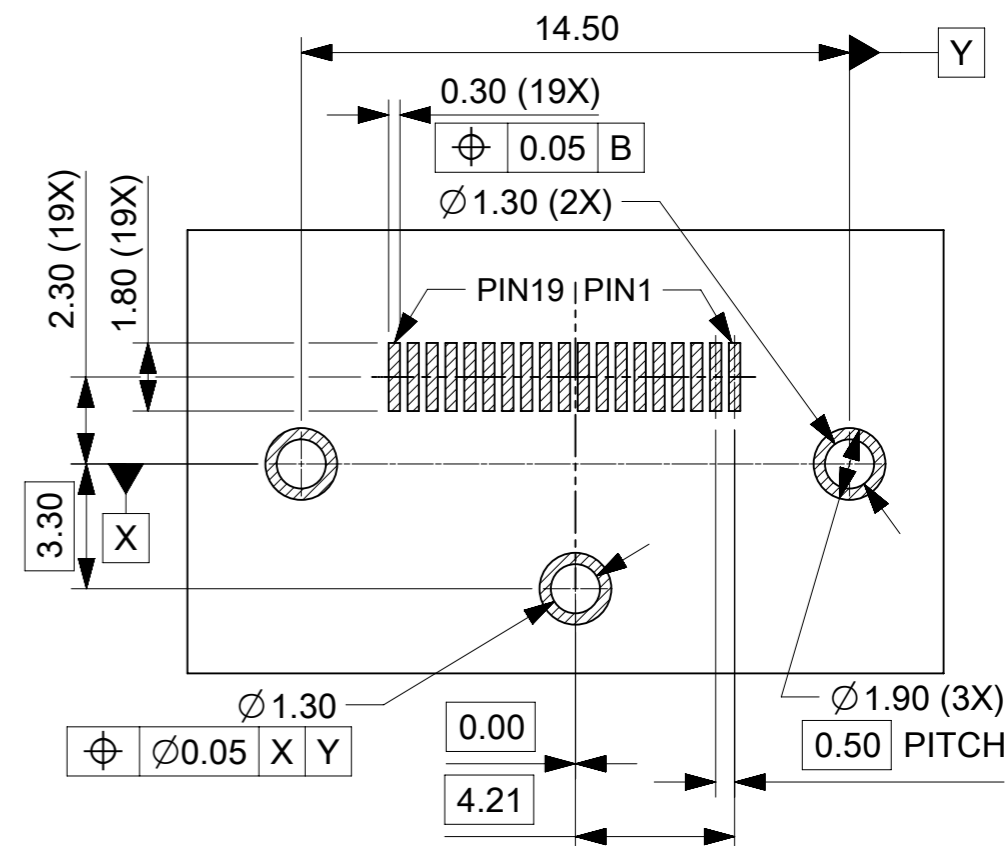
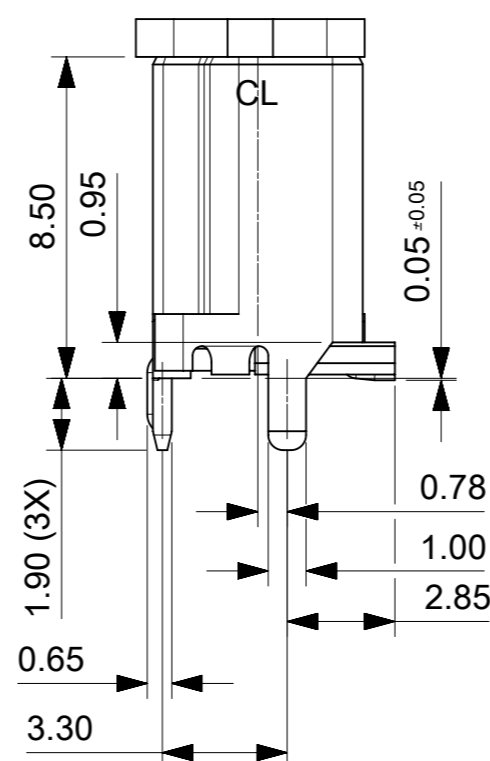
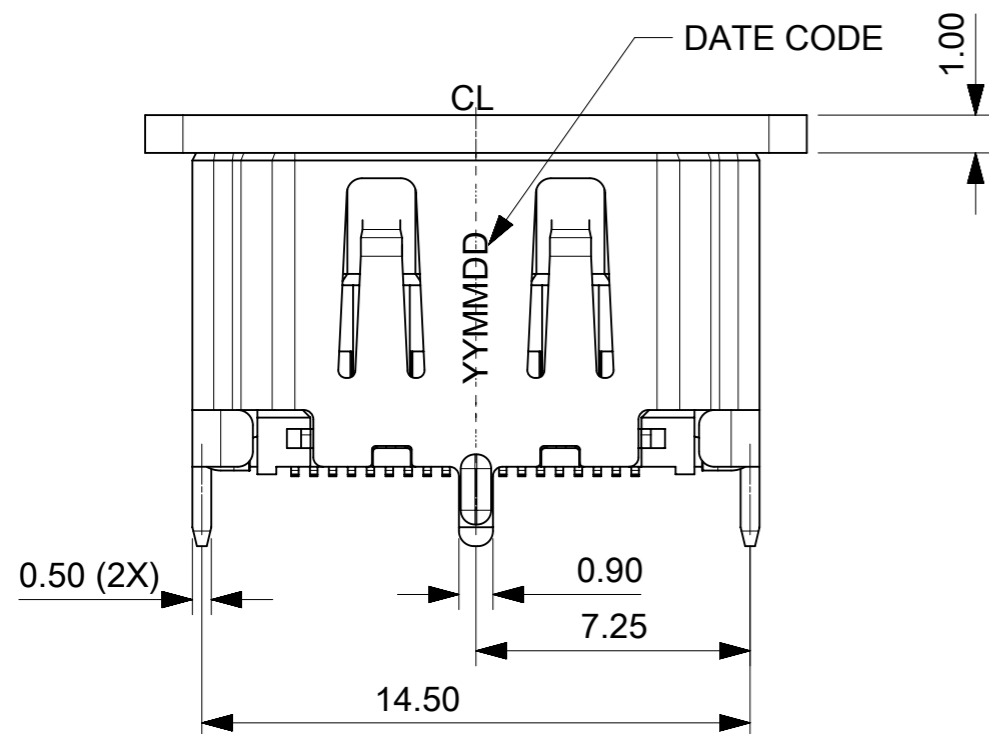
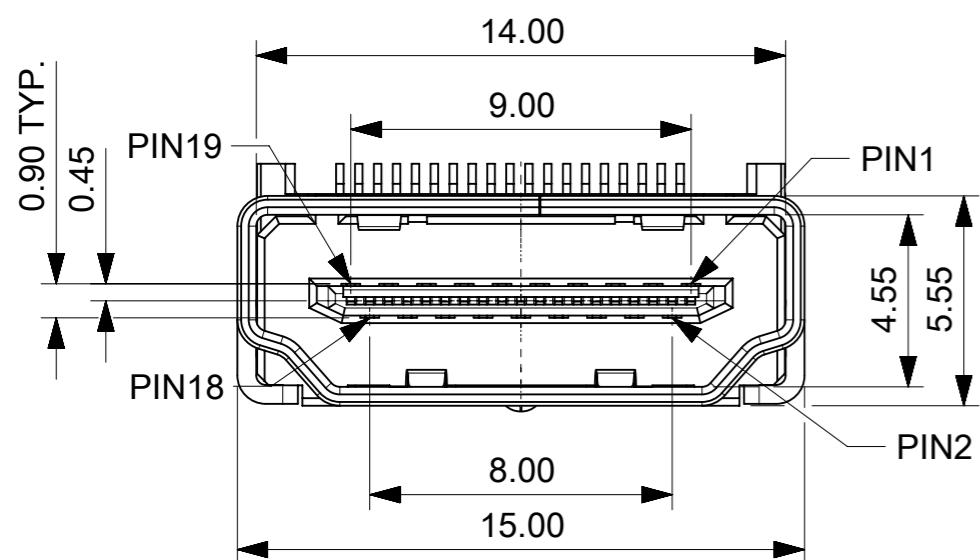
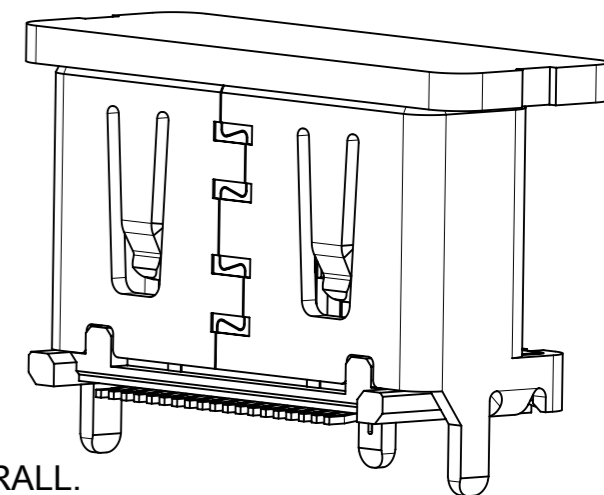
TERMINAL:
 CONTACT AREA:SEE TABLE;
 SOLDER AREA: GOLD FLASH;
 UNDER PLATE:1.27 MICROMETER MIN. NICKEL PLATING OVERALL.
 SHELL: 1.27MICROMETER MIN. SOLDERABLE NICKEL PLATING OVERALL.

3.COMPLANARITY OF SOLDER TAIL:0.10mm MAX.

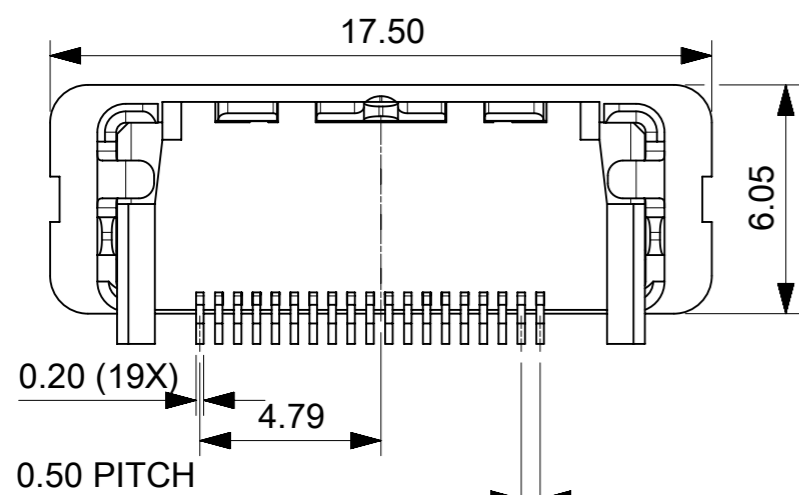
4.DATE CODE:YY=YEAR, MM=MONTH,DD=DATE;

5.PRODUCT SPEC. REFER TO 2086580001(PS);

6.PACKAGE SPEC. REFER TO 476595000;



RECOMMENDED PCB LAYOUT
 CONNCTOR SIDE
 THICKNESS=1.60mm
 GENERAL TOLRANCE +/-0.05



47659-1012	GLOD FLASH
47659-1011	0.38 MICROMETER MIN. GOLD PLATING
47659-1010	0.76 MICROMETER MIN. GOLD PLATING
P/N	CONTACT AREA PLATING

SYMBOLS	THIS DRAWING CONTAINS INFORMATION THAT IS PROPRIETARY TO MOLEX ELECTRONIC TECHNOLOGIES, LLC AND SHOULD NOT BE USED WITHOUT WRITTEN PERMISSION	CURRENT REV DESC: NEW RELEASE		molex																																											
	<table border="1"> <tr> <th>DIMENSION UNITS</th> <th>SCALE</th> </tr> <tr> <td>mm</td> <td>5:1</td> </tr> </table> <p>GENERAL TOLERANCES (UNLESS SPECIFIED)</p> <table border="1"> <tr> <td>ANGULAR TOL</td> <td>± 3.0°</td> </tr> <tr> <td>4 PLACES</td> <td>±</td> </tr> <tr> <td>3 PLACES</td> <td>± 0.25</td> </tr> <tr> <td>2 PLACES</td> <td>± 0.25</td> </tr> <tr> <td>1 PLACE</td> <td>±</td> </tr> <tr> <td>0 PLACES</td> <td>±</td> </tr> </table> <p>DRAFT WHERE APPLICABLE MUST REMAIN WITHIN DIMENSIONS</p>	DIMENSION UNITS	SCALE				mm	5:1	ANGULAR TOL	± 3.0°	4 PLACES	±	3 PLACES	± 0.25	2 PLACES	± 0.25	1 PLACE	±	0 PLACES	±	<table border="1"> <tr> <td>EC NO:</td> <td>612733</td> <td>2018/07/26</td> </tr> <tr> <td>DRWN:</td> <td>JFAN18</td> <td>2019/03/05</td> </tr> <tr> <td>CHK'D:</td> <td>XQZHANG</td> <td>2019/03/05</td> </tr> <tr> <td>APPR:</td> <td>XQZHANG</td> <td>2019/03/05</td> </tr> </table>		EC NO:	612733	2018/07/26	DRWN:	JFAN18	2019/03/05	CHK'D:	XQZHANG	2019/03/05	APPR:	XQZHANG	2019/03/05	<table border="1"> <tr> <td colspan="3">HDMI FOR INSERT MODLING TYPE</td> </tr> <tr> <td colspan="3">PRODUCT CUSTOMER DRAWING</td> </tr> <tr> <td>DOCUMENT NUMBER</td> <td>DOC TYPE</td> <td>DOC PART</td> <td>REVISION</td> </tr> <tr> <td>476591010</td> <td>PSD</td> <td>000</td> <td>A</td> </tr> </table>			HDMI FOR INSERT MODLING TYPE			PRODUCT CUSTOMER DRAWING			DOCUMENT NUMBER	DOC TYPE	DOC PART	REVISION
DIMENSION UNITS	SCALE																																														
mm	5:1																																														
ANGULAR TOL	± 3.0°																																														
4 PLACES	±																																														
3 PLACES	± 0.25																																														
2 PLACES	± 0.25																																														
1 PLACE	±																																														
0 PLACES	±																																														
EC NO:	612733	2018/07/26																																													
DRWN:	JFAN18	2019/03/05																																													
CHK'D:	XQZHANG	2019/03/05																																													
APPR:	XQZHANG	2019/03/05																																													
HDMI FOR INSERT MODLING TYPE																																															
PRODUCT CUSTOMER DRAWING																																															
DOCUMENT NUMBER	DOC TYPE	DOC PART	REVISION																																												
476591010	PSD	000	A																																												
<table border="1"> <tr> <td>INITIAL REVISION:</td> <td>2018/07/26</td> </tr> <tr> <td>DRWN: JFAN18</td> <td>2019/03/05</td> </tr> <tr> <td>APPR: XQZHANG</td> <td></td> </tr> </table>		INITIAL REVISION:	2018/07/26	DRWN: JFAN18	2019/03/05	APPR: XQZHANG		<table border="1"> <tr> <td>MATERIAL NUMBER</td> <td>CUSTOMER</td> <td>SHEET NUMBER</td> </tr> <tr> <td>SEE TABLE</td> <td></td> <td>1 OF 1</td> </tr> </table>		MATERIAL NUMBER	CUSTOMER	SHEET NUMBER	SEE TABLE		1 OF 1	<table border="1"> <tr> <td>THIRD ANGLE PROJECTION</td> <td>DRAWING</td> <td>SERIES</td> <td>MATERIAL NUMBER</td> <td>CUSTOMER</td> <td>SHEET NUMBER</td> </tr> <tr> <td> </td> <td>A3-SIZE</td> <td>47659</td> <td>SEE TABLE</td> <td></td> <td>1 OF 1</td> </tr> </table>			THIRD ANGLE PROJECTION	DRAWING	SERIES	MATERIAL NUMBER	CUSTOMER	SHEET NUMBER		A3-SIZE	47659	SEE TABLE		1 OF 1																	
INITIAL REVISION:	2018/07/26																																														
DRWN: JFAN18	2019/03/05																																														
APPR: XQZHANG																																															
MATERIAL NUMBER	CUSTOMER	SHEET NUMBER																																													
SEE TABLE		1 OF 1																																													
THIRD ANGLE PROJECTION	DRAWING	SERIES	MATERIAL NUMBER	CUSTOMER	SHEET NUMBER																																										
	A3-SIZE	47659	SEE TABLE		1 OF 1																																										