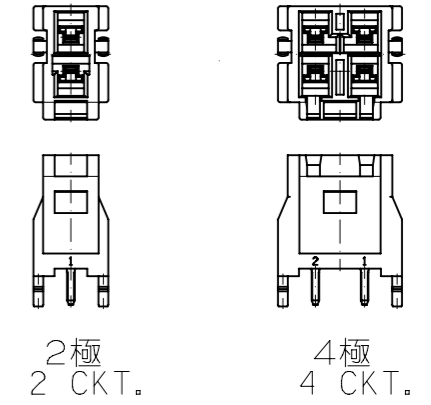
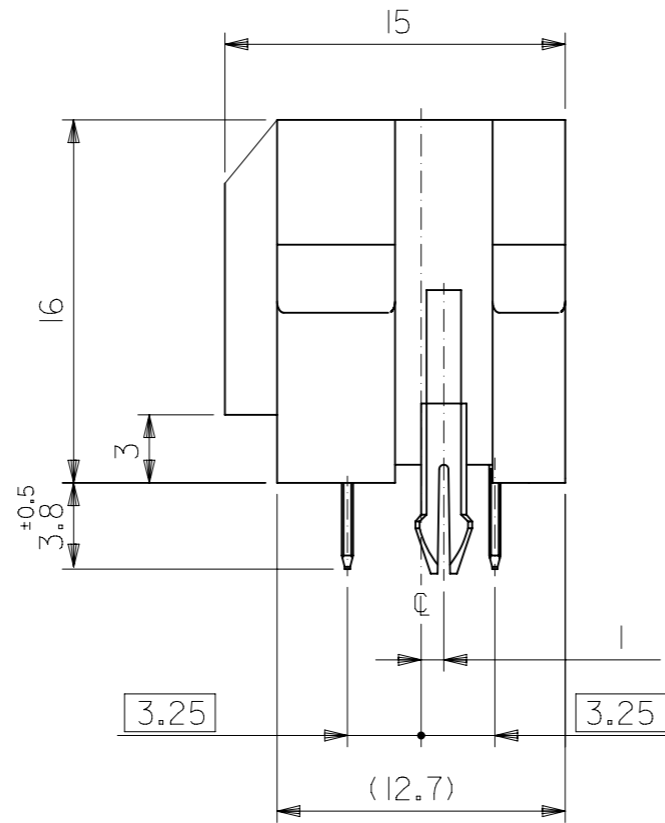
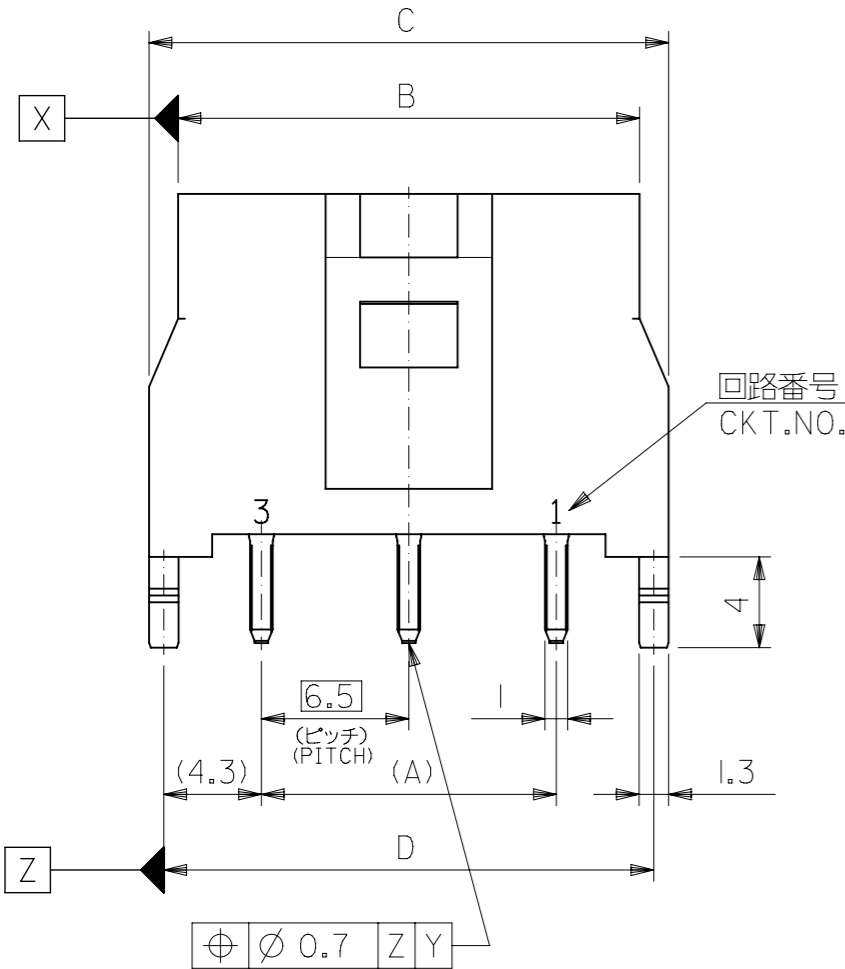


基板取り付け穴推奨寸法 (マウント面)  
(基板厚: t1.6mm)  
RECOMMENDED P.C. BOARD HOLE  
DIM. (MOUNTING SIDE)  
(THK.: t1.6mm)



ロック形状図  
LOCK CONFIGURATION



注記  
NOTES

- 1 嵌合相手: 51142シリーズ  
MATE WITH: 51142 SERIES
- 2 材質 MATERIAL  
ピン: 銅合金, ニッケル下地錫メッキ (t0.5)  
PIN: COPPER ALLOY, TIN OVER NICKEL PLATED (t0.5)  
ヘッダー: 66NYLON (ガラス入: 25%), UL94V-0  
HEADER: 66NYLON(G.F.: 25%), UL94V-0
- 3 本製品は 53721-\*\*10 の鉛フリー品である。  
THIS PRODUCT IS LEAD FREE OF 53721-\*\*10.

53721-\*\*10  
PENDING APPROVAL  
MODEL NO.

53721-**10 MODEL NO.	7.34 E	8.6 D	9.9 C	7.34 B	—#— A	53721-0270 MATERIAL NO.	2 極数 CKT.
THIS DRAWING CONTAINS INFORMATION THAT IS PROPRIETARY TO MOLEX ELECTRONIC TECHNOLOGIES, LLC AND SHOULD NOT BE USED WITHOUT WRITTEN PERMISSION							
DIMENSION UNITS		SCALE		CURRENT REV DESC: OBSOLETE PART NO			
mm		NTS		<b>molex</b> 6.5 WIRE TO BOARD CONN. HEADER ASSY (WITH PEG) -LEAD FREE- PRODUCT CUSTOMER DRAWING			
GENERAL TOLERANCES (UNLESS SPECIFIED)							
角度 ANGLE	±3°	4 PLACES	±	EC NO: 610661			
30 以上 OVER	±0.3	3 PLACES	±	DRWN: AKUMAR19 2018/12/06			
10 以上 30 未満 OVER UNDER	±0.25	2 PLACES	±	CHK'D:			
10 未満 UNDER	±0.2	1 PLACE	±	APPR:			
一般公差 GENERAL TOLERANCES		0 PLACES	±	INITIAL REVISION:			
		ANGULAR TOL	± °	DRWN: M.NABEI 2004/04/06			
		DRAFT WHERE APPLICABLE MUST REMAIN WITHIN DIMENSIONS		THIRD ANGLE PROJECTION		DRAWING	SERIES
				A3-SIZE		53721	MATERIAL NUMBER
				SEE TABLE		GENERAL MARKET	CUSTOMER
				1 OF 1		SHEET NUMBER	