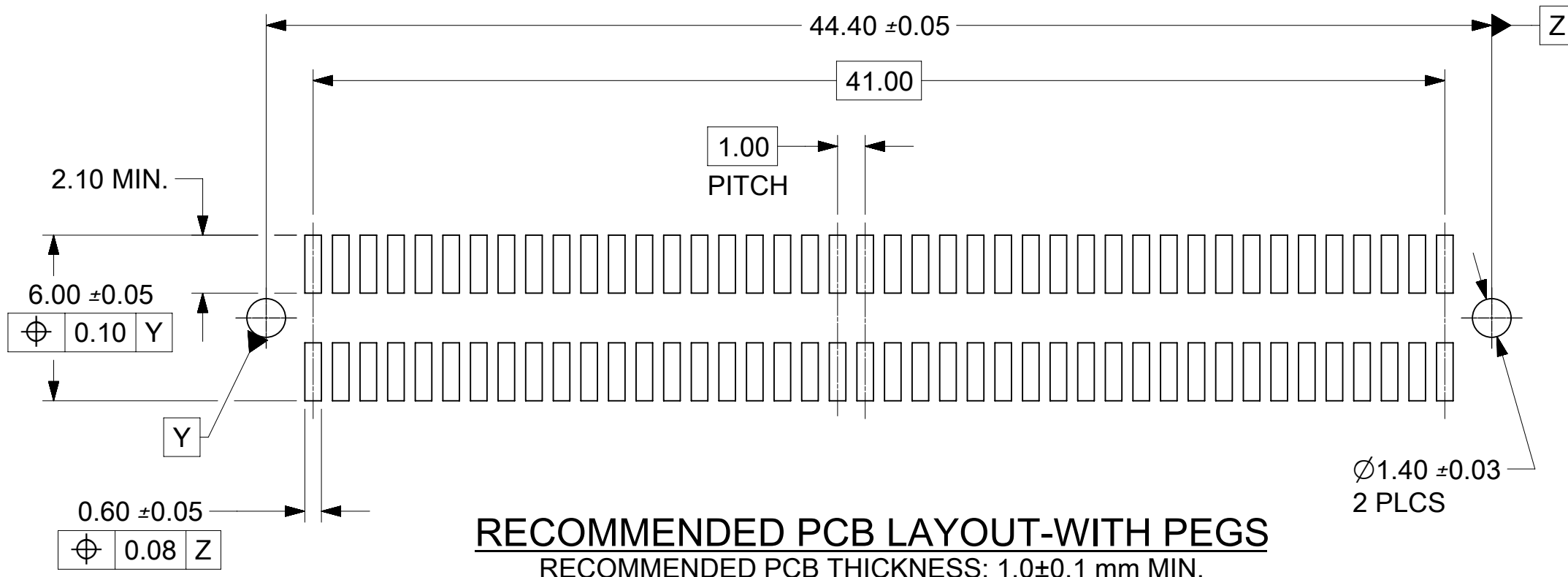
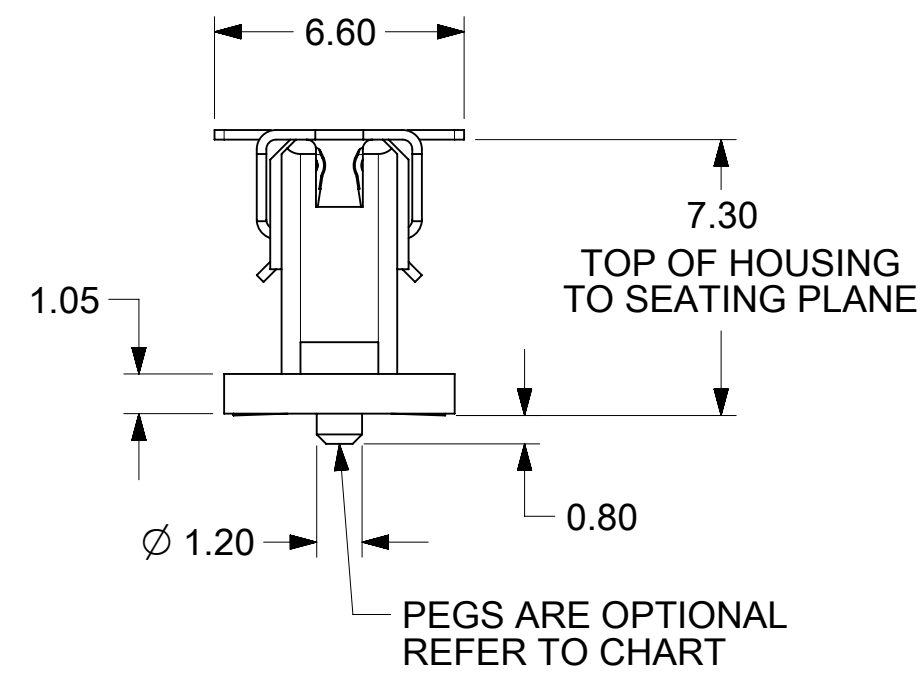
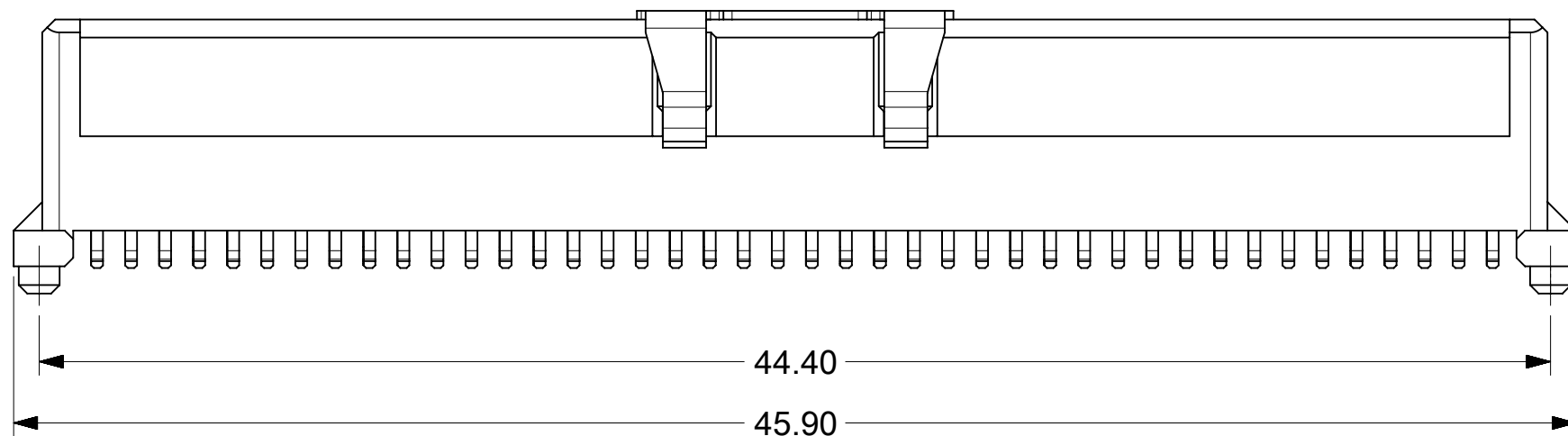
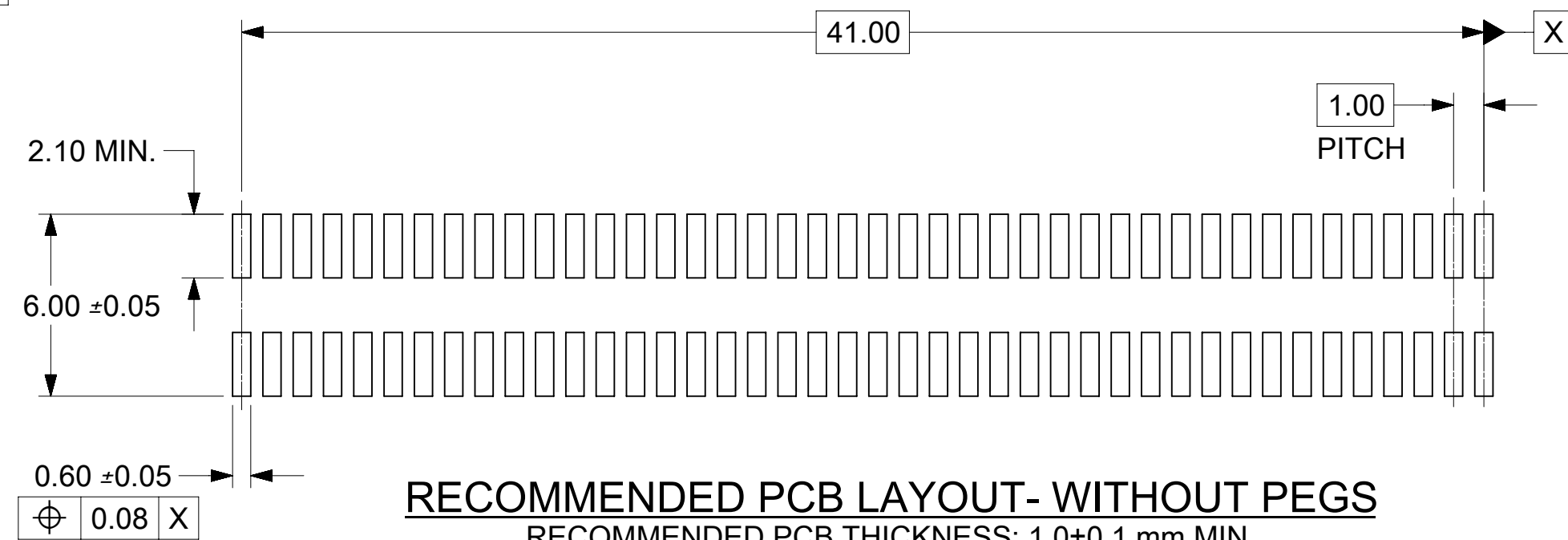


NOTES:

- HOUSING MATERIAL : G.F. THERMOPLASTIC; UL RATING ; 94V-0; COLOR: WHITE.
 TERMINAL MATERIAL: PHOSPHOR BRONZE.
 VACUUM CAP MATERIAL: STAINLESS STEEL.
- COPLANARITY OF SMT TAILS: 0.10 MAX.
- PACKAGING SPECIFICATION : REFER TO CHART.



RECOMMENDED PCB LAYOUT-WITH PEGS
 RECOMMENDED PCB THICKNESS: 1.0±0.1 mm MIN.



RECOMMENDED PCB LAYOUT- WITHOUT PEGS
 RECOMMENDED PCB THICKNESS: 1.0±0.1 mm MIN.

PLATINGS:

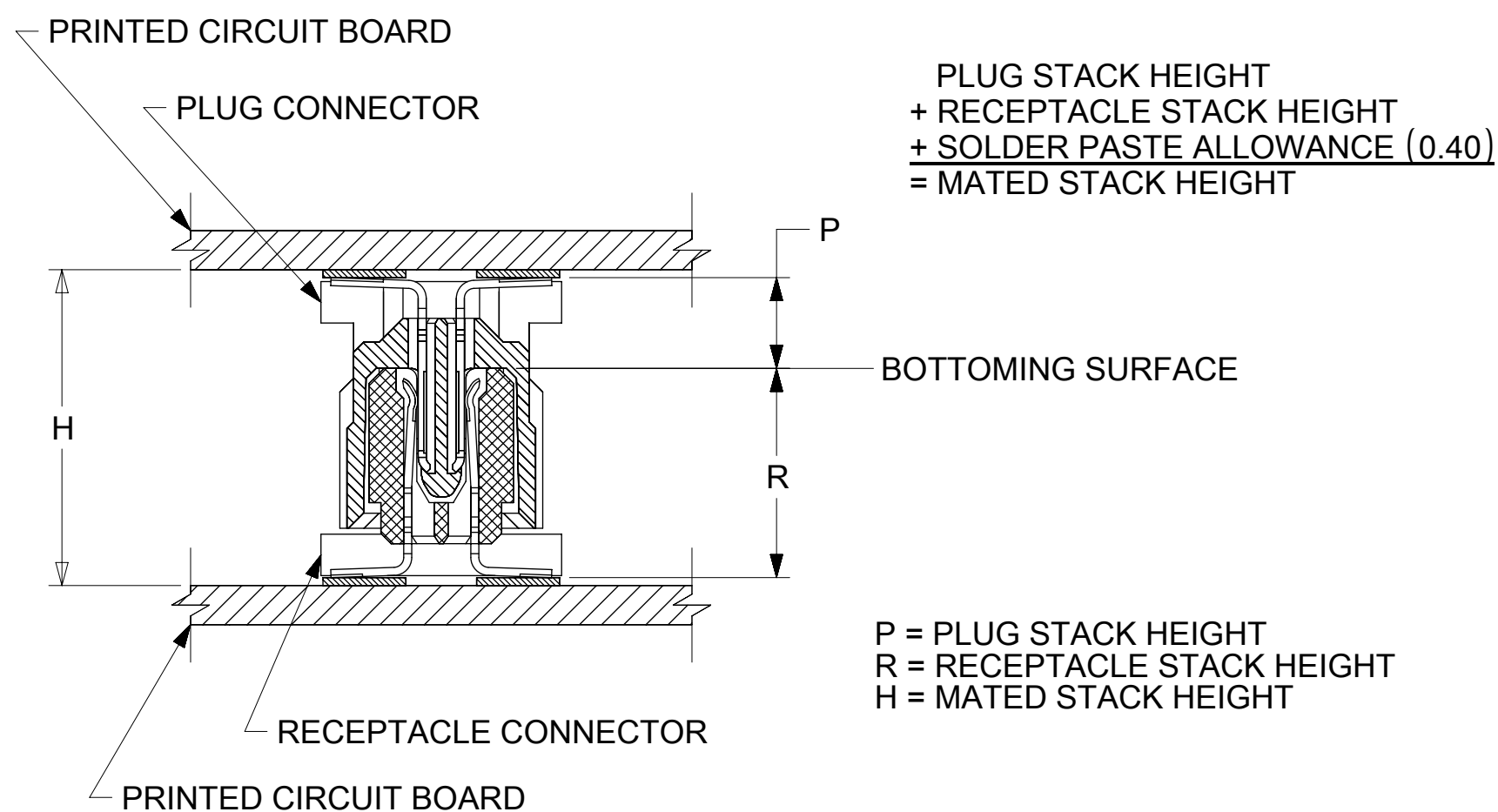
- X21 - .76 MICROMETERS MINIMUM GOLD PLATE IN SELECT AREA,
 1.91 MICROMETERS MINIMUM TIN PLATE IN SELECT AREA, OVER
 NICKEL UNDERPLATE.
- X71 - .25 MICROMETERS MINIMUM GOLD PLATE IN SELECT AREA,
 1.02 MICROMETERS MINIMUM TIN PLATE IN SELECT AREA, OVER
 NICKEL UNDERPLATE.

THIS DRAWING CONTAINS INFORMATION THAT IS PROPRIETARY TO MOLEX ELECTRONIC TECHNOLOGIES, LLC AND SHOULD NOT BE USED WITHOUT WRITTEN PERMISSION											
SYMBOLS		DIMENSION UNITS		SCALE		CURRENT REV DESC: REDRAWN IN NX					
▽ = 0		mm		5:1		molex SALES ASSY, 1.0MM 84 CKT BTB RECEPTACLE CONNECTOR 7.30 STACK HEIGHT PRODUCT CUSTOMER DRAWING					
▽ = 0		GENERAL TOLERANCES (UNLESS SPECIFIED)									
▽ = 0		ANGULAR TOL ± 0.5°									
▽ = 0		4 PLACES ±									
▽ = 0		3 PLACES ±				EC NO: 610884		DRWN: TTAO03		2018/12/10	
▽ = 0		2 PLACES ± 0.25				CHK'D: JKACHLIC		APPR: JKACHLIC		2019/02/01	
▽ = 0		1 PLACE ±				INITIAL REVISION:					
▽ = 0		0 PLACES ±				DRWN: JRR		APPR: CAB		95/08/14	
▽ = 0		DRAFT WHERE APPLICABLE MUST REMAIN WITHIN DIMENSIONS				THIRD ANGLE PROJECTION		DRAWING		SERIES	
▽ = 0		C-SIZE		71742		MATERIAL NUMBER		CUSTOMER		SHEET NUMBER	
▽ = 0		SEE TABLE		GENERAL MARKET		717422000		PSD 000		A1	

PART NUMBER	PEGS	PICK & PLACE CAP	PACKAGING SPEC. NUMBER	PACKAGING TYPE	TERMINAL PLATING SEE SHEET 1
71742-2001	YES	YES	PK-70873-063	TAPE & REEL	X71
71742-2002	YES	NO	PK-70873-0601	TUBES	X71
71742-2003	YES	YES	PK-70873-063	TAPE & REEL	X21
71742-2004	YES	NO	PK-70873-0601	TUBES	X21

RECOMMENDED PLUG/RECEPTACLE COMBINATION FOR MATED STACK HEIGHT PER EIA STANDARD 700 AAAB

MATED STACK HEIGHT	RECEPTACLE		PLUG		
	STACK HEIGHT	SERIES NUMBER	OVERALL HEIGHT	STACK HEIGHT	SERIES NUMBER
12.00	7.30	71742-2***	8.30	4.30	71741-0***
10.00			6.30	2.30	71741-2***



SYMBOLS										THIS DRAWING CONTAINS INFORMATION THAT IS PROPRIETARY TO MOLEX ELECTRONIC TECHNOLOGIES, LLC AND SHOULD NOT BE USED WITHOUT WRITTEN PERMISSION											
DIMENSION UNITS					SCALE					CURRENT REV DESC: REDRAWN IN NX											
mm																					
GENERAL TOLERANCES (UNLESS SPECIFIED)										EC NO: 610884											
ANGULAR TOL ± 0.5°										DRWN: TTAO03					2018/12/10						
4 PLACES ±										CHK'D: JKACHLIC					2019/02/01						
3 PLACES ±										APPR: JKACHLIC					2019/02/01						
2 PLACES ± 0.25										INITIAL REVISION:											
1 PLACE ±										DRWN: JRR					95/08/14						
0 PLACES ±										APPR: CAB					95/08/14						
DRAFT WHERE APPLICABLE MUST REMAIN WITHIN DIMENSIONS										THIRD ANGLE PROJECTION		DRAWING		SERIES		MATERIAL NUMBER		CUSTOMER		SHEET NUMBER	
= 0		= 0		= 0		= 0		= 0		= 0		= 0		= 0		= 0		= 0			
= 0		= 0		= 0		= 0		= 0		= 0		= 0		= 0		= 0		= 0			

DOCUMENT NUMBER			DOC TYPE			DOC PART			REVISION		
717422000			PSD			000			A1		
SEE TABLE			GENERAL MARKET			2 OF 2					