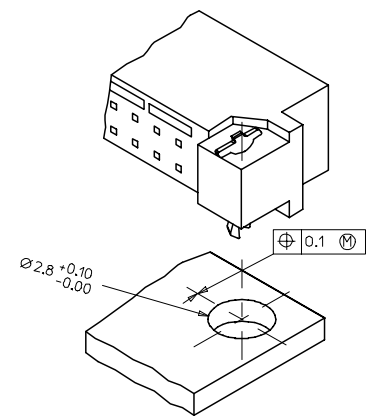
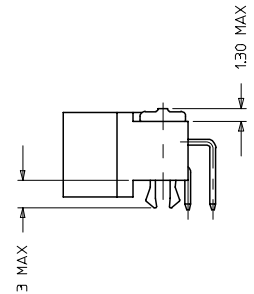


WITH MOUNTING CLIPS

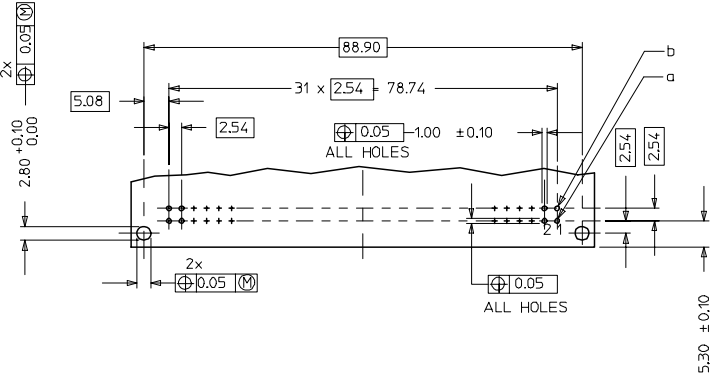
8:1



NOTES:

- MATERIALS: THERMX (PCT), GLASS FILLED, UL94V-0.COLOUR: NATURAL
TERMINAL - BRASS
MOUNTING CLIP: STEEL
- FINISH: TERMINAL-
CONTACT AREA
1. PERFORMANCE LEVEL 1: SELECTIVE GOLD (Au), THICKNESS = 1.1 MICROMETER
OVER NICKEL, THICKNESS = 1.25 MICROMETER
2. PERFORMANCE LEVEL 2: SELECTIVE GOLD (Au), THICKNESS = 0.6 MICROMETER
OVER NICKEL, THICKNESS = 1.25 MICROMETER
3. PERFORMANCE LEVEL 3: SELECTIVE GOLD (Au), THICKNESS = 0.3 MICROMETER
OVER NICKEL, THICKNESS = 1.25 MICROMETER
TERMINATION AREA:
SELECTIVE TIN, THICKNESS = 2.5 MICROMETER
OVER NICKEL, THICKNESS = 1.25 MICROMETER OVERALL
- MOUNTING CLIP:-
TIN (Sn), THICKNESS = 5-10 MICROMETER,
OVER NICKEL (Ni), THICKNESS = 2.5 MICROMETER
- FOR NON MOUNTING CLIP OPTION, CONNECTOR TO BE SECURED WITH
RIVETS: 2 TUBULAR RIVETS 2.5 x 0.3 _ DIN 7340
SCREWS: 2 CHEESEHEAD SCREWS M2.5 x _ DIN 84 AND 2 HEXAGONAL NUTS M2.5 DIN 934
- MATERIAL NUMBER, BATCH CODE, UL AND CSA MARKING
TO BE PRINTED ON THE CONNECTOR
- CUT FACE OF TIP WITHOUT PLATING PERMITTED
- PRODUCT SPECIFICATION PS : 85003-0001

RECOMMENDED PCB LAYOUT
COMPONENT SIDE



LMFB CONTACTS	4.2
FMLB CONTACTS	5.4
NORMAL CONTACTS	4.8
	M

RoHS COMPLIANT

ENTER DESCRIPTION ELC INC. 2007-0193 DRAWING NO. 2007/01108 CHECKED BY CHIKOSUDHIR APPROVED BY APPROPRIATE	QUALITY SYMBOLS ▽=0 ▽=0	GENERAL TOLERANCES (UNLESS SPECIFIED)		DIMENSION STYLE MM ONLY		SCALE 2:1	DESIGN UNITS METRIC	THIRD ANGLE PROJECTION
		4 PLACES ± --- ± --- 3 PLACES ± 0.05 ± --- 2 PLACES ± 0.1 ± --- 1 PLACE ± 0.15 ± ---	INCH ± --- ± --- ± ---	DRAWN BY SS	DATE 1999/10/14	CHECKED BY G J LOWE	DATE 1999/10/14	ASSEMBLY, DIN 41612, B MALE, 64 POS
DRAFT WHERE APPLICABLE MUST REMAIN WITHIN DIMENSIONS		SEE CHART		MATERIAL NO. SD-85001-0001		MOLEX INCORPORATED DOCUMENT NO.		
SIZE A 1		THIS DRAWING CONTAINS INFORMATION THAT IS PROPRIETARY TO MOLEX INCORPORATED AND SHOULD NOT BE USED WITHOUT WRITTEN PERMISSION						

